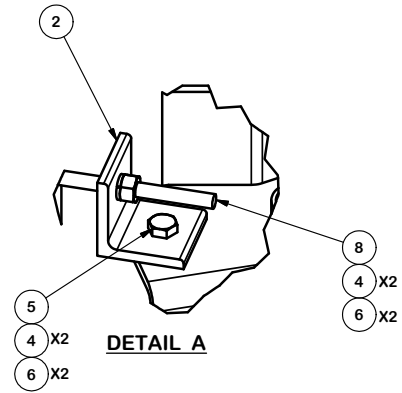


2-3/8" OR 4-1/2" O.D.
ANTENNA MOUNTING PIPES
(ORDERED SEPARATELY)

- 7
- 3 X2
- 4 X2
- 6 X2



- 5
- 4 X2
- 6 X2

PARTS LIST						
ITEM	QTY	PART NO.	PART DESCRIPTION	LENGTH	UNIT WT.	NET WT.
1	12	SHCM-W	CHAIN MOUNT WELDMENT		14.59	175.09
2	24	SHCM-T	CHAIN MOUNT TIGHTENER BRACKET	3 in	1.84	44.18
3	24	G12FW	1/2" HDG USS FLATWASHER		0.03	0.82
4	72	G12LW	1/2" HDG LOCKWASHER		0.01	1.00
5	24	G1202	1/2" x 2" HDG HEX BOLT GR5	2 in	0.18	4.22
6	72	G12NUT	1/2" HDG HEAVY 2H HEX NUT		0.07	5.15
7	12	X-UB1212	1/2" X 2-1/2" X 4-1/2" X 2" U-BOLT (HDG.)		0.73	8.78
7	12	X-UB1300	1/2" X 3" X 5" X 2" U-BOLT (HDG.)		0.73	8.78
8	12	G12R-12	1/2" x 12" THREADED ROD (HDG.)		0.55	6.59
8	12	G12R-24	1/2" x 24" THREADED ROD (HDG.)		1.34	16.06
TOTAL WT. #						270.41

TOLERANCE NOTES

TOLERANCES ON DIMENSIONS, UNLESS OTHERWISE NOTED ARE:
 SAWED, SHEARED AND GAS CUT EDGES ($\pm 0.030"$)
 DRILLED AND GAS CUT HOLES ($\pm 0.030"$) - NO CONING OF HOLES
 LASER CUT EDGES AND HOLES ($\pm 0.010"$) - NO CONING OF HOLES
 BENDS ARE $\pm 1/2$ DEGREE
 ALL OTHER MACHINING ($\pm 0.030"$)
 ALL OTHER ASSEMBLY ($\pm 0.060"$)

PROPRIETARY NOTE:
 THE DATA AND TECHNIQUES CONTAINED IN THIS DRAWING ARE PROPRIETARY INFORMATION OF VALMONT INDUSTRIES AND CONSIDERED A TRADE SECRET. ANY USE OR DISCLOSURE WITHOUT THE CONSENT OF VALMONT INDUSTRIES IS STRICTLY PROHIBITED.

DESCRIPTION
**6 SIDED MONOPOLE MOUNT
 FOR ROUND OR POLYGON POLES
 17-1/2" TO 56" DIA.**

CPD NO.	DRAWN BY	ENG. APPROVAL
	CEK 4/14/2014	
CLASS	SUB	DRAWING USAGE
81	01	CUSTOMER
	CHECKED BY	
	BMC 4/16/2014	

A valmont COMPANY

Locations:
 New York, NY
 Atlanta, GA
 Los Angeles, CA
 Plymouth, IN
 Salem, OR
 Dallas, TX

Engineering
 Support Team:
 1-888-753-7446

PART NO.	6CHMT	PAGE 1 OF 1
DWG. NO.	6CHMT	