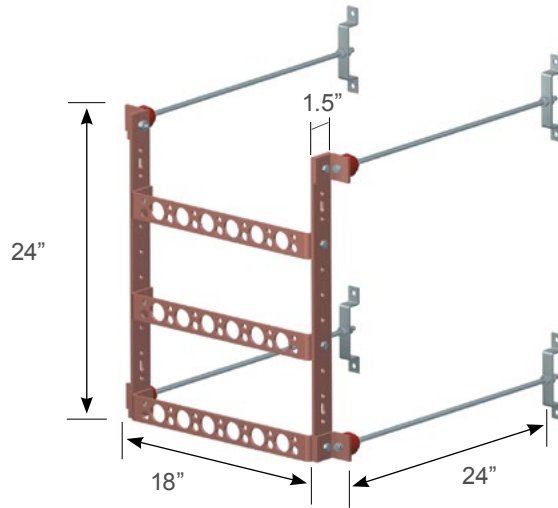


ATK306U: Arrestor Trapeze Kit



ATK306U

Features:

- Provides a versatile central ground point for lightning arrestors
- Height-adjustable bars are compatible with standard entry ports
- Accepts bulkhead or bolt-on surge arrestors

Construction:

- Manufactured from 1/4" thick solid 110 copper
- Includes Stainless Steel mounting hardware to accommodate ceiling or wall-mount applications
- 1-1/4", 5/8", and 3/8" mounting holes on 2-1/2" centers

Design Criteria:

- 3 levels allowing up to 6 arrestors per level

Part #	Description	Weight
ATK306U	Three-Level Arrestor Trapeze Kit	21.3 lb