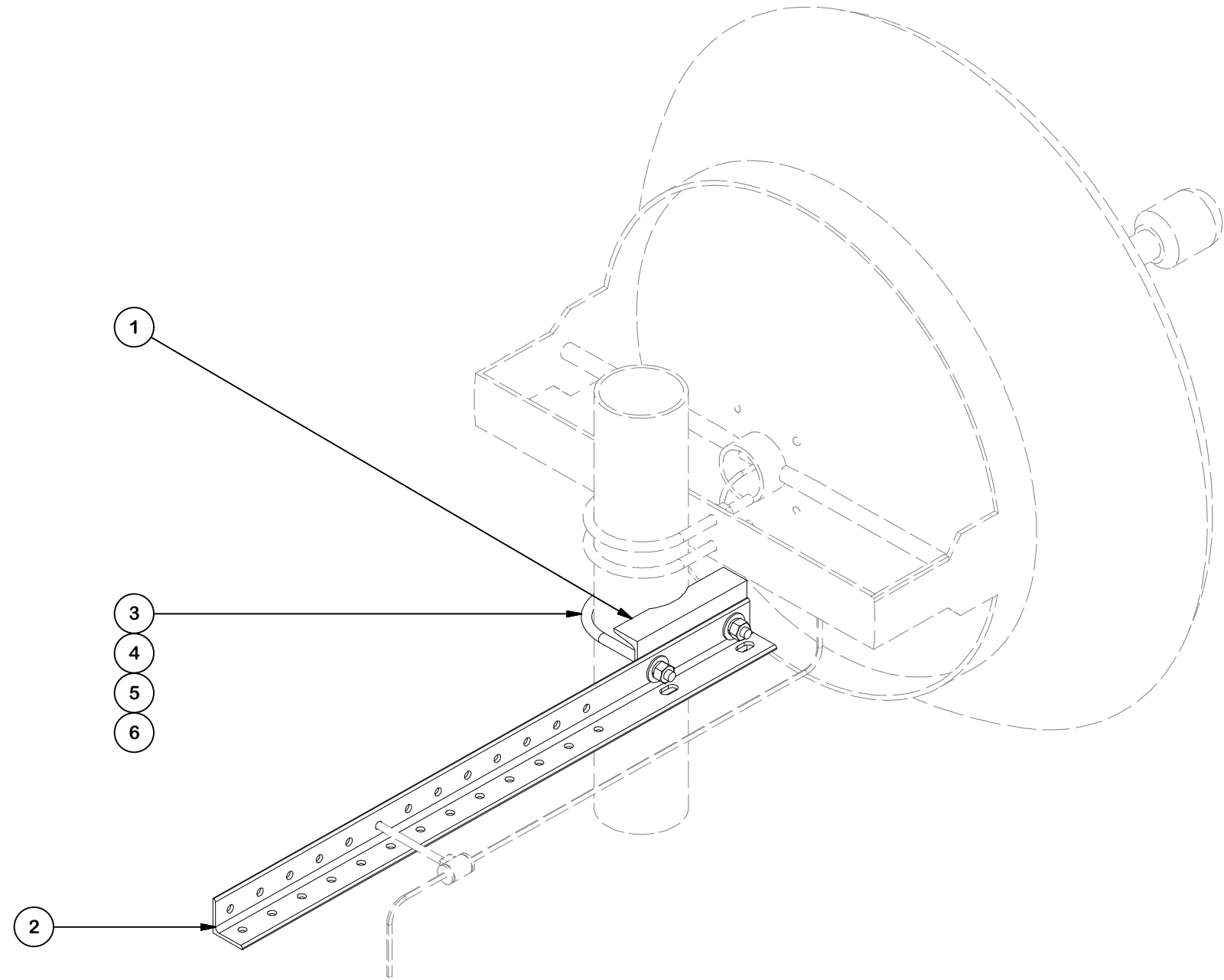


HEAVY STAMP
PART NUMBER

PARTS LIST						
ITEM	QTY	PART NO.	PART DESCRIPTION	LENGTH	UNIT WT.	NET WT.
1	1	X-B3582	CHANNEL WELDMENT		3.55	3.55
2	1	X-B3581-A1	2" x 2" x 3/16" ANGLE (A36)	36 in	7.82	7.82
3	1	X-UB1458	1/2" X 4-5/8" X 7" X 3" U-BOLT (HDG.)		0.97	0.97
4	2	G12FW	1/2" HDG USS FLATWASHER		0.03	0.07
5	2	G12LW	1/2" HDG LOCKWASHER		0.01	0.03
6	2	G12NUT	1/2" HDG HEAVY 2H HEX NUT		0.07	0.14
					TOTAL WT. #	12.59



FINISH:
HOT DIP GALVANIZED.

TOLERANCE NOTES

TOLERANCES ON DIMENSIONS, UNLESS OTHERWISE NOTED ARE:
 SAWED, SHEARED AND GAS CUT EDGES ($\pm 0.030''$)
 DRILLED AND GAS CUT HOLES ($\pm 0.030''$) - NO CONING OF HOLES
 LASER CUT EDGES AND HOLES ($\pm 0.010''$) - NO CONING OF HOLES
 BENDS ARE $\pm 1/2$ DEGREE
 ALL OTHER MACHINING ($\pm 0.030''$)
 ALL OTHER ASSEMBLY ($\pm 0.060''$)

PROPRIETARY NOTE:
 THE DATA AND TECHNIQUES CONTAINED IN THIS DRAWING ARE PROPRIETARY INFORMATION OF VALMONT INDUSTRIES AND CONSIDERED A TRADE SECRET. ANY USE OR DISCLOSURE WITHOUT THE CONSENT OF VALMONT INDUSTRIES IS STRICTLY PROHIBITED.

DESCRIPTION
**ANTENNA WAVEGUIDE
 SUPPORT BRACKET**

CPD NO. SP1	DRAWN BY CSL 11/12/2018	ENG. APPROVAL 12/4/2018
CLASS 81	SUB 02	DRAWING USAGE CUSTOMER
CHECKED BY BMC 12/4/2018		

SITE PRO 1
 A valmont COMPANY

Engineering Support Team:
 1-888-753-7446

Locations:
 New York, NY
 Atlanta, GA
 Los Angeles, CA
 Plymouth, IN
 Salem, OR
 Dallas, TX

PART NO. AWSB	PAGE 1 OF 1
DWG. NO. AWSB	