

BCxxx: Multi-Hole Barrel Cushions



Features:

- Designed to manage today's smaller coax cables, power cables, fiber, etc.
- Support multiple runs with single attachment point
- Can be individually installed using Butterfly Hangers or standard Snap-In Hangers, or grouped using Stackable Snap-In Hangers or Coax Blocks

Construction:

- Manufactured from UV-resistant EPDM rubber for durability in extreme conditions

Related Products:

- Butterfly Hangers, Snap-In Hangers, Stackable Snap-In Hangers

Part #	Cable Size & Type	# of Holes	Inch (mm) Hole Size		Mating Hanger Size	U of M	Weight
BC1410	1/4" Superflex & LMR240	10	0.24	(6)	1-5/8"	10 pk	2.8 lb
BC387	LMR-400, 3/8" Flex, & RG11U	7	0.40	(10)	1-5/8"	10 pk	2.4 lb
BC124	1/2" Coax	4	0.63	(16)	1-5/8"	10 pk	2.0 lb
BC582	LMR-900 & 5/8" Coax	2	0.84	(21)	1-5/8"	10 pk	2.0 lb
BC144582	(4) 1/4" Superflex/LMR240, (2) LMR-900 & 5/8" Coax	6	0.24 0.84	(6) (21)	2-1/4"	10 pk	2.0 lb
BC144122	(4) 1/4" Superflex & LMR240, (2) 1/2" Coax	6	0.24 0.63	(6) (16)	1-5/8"	10 pk	2.5 lb
BC384122	(4) LMR-400, 3/8" Flex, & RG11U, (2) 1/2" Coax	6	0.40 0.63	(10) (16)	1-5/8"	10 pk	2.0 lb
BC144384	(4) 1/4" Superflex & LMR240, (4) LMR-400, 3/8" Flex, & RG11U	8	0.24 0.40	(6) (10)	1-5/8"	10 pk	2.0 lb

BCxxx: Multi-Hole Barrel Cushions

INSTALLATION INSTRUCTIONS

©2017

Barrel Cushions and Cushion Inserts
for Cable Applications

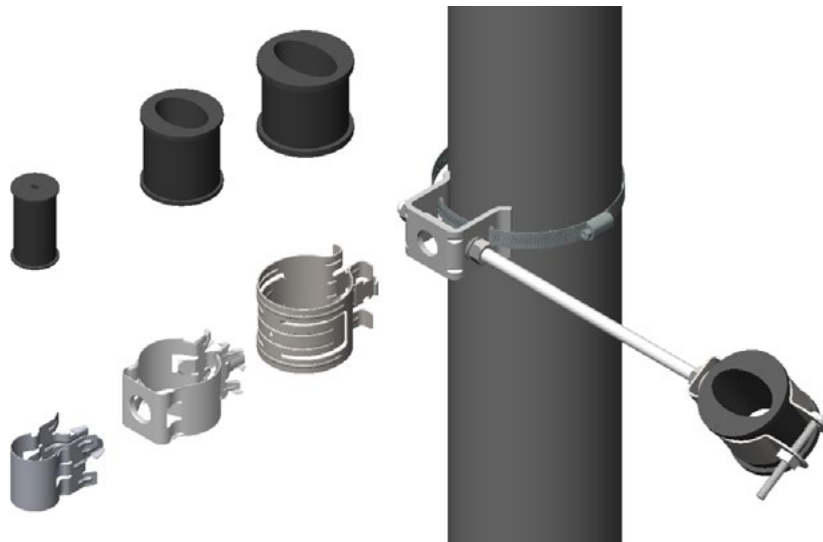
1768 IB A

PRODUCT DESCRIPTION

Barrel Cushions provide versatility in all applications reducing material and installation costs by having multiple holes in a single cushion with a single attachment point. The unique design allows them to be individually installed utilizing Butterfly Hangers or stacked out with Stackable Hangers and Mini Cable Blocks. Barrel Cushions are constructed from UV-resistant EPDM rubber which is durable in extreme temperatures and harsh environmental conditions. Barrel Cushions are available in multiple sizes to accommodate what the industry demands for installation of all of your Fiber, Power, Elliptical, and Coaxial Cable requirements.

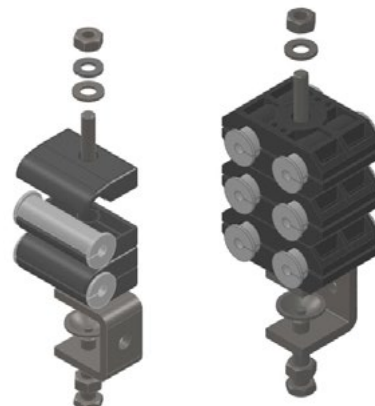
CIN Cushion Inserts provide versatility in all applications reducing material and installation costs. The unique design allows them to be individually installed utilizing Butterfly Hangers, and stacked out with Stackable Hangers or Cable Blocks. CIN Cushions are constructed from UV-resistant EPDM rubber which is durable in extreme temperatures and harsh environmental conditions. CIN Cushions are available in multiple sizes to accommodate what the industry demands for installation of all of your Fiber, Power, Elliptical, and Coaxial Cable requirements.

TYPICAL APPLICATIONS



INSERTION DIRECTIONS

1. Insert barrel cushion around cable or cables that are being supported.
2. Install hanger option around barrel cushion and mount entire assembly into place.

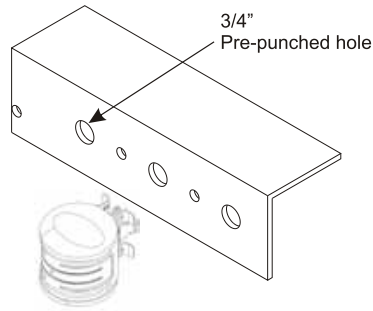
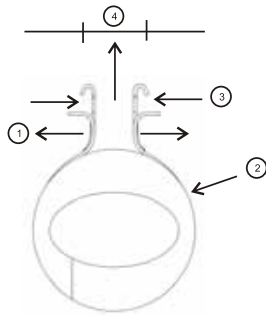


BCxxx: Multi-Hole Barrel Cushions

TYPICAL APPLICATIONS

INSERTION DIRECTIONS

- ① Spread Hanger Open
- ② Insert Cushion
- ③ Squeeze hanger
- ④ Insert into hole



NOTE: Thickness of pre-punched member: .120" - .135" (3.0mm -)

