

PARTS LIST						
ITEM	QTY	PART NO.	PART DESCRIPTION	LENGTH	UNIT WT.	NET WT.
1	2	X-BPM	BANNER PIPE MOUNT LARGE BACKING PLATE	12 in	19.60	39.19
2	2	X-BPMBP	BANNER PIPE MOUNT BACKING PLATE	12 in	6.33	12.65
3	4	X-BPMSp	BANNER PIPE MOUNT SPACER PIPE	3 15/16 in	0.30	1.19
4	6	X-BPMP30	BANNER PIPE MOUNT PIPE	25 in	3.26	19.57
5	4	X-BPMCA	BANNER PIPE MOUNT CLIP ANGLE	1 1/2 in	0.58	2.33
6	6	G12R-28	1/2" x 28" GALV. THREADED ROD		1.56	9.37
7	8	G12R-15	1/2" x 15" GALV. THREADED ROD		0.84	6.69
8	2	X-UB1212	1/2" X 2-1/2" X 4-1/2" X 2" U-BOLT (HDG.)		0.60	1.19
9	4	G1206	1/2" x 5.5" HDG HEX BOLT GR5 FULL THREAD	2 in	0.35	1.41
10	20	G12FW	1/2" HDG USS FLATWASHER	3/32 in	0.03	0.68
11	36	G12LW	1/2" HDG LOCKWASHER	1/8 in	0.01	0.50
12	36	G12NUT	1/2" HDG HEAVY 2H HEX NUT		0.07	2.58
13	4	X-BALLPL	BLACK PLASTIC BALL		1.03	4.11
					TOTAL WT. #	101.47

**TOLERANCE NOTES**

TOLERANCES ON DIMENSIONS, UNLESS OTHERWISE NOTED ARE:  
 SAWED, SHEARED AND GAS CUT EDGES ( $\pm 0.030"$ )  
 DRILLED AND GAS CUT HOLES ( $\pm 0.030"$ ) - NO CONING OF HOLES  
 LASER CUT EDGES AND HOLES ( $\pm 0.010"$ ) - NO CONING OF HOLES  
 BENDS AND ANGLES ARE  $\pm 1/2$  DEGREE  
 ALL OTHER MACHINING ( $\pm 0.030"$ )  
 ALL OTHER ASSEMBLY ( $\pm 0.060"$ )

PROPRIETARY NOTE:  
 THE DATA AND TECHNIQUES CONTAINED IN THIS DRAWING ARE PROPRIETARY INFORMATION OF VALMONT INDUSTRIES AND CONSIDERED A TRADE SECRET. ANY USE OR DISCLOSURE WITHOUT THE CONSENT OF VALMONT INDUSTRIES IS STRICTLY PROHIBITED.

DESCRIPTION  
 24" BANNER PIPE MOUNT

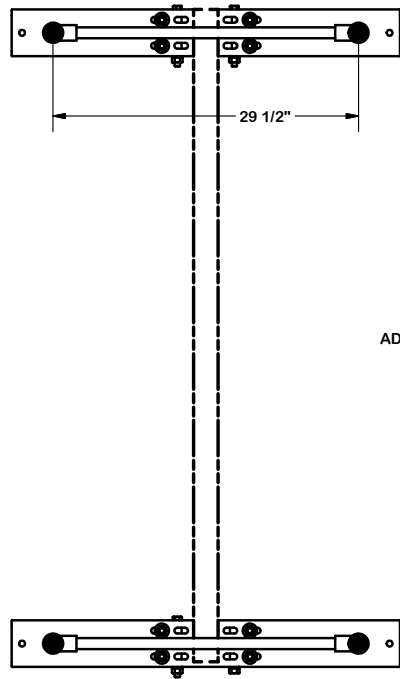
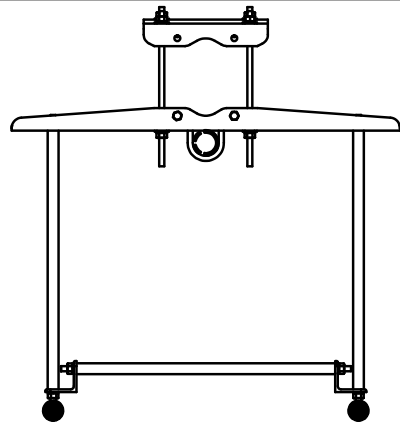
**SITE PRO 1**  
 Engineering Support Team:  
 1-888-753-7446

Locations:  
 New York, NY  
 Atlanta, GA  
 Los Angeles, CA  
 Plymouth, IN  
 Salem, OR  
 Dallas, TX  
 Tampa, FL

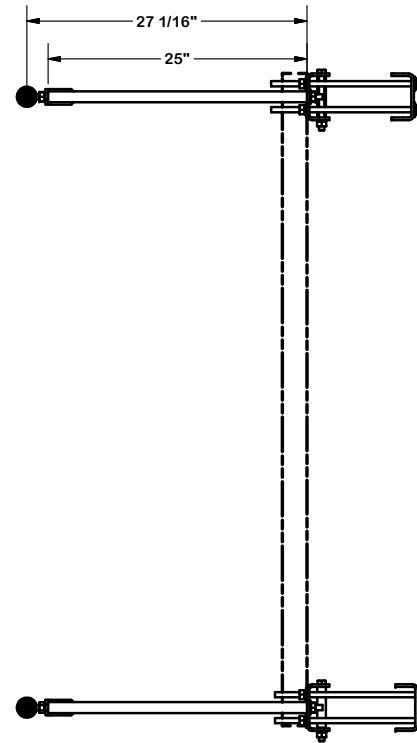
A valmont COMPANY

CPD NO.	DRAWN BY	ENG. APPROVAL
CLASS	DRAWING USAGE	CHECKED BY
81	02	CUSTOMER
		BMC 5/14/2019

PART NO.	BPM-24
DWG. NO.	BPM-24



ADJUSTABLE



**TOLERANCE NOTES**

TOLERANCES ON DIMENSIONS, UNLESS OTHERWISE NOTED ARE:  
 SAWED, SHEARED AND GAS CUT EDGES ( $\pm 0.030"$ )  
 DRILLED AND GAS CUT HOLES ( $\pm 0.030"$ ) - NO CONING OF HOLES  
 LASER CUT EDGES AND HOLES ( $\pm 0.010"$ ) - NO CONING OF HOLES  
 BENDS AND ANGLES ARE  $\pm 1/2$  DEGREE  
 ALL OTHER MACHINING ( $\pm 0.030"$ )  
 ALL OTHER ASSEMBLY ( $\pm 0.060"$ )

PROPRIETARY NOTE:  
 THE DATA AND TECHNIQUES CONTAINED IN THIS DRAWING ARE PROPRIETARY INFORMATION OF VALMONT INDUSTRIES AND CONSIDERED A TRADE SECRET. ANY USE OR DISCLOSURE WITHOUT THE CONSENT OF VALMONT INDUSTRIES IS STRICTLY PROHIBITED.

DESCRIPTION  
 24" BANNER  
 PIPE MOUNT

CPD NO.	DRAWN BY CEK	5/9/2019	ENG. APPROVAL
CLASS 81	SUB 02	DRAWING USAGE CUSTOMER	CHECKED BY BMC 5/14/2019

**SITE PRO 1**  
 A valmont COMPANY

Locations:  
 New York, NY  
 Atlanta, GA  
 Los Angeles, CA  
 Plymouth, IN  
 Salem, OR  
 Dallas, TX  
 Tampa, FL

Engineering Support Team:  
 1-888-753-7446

PART NO.	BPM-24
DWG. NO.	BPM-24