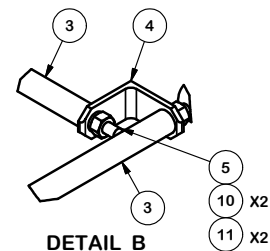
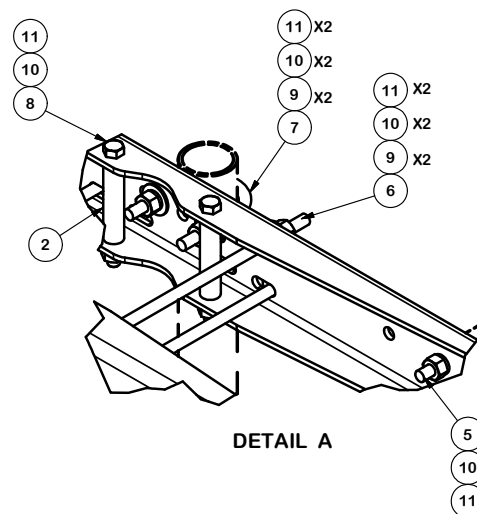


2-3/8" TO 3-1/2" O.D.  
ANTENNA MOUNTING PIPE  
(PURCHASED SEPARATELY)

FITS POLES  
3-1/2" TO 9-1/2" DIA.

PARTS LIST						
ITEM	QTY	PART NO.	PART DESCRIPTION	LENGTH	UNIT WT.	NET WT.
1	4	X-BPM	BANER PIPE MOUNT LARGE BACKING PLATE	12 in	19.60	78.39
2	8	X-BPMSP	BANNER PIPE MOUNT SPACER PIPE	3 15/16 in	0.30	2.37
3	12	X-BPMP30	BANNER PIPE MOUNT PIPE	25 in	3.26	39.14
4	8	X-BPMCA	BANNER PIPE MOUNT CLIP ANGLE	1 1/2 in	0.58	4.65
5	12	G12R-28	1/2" x 28" GALV. THREADED ROD		1.56	18.73
6	8	G12R-15	1/2" x 15" THREADED ROD (HDG.)		0.84	6.69
7	4	X-UB1212	1/2" X 2-1/2" X 4-1/2" X 2" U-BOLT (HDG.)		0.60	2.39
8	8	G1206	1/2" x 5.5" HDG HEX BOLT GR5 FULL THREAD	2 in	0.35	2.83
9	24	G12FW	1/2" HDG USS FLATWASHER	3/32 in	0.03	0.82
10	56	G12LW	1/2" HDG LOCKWASHER	1/8 in	0.01	0.78
11	56	G12NUT	1/2" HDG HEAVY 2H HEX NUT		0.07	4.01
12	8	X-BALLPL	BLACK PLASTIC BALL		1.03	8.23
TOTAL WT. #						169.04



**TOLERANCE NOTES**

TOLERANCES ON DIMENSIONS, UNLESS OTHERWISE NOTED ARE:  
 SAWED, SHEARED AND GAS CUT EDGES ( $\pm 0.030"$ )  
 DRILLED AND GAS CUT HOLES ( $\pm 0.030"$ ) - NO CONING OF HOLES  
 LASER CUT EDGES AND HOLES ( $\pm 0.010"$ ) - NO CONING OF HOLES  
 BENDS AND ANGLES ARE  $\pm 1/2$  DEGREE  
 ALL OTHER MACHINING ( $\pm 0.030"$ )  
 ALL OTHER ASSEMBLY ( $\pm 0.060"$ )

PROPRIETARY NOTE:  
 THE DATA AND TECHNIQUES CONTAINED IN THIS DRAWING ARE PROPRIETARY INFORMATION OF VALMONT INDUSTRIES AND CONSIDERED A TRADE SECRET. ANY USE OR DISCLOSURE WITHOUT THE CONSENT OF VALMONT INDUSTRIES IS STRICTLY PROHIBITED.

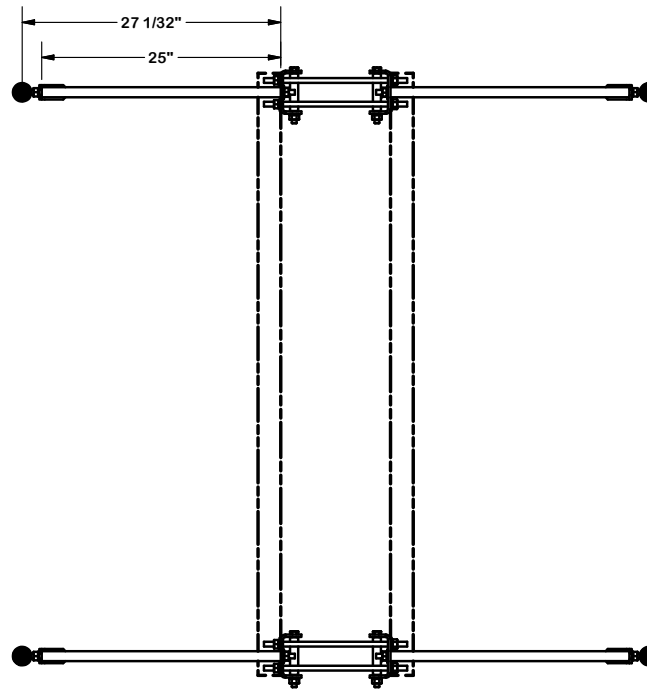
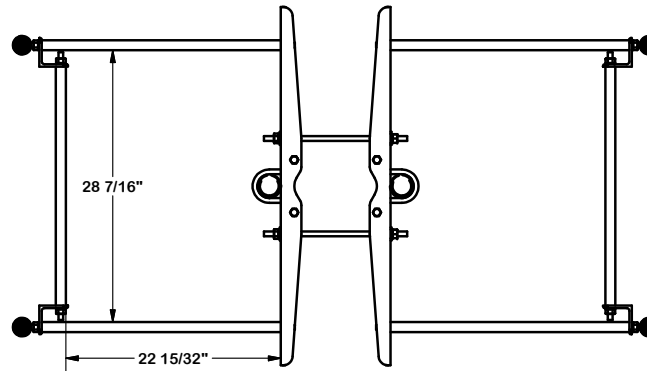
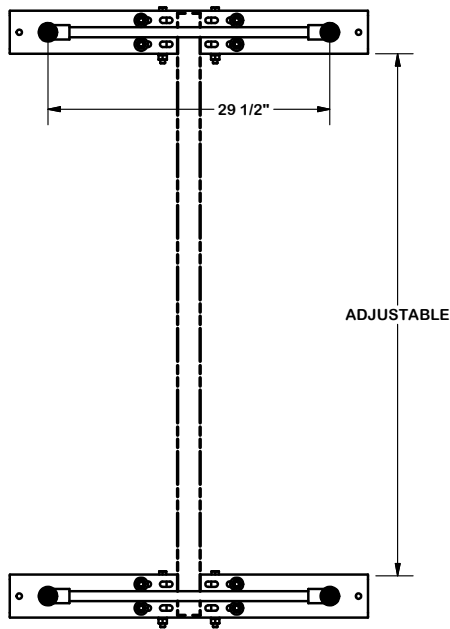
DESCRIPTION  
 24" DOUBLE SIDED  
 BANNER PIPE MOUNT

**SITE PRO 1**  
 Engineering Support Team:  
 1-888-753-7446

Locations:  
 New York, NY  
 Atlanta, GA  
 Los Angeles, CA  
 Plymouth, IN  
 Salem, OR  
 Dallas, TX  
 Tampa, FL

CPD NO.	DRAWN BY CEK	5/9/2019	ENG. APPROVAL
CLASS 81	SUB 02	DRAWING USAGE CUSTOMER	CHECKED BY BMC 5/14/2019

PART NO.	BPM-D24
DWG. NO.	BPM-D24



**TOLERANCE NOTES**

TOLERANCES ON DIMENSIONS, UNLESS OTHERWISE NOTED ARE:  
 SAWED, SHEARED AND GAS CUT EDGES ( $\pm 0.030"$ )  
 DRILLED AND GAS CUT HOLES ( $\pm 0.030"$ ) - NO CONING OF HOLES  
 LASER CUT EDGES AND HOLES ( $\pm 0.010"$ ) - NO CONING OF HOLES  
 BENDS AND ANGLES ARE  $\pm 1/2$  DEGREE  
 ALL OTHER MACHINING ( $\pm 0.030"$ )  
 ALL OTHER ASSEMBLY ( $\pm 0.060"$ )

PROPRIETARY NOTE:  
 THE DATA AND TECHNIQUES CONTAINED IN THIS DRAWING ARE PROPRIETARY INFORMATION OF VALMONT INDUSTRIES AND CONSIDERED A TRADE SECRET. ANY USE OR DISCLOSURE WITHOUT THE CONSENT OF VALMONT INDUSTRIES IS STRICTLY PROHIBITED.

DESCRIPTION  
 24" DOUBLE SIDED  
 BANNER PIPE MOUNT

CPD NO.	DRAWN BY CEK	5/9/2019	ENG. APPROVAL
CLASS 81	SUB 02	DRAWING USAGE CUSTOMER	CHECKED BY BMC 5/14/2019

**SITE PRO 1**  
 A valmont COMPANY

Locations:  
 New York, NY  
 Atlanta, GA  
 Los Angeles, CA  
 Plymouth, IN  
 Salem, OR  
 Dallas, TX  
 Tampa, FL

Engineering Support Team:  
 1-888-753-7446

PART NO.	BPM-D24	PAGE	2 OF 2
DWG. NO.	BPM-D24		