

LOADING CONSIDERED:

DEAD LOADS: SELF-WEIGHT.

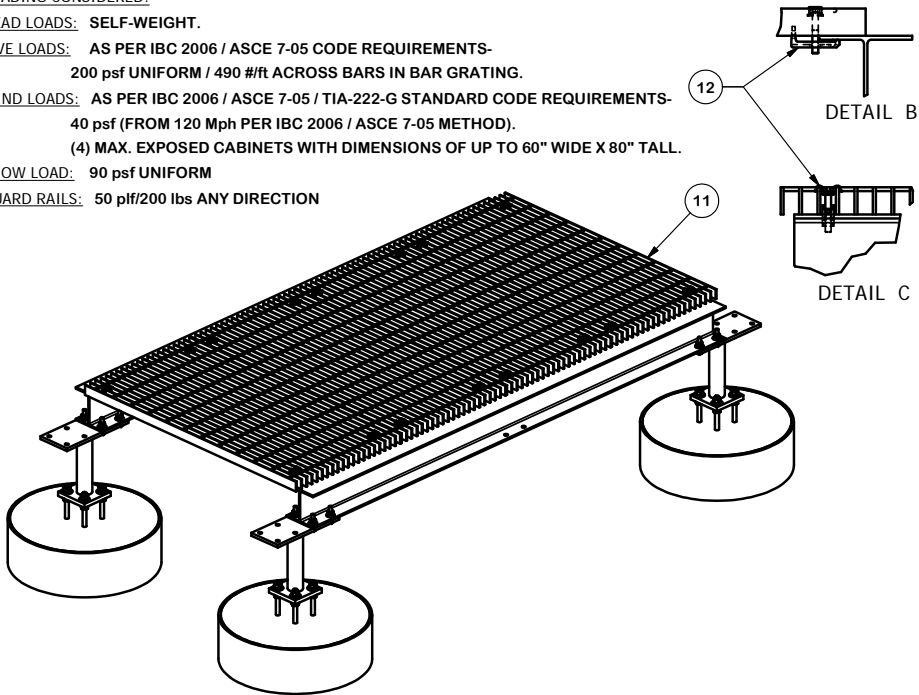
LIVE LOADS: AS PER IBC 2006 / ASCE 7-05 CODE REQUIREMENTS-
200 psf UNIFORM / 490 #/ft ACROSS BARS IN BAR GRATING.

WIND LOADS: AS PER IBC 2006 / ASCE 7-05 / TIA-222-G STANDARD CODE REQUIREMENTS-
40 psf (FROM 120 Mph PER IBC 2006 / ASCE 7-05 METHOD).

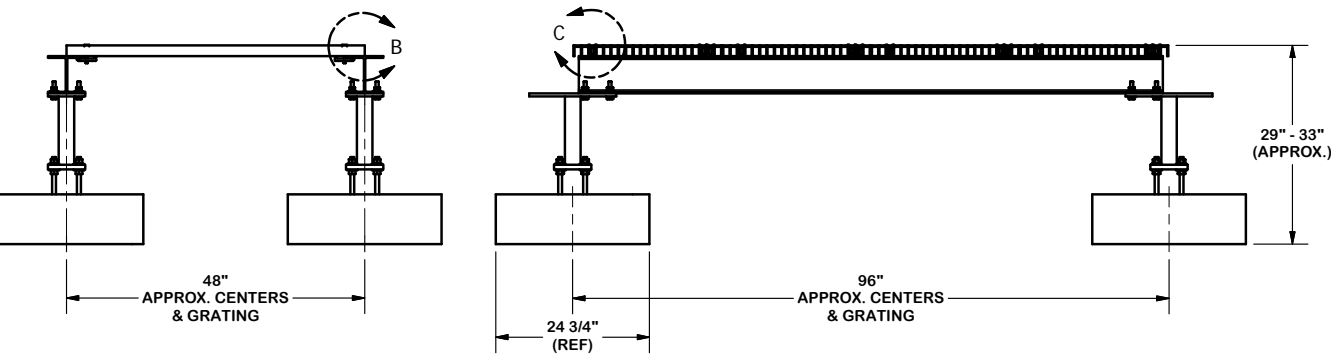
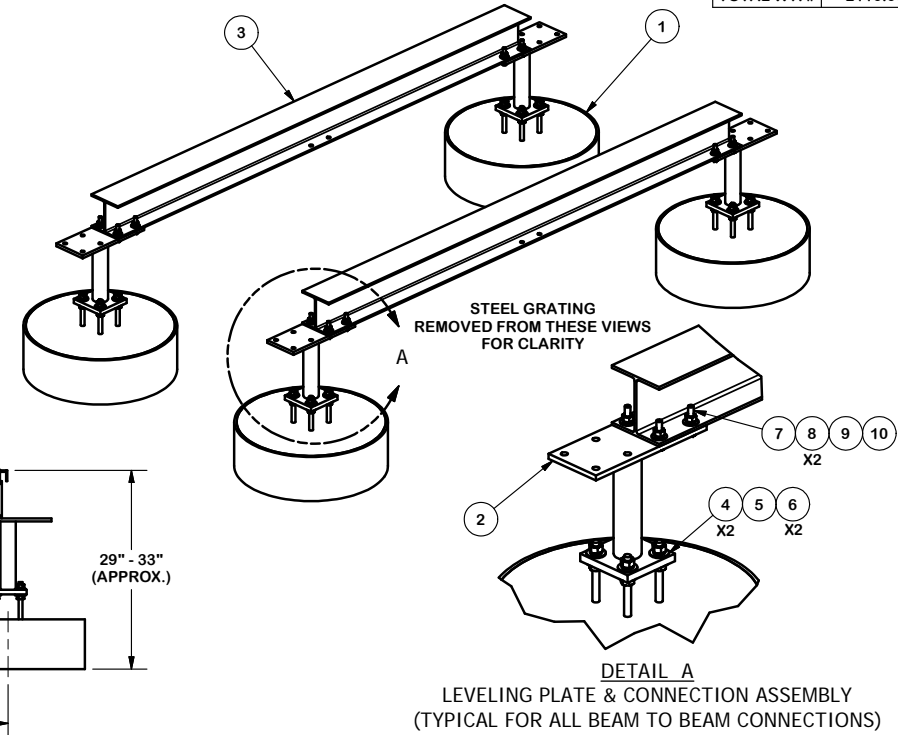
(4) MAX. EXPOSED CABINETS WITH DIMENSIONS OF UP TO 60" WIDE X 80" TALL.

SNOW LOAD: 90 psf UNIFORM

GUARD RAILS: 50 plf/200 lbs ANY DIRECTION



PARTS LIST						
ITEM	QTY	PART NO.	PART DESCRIPTION	LENGTH	UNIT WT.	NET WT.
1	4	PAD-C	CONCRETE PAD FOR PLATFORM		327.78	1311.12
2	4	X-151785	FOUNDATION CONNECTION ASSEMBLY FOR EQUIPMENT PLATFORM		35.97	143.90
3	2	X-151588	W6 X 15# WIDE FLANGE (Fy=35 Ksi Min)		123.90	247.80
4	32	G58FW	5/8" HDG USS FLATWASHER		0.07	2.25
5	16	G58LW	5/8" HDG LOCKWASHER		0.03	0.42
6	32	G58NUT	5/8" HDG HEAVY 2H HEX NUT		0.13	4.15
7	16	G12212	1/2" x 2-1/2" HDG HEX BOLT GR5		0.20	3.26
8	32	G12FW	1/2" HDG USS FLATWASHER		0.03	1.09
9	16	G12LW	1/2" HDG LOCKWASHER		0.01	0.22
10	16	G12NUT	1/2" HDG HEAVY 2H HEX NUT		0.07	1.14
11	4	X-151787	STEEL GRATING - 24"W X 48"L - BEARING BAR 1 3/4" X 3/16"		97.27	389.06
12	16	X-151174	BAR GRATING CONNECTION (LGF037)		0.36	5.68
					TOTAL WT. #	2110.00



TOLERANCE NOTES

TOLERANCES ON DIMENSIONS, UNLESS OTHERWISE NOTED ARE:
 SAWED, SHEARED AND GAS CUT EDGES ($\pm 0.030"$)
 DRILLED AND GAS CUT HOLES ($\pm 0.030"$) - NO CONING OF HOLES
 LASER CUT EDGES AND HOLES ($\pm 0.010"$) - NO CONING OF HOLES
 BENDS ARE $\pm 1/2$ DEGREE
 ALL OTHER MACHINING ($\pm 0.030"$)
 ALL OTHER ASSEMBLY ($\pm 0.060"$)

PROPRIETARY NOTE:
 THE DATA AND TECHNIQUES CONTAINED IN THIS DRAWING ARE PROPRIETARY INFORMATION OF VALMONT INDUSTRIES AND CONSIDERED A TRADE SECRET. ANY USE OR DISCLOSURE WITHOUT THE CONSENT OF VALMONT INDUSTRIES IS STRICTLY PROHIBITED.

DESCRIPTION	
EQUIPMENT PLATFORM BASE UNIT ASSEMBLY 4' X 8' W/ CONCRETE PADS	

CPD NO. 2323	DRAWN BY KC8 5/17/2011	ENG. APPROVAL
CLASS 81	SUB 01	DRAWING USAGE CUSTOMER
CHECKED BY CEK 2/18/2013		

<p>A valmont COMPANY</p>	Locations: New York, NY Atlanta, GA Los Angeles, CA Plymouth, IN Salem, OR Dallas, TX	
	Engineering Support Team: 1-888-753-7446	
PART NO.	BTS48-C	PAGE 1 OF 1
DWG. NO.	BTS48-C	