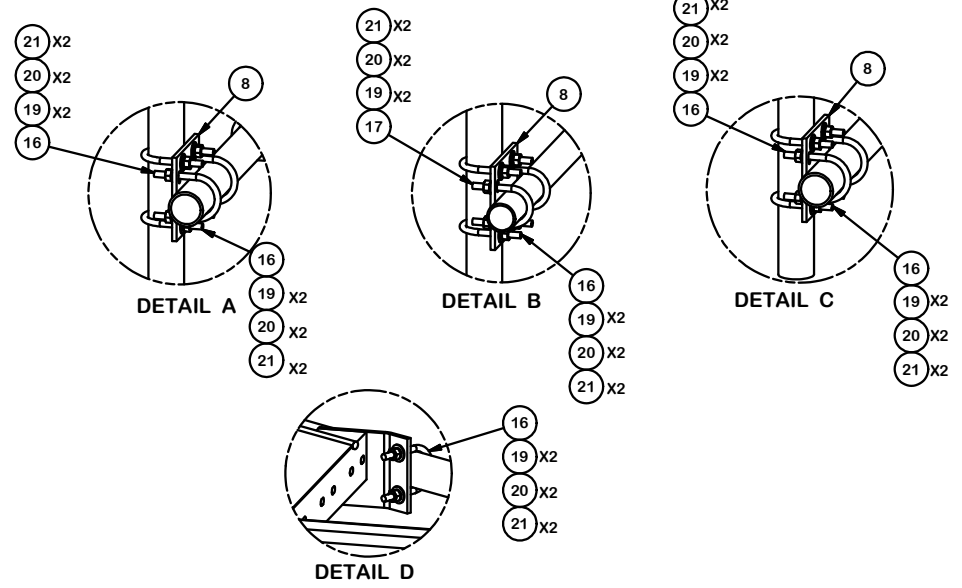


PARTS LIST						
ITEM	QTY	PART NO.	PART DESCRIPTION	LENGTH	UNIT WT.	NET WT.
1	6	X-SNPC	CORNER GRATING WELDMENT		199.69	1198.16
2	6	X-SNP-STL	PLATFORM STANDOFF ARM WELDMENT, 60-3/4" LONG		105.60	633.57
3	6	X-LWRM	RING MOUNT WELDMENT		68.81	412.85
4	6	X-SNPP1G	CLAMP PLATE	7 1/4 in	2.03	12.19
5	3	P2150	2-3/8" OD X 150" SCH 40 GALVANIZED PIPE	150 in	45.77	137.31
6	6	P30150	2-7/8" X 150" (2-1/2" SCH. 40) GALVANIZED PIPE	150 in	76.94	461.62
7	12	P30120	2 1/2" SCH. 40 PIPE (2.875" O.D. x 0.203" WALL) A500	120 in	58.07	696.79
8	36	SCX2	CROSSOVER PLATE	7 in	4.80	172.67
9	18	G58R-48	5/8" x 48" THREADED ROD (HDG.)	48 in	0.40	7.18
10	18	G58R-24	5/8" x 24" THREADED ROD (HDG.)	24 in	0.40	7.18
11	24	A58234	5/8" x 2-3/4" HDG A325 HEX BOLT	2 3/4 in	0.36	8.54
12	60	A58FW	5/8" HDG A325 FLATWASHER		0.03	2.04
13	60	G58LW	5/8" HDG LOCKWASHER		0.03	1.57
14	36	A58NUT	5/8" HDG A325 HEX NUT		0.13	4.68
15	24	G58NUT	5/8" HDG HEAVY 2H HEX NUT		0.13	3.12
16	144	X-UB1300	1/2" X 3" X 5" X 2" U-BOLT (HDG.)		0.26	37.01
17	24	X-UB1212	1/2" X 2-1/2" X 4-1/2" X 2" U-BOLT (HDG.)		0.26	6.17
18	12	G12065	1/2" x 6-1/2" HDG HEX BOLT GR5 FULL THREAD	6 1/2 in	0.41	4.91
19	336	G12FW	1/2" HDG USS FLATWASHER	3/32 in	0.03	11.45
20	348	G12LW	1/2" HDG LOCKWASHER	1/8 in	0.01	4.84
21	348	G12NUT	1/2" HDG HEAVY 2H HEX NUT		0.07	24.93
					TOTAL WT. #	4034.61

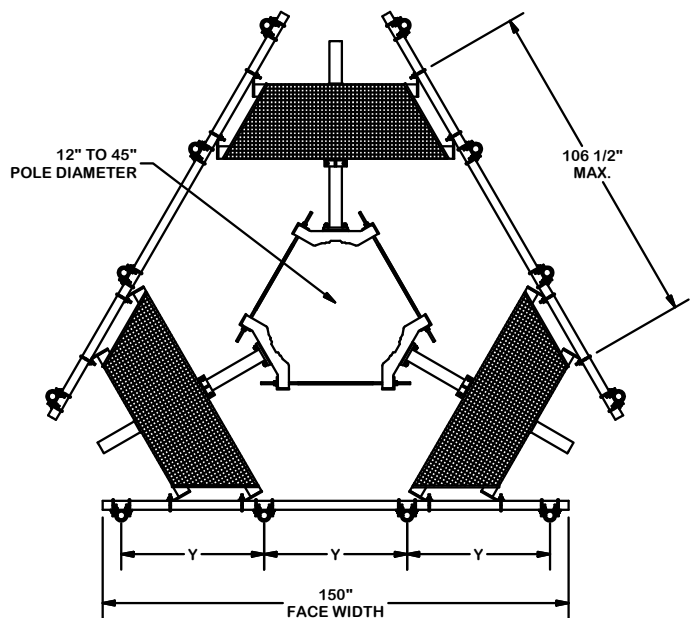


TOLERANCE NOTES
 TOLERANCES ON DIMENSIONS, UNLESS OTHERWISE NOTED ARE:
 SAWED, SHEARED AND GAS CUT EDGES ($\pm 0.030"$)
 DRILLED AND GAS CUT HOLES ($\pm 0.030"$) - NO CONING OF HOLES
 LASER CUT EDGES AND HOLES ($\pm 0.010"$) - NO CONING OF HOLES
 BENDS ARE $\pm 1/2$ DEGREE
 ALL OTHER MACHINING ($\pm 0.030"$)
 ALL OTHER ASSEMBLY ($\pm 0.060"$)

PROPRIETARY NOTE:
 THE DATA AND TECHNIQUES CONTAINED IN THIS DRAWING ARE PROPRIETARY INFORMATION OF VALMONT INDUSTRIES AND CONSIDERED A TRADE SECRET. ANY USE OR DISCLOSURE WITHOUT THE CONSENT OF VALMONT INDUSTRIES IS STRICTLY PROHIBITED.

DESCRIPTION		CAGE-SNP ASSEMBLY	
CPD NO.	DRAWN BY	ENG. APPROVAL	
	CEK 12/6/2016		
CLASS	SUB	DRAWING USAGE	CHECKED BY
81	02	CUSTOMER	BMC 3/28/2017

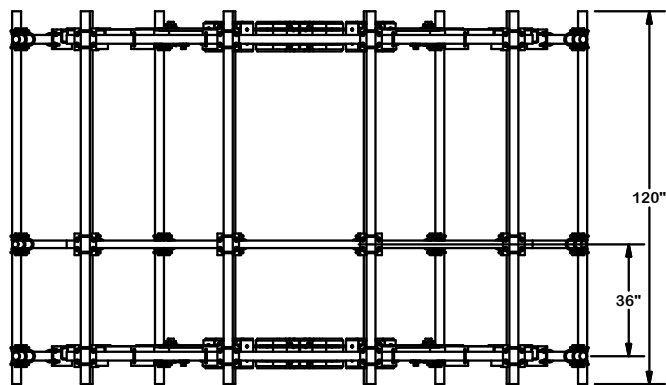
 A valmont COMPANY	Locations: New York, NY Atlanta, GA Los Angeles, CA Plymouth, IN Salem, OR Dallas, TX		
	Engineering Support Team: 1-888-753-7446		
PART NO.	CAGE-SNP	PAGE	1 OF 3
DWG. NO.	CAGE-SNP		



12" TO 45"
POLE DIAMETER

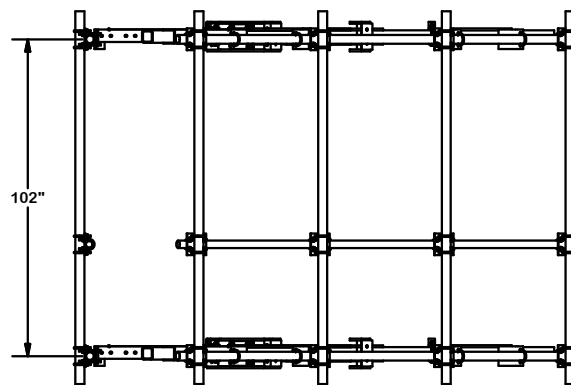
106 1/2"
MAX.

150"
FACE WIDTH



120"

36"



102"

TOLERANCE NOTES

TOLERANCES ON DIMENSIONS, UNLESS OTHERWISE NOTED ARE:
 SAWED, SHEARED AND GAS CUT EDGES ($\pm 0.030"$)
 DRILLED AND GAS CUT HOLES ($\pm 0.030"$) - NO CONING OF HOLES
 LASER CUT EDGES AND HOLES ($\pm 0.010"$) - NO CONING OF HOLES
 BENDS ARE $\pm 1/2$ DEGREE
 ALL OTHER MACHINING ($\pm 0.030"$)
 ALL OTHER ASSEMBLY ($\pm 0.060"$)

PROPRIETARY NOTE:
 THE DATA AND TECHNIQUES CONTAINED IN THIS DRAWING ARE PROPRIETARY INFORMATION OF VALMONT
 INDUSTRIES AND CONSIDERED A TRADE SECRET. ANY USE OR DISCLOSURE WITHOUT THE CONSENT OF
 VALMONT INDUSTRIES IS STRICTLY PROHIBITED.

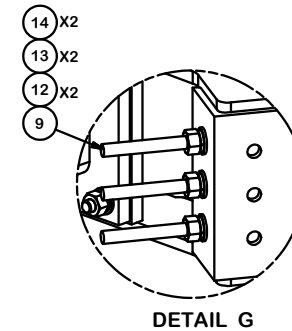
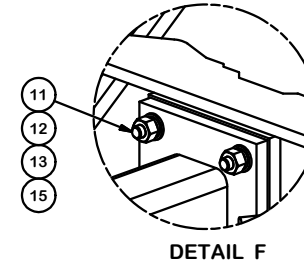
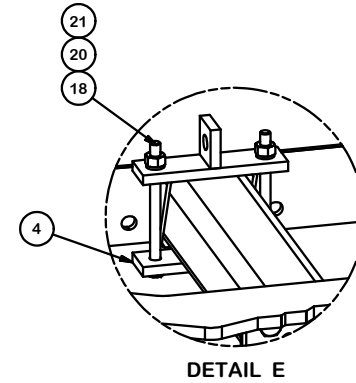
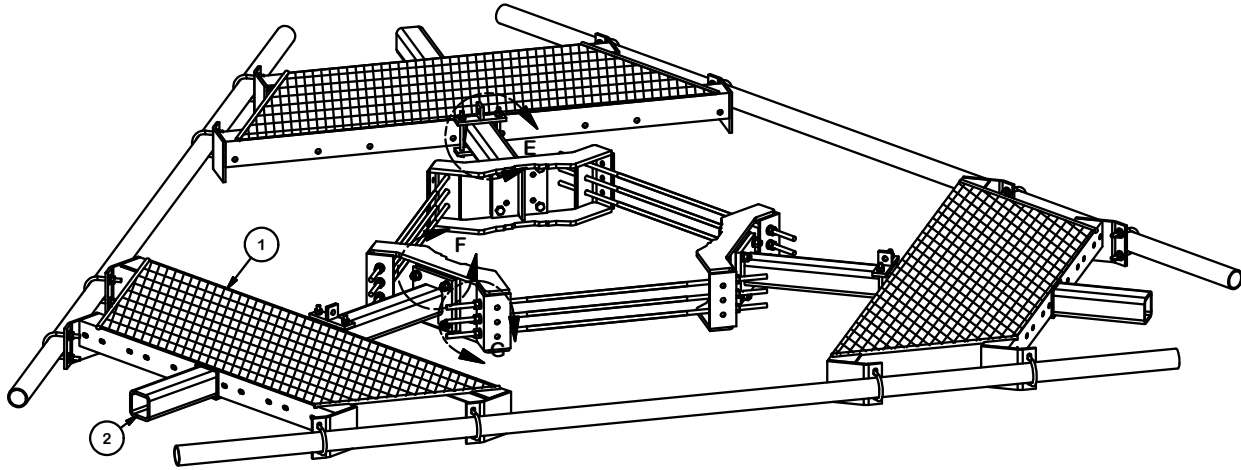
DESCRIPTION		CAGE-SNP ASSEMBLY
-------------	--	----------------------

CPD NO.	DRAWN BY	ENG. APPROVAL
81	CEK 12/6/2016	
CLASS	DRAWING USAGE	CHECKED BY
81	CUSTOMER	BMC 3/28/2017

 A valmont COMPANY	Locations: New York, NY Atlanta, GA Los Angeles, CA Plymouth, IN Salem, OR Dallas, TX
	Engineering Support Team: 1-888-753-7446

PART NO.	CAGE-SNP	PAGE 2 OF 3
DWG. NO.	CAGE-SNP	

NOTE:
TOP AND SIDES OF CAGE
REMOVED FOR CLARITY



TOLERANCE NOTES

TOLERANCES ON DIMENSIONS, UNLESS OTHERWISE NOTED ARE:
 SAWED, SHEARED AND GAS CUT EDGES ($\pm 0.030"$)
 DRILLED AND GAS CUT HOLES ($\pm 0.030"$) - NO CONING OF HOLES
 LASER CUT EDGES AND HOLES ($\pm 0.010"$) - NO CONING OF HOLES
 BENDS ARE $\pm 1/2$ DEGREE
 ALL OTHER MACHINING ($\pm 0.030"$)
 ALL OTHER ASSEMBLY ($\pm 0.060"$)

PROPRIETARY NOTE:
 THE DATA AND TECHNIQUES CONTAINED IN THIS DRAWING ARE PROPRIETARY INFORMATION OF VALMONT INDUSTRIES AND CONSIDERED A TRADE SECRET. ANY USE OR DISCLOSURE WITHOUT THE CONSENT OF VALMONT INDUSTRIES IS STRICTLY PROHIBITED.

DESCRIPTION
CAGE-SNP ASSEMBLY

CPD NO.	DRAWN BY CEK 12/6/2016	ENG. APPROVAL
CLASS 81	SUB 02	DRAWING USAGE CUSTOMER
	CHECKED BY BMC 3/28/2017	

SITE PRO 1
 A valmont COMPANY

Engineering Support Team:
 1-888-753-7446

Locations:
 New York, NY
 Atlanta, GA
 Los Angeles, CA
 Plymouth, IN
 Salem, OR
 Dallas, TX

PART NO.	CAGE-SNP	PAGE 3 OF 3
DWG. NO.	CAGE-SNP	