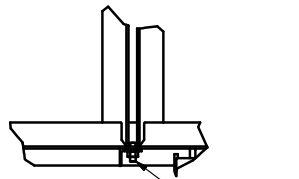
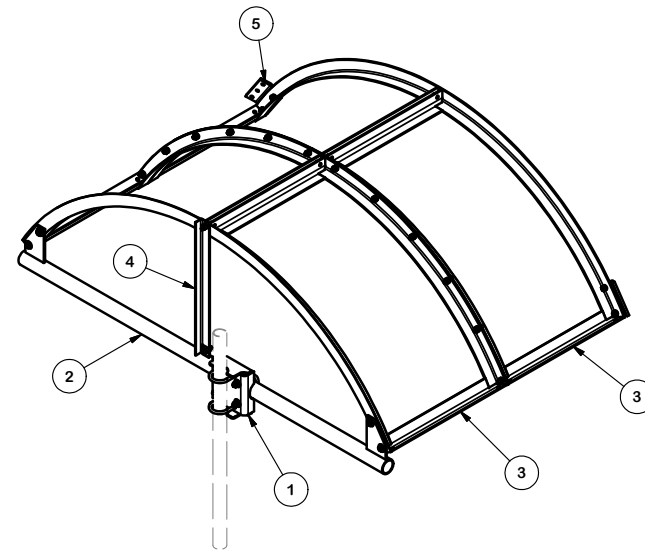
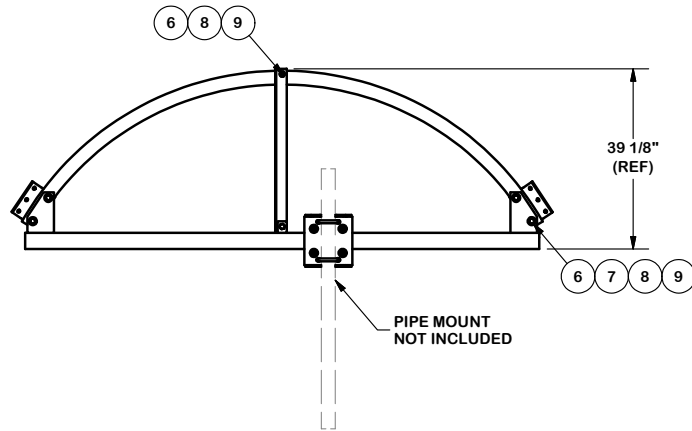
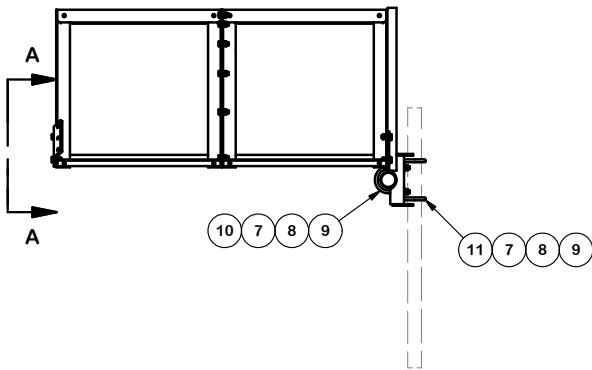
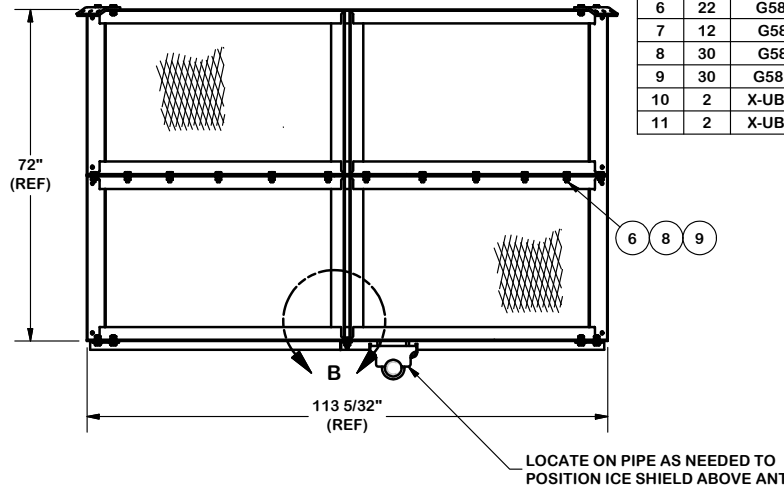


VIEW A-A



DETAIL B



PARTS LIST						
ITEM	QTY	PART NO.	PART DESCRIPTION	LENGTH	UNIT WT.	NET WT.
1	1	X-58983	FORMED PLATE WELDMENT		23.46	23.46
2	1	X-110384	8FT CURVED ICE SHIELD HORIZ WELDMENT		83.59	83.59
3	2	X-50123	8 FT ICE SHIELD WELDMENT		250.34	500.67
4	1	X-110385	VERTICAL ANGLE BRACKET	35 3/8 in	8.59	8.59
5	2	X-50170	BENT PLATE BRACKET		7.20	14.40
6	22	G58134	5/8" x 1-3/4" HDG BOLT	1 3/4 in	0.27	5.92
7	12	G58FW	5/8" HDG USS FLATWASHER		0.07	0.84
8	30	G58LW	5/8" HDG LOCKWASHER		0.03	0.78
9	30	G58NUT	5/8" HDG HEAVY 2H HEX NUT		0.13	3.89
10	2	X-UB5458	5/8" X 4-5/8" X 7" X 3" U-BOLT (HDG.)		0.81	1.62
11	2	X-UB5358	5/8" X 3-5/8" X 6" X 3" U-BOLT (HDG.)		1.31	2.62
					TOTAL WT. #	647.84

TOLERANCE NOTES

TOLERANCES ON DIMENSIONS, UNLESS OTHERWISE NOTED ARE:
 SAWED, SHEARED AND GAS CUT EDGES ($\pm 0.030"$)
 DRILLED AND GAS CUT HOLES ($\pm 0.030"$) - NO CONING OF HOLES
 LASER CUT EDGES AND HOLES ($\pm 0.010"$) - NO CONING OF HOLES
 BENDS ARE $\pm 1/2$ DEGREE
 ALL OTHER MACHINING ($\pm 0.030"$)
 ALL OTHER ASSEMBLY ($\pm 0.060"$)

PROPRIETARY NOTE:
 THE DATA AND TECHNIQUES CONTAINED IN THIS DRAWING ARE PROPRIETARY INFORMATION OF VALMONT INDUSTRIES AND CONSIDERED A TRADE SECRET. ANY USE OR DISCLOSURE WITHOUT THE CONSENT OF VALMONT INDUSTRIES IS STRICTLY PROHIBITED.

DESCRIPTION
 8 FT ICE SHIELD
 INSTALLATION DETAIL

SITE PRO 1
 Engineering Support Team:
 1-888-753-7446

Locations:
 New York, NY
 Atlanta, GA
 Los Angeles, CA
 Plymouth, IN
 Salem, OR
 Dallas, TX

CPD NO.	DRAWN BY	ENG. APPROVAL
CLASS	DRAWING USAGE	CHECKED BY
81	02	CEK
	CUSTOMER	2/18/2013

PART NO.	CIS08
DWG. NO.	CIS08