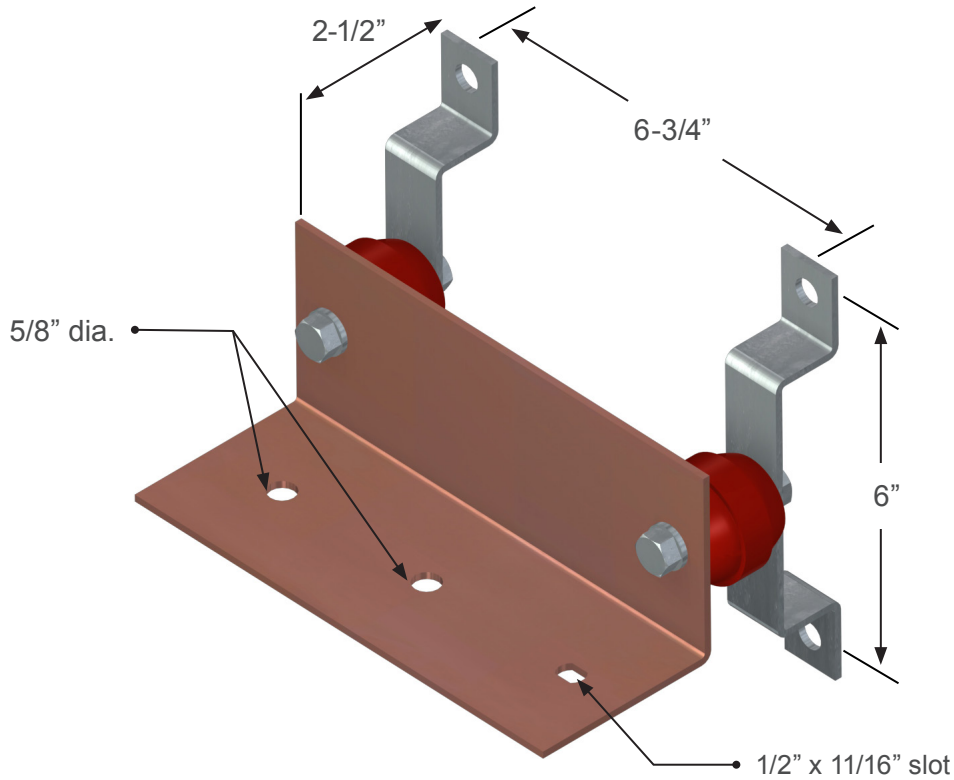


CMB8-K: Surge Arrestor Bus Bar Kit



Features:

Insulators and Stainless Steel mounting brackets included. 3/8" hardware for mounting brackets not included.

Construction:

Manufactured from 3/16" thick 110 copper.

Design Criteria:

Provides a single versatile solution to attach 7/16 DIN surge arrestors to a central ground point for lightning arrestors at your site.

Part #	Measurements	Description	Weight
CMB8-K	3" x 3" x 8"	Surge Arrestor Buss Bar Kit	3.25 lb.

CMB8-K: Surge Arrestor Bus Bar Kit: Product description



The CMB8-K Surge Arrestor Buss Bar Kit provides a single, versatile solution to create a central ground point for lightning arrestors at your site. The Surge Arrestor Buss Bar Kit is manufactured from solid copper. All kits include all mounting hardware to accommodate ceiling or wall mount applications.

Typical applications

