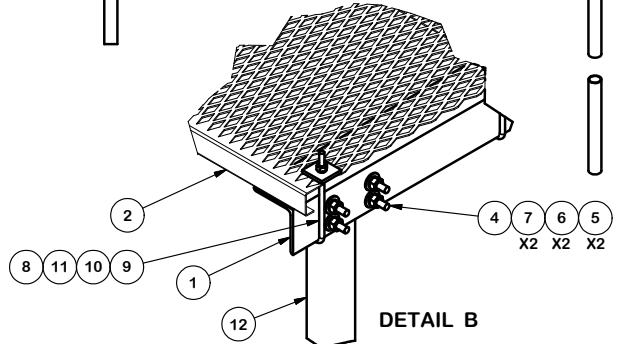
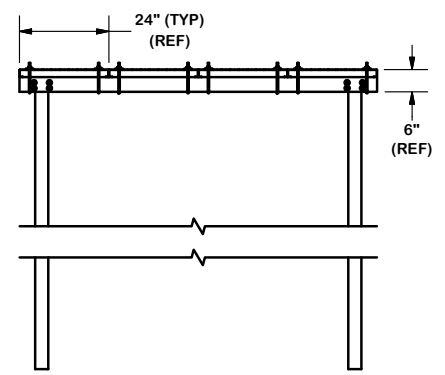
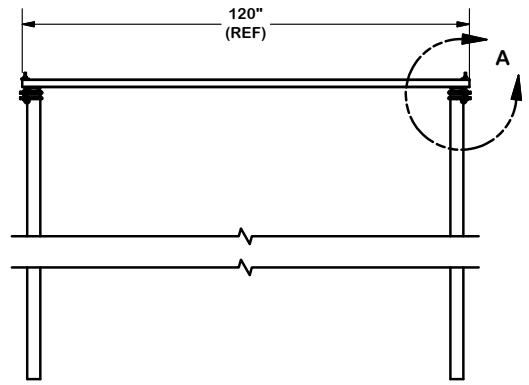
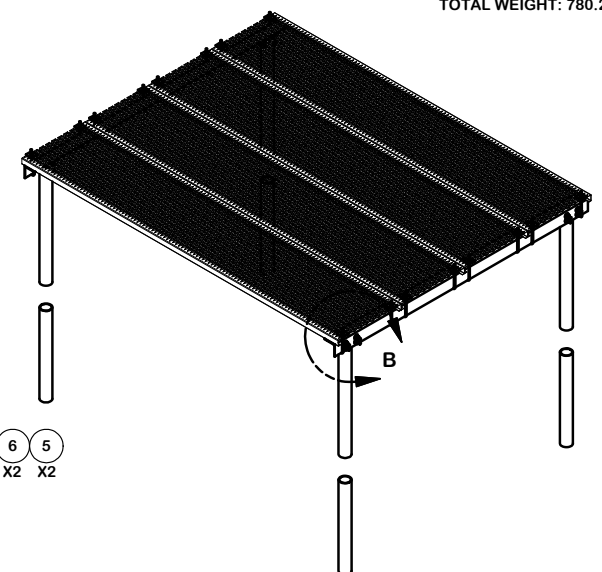


DETAIL A



DETAIL B



COMMON PARTS LIST

ITEM	QTY	PART NO.	PART DESCRIPTION	LENGTH	UNIT WT.	NET WT.
1	2	X-COV8	4" X 4" x 1/4" ANGLE (A36)	96 in	53.00	106.00
2	4	GRS24	24" X 10' GRIP SPAN BRIDGE CHANNEL		67.98	271.91
3	4	PC312	3-1/2" FENCE POST CAP		0.59	2.34
4	8	X-UB1358	1/2" X 3-5/8" X 5-1/2" X 3" U-BOLT (HDG.)		0.81	6.49
5	16	G12NUT	1/2" HDG HEAVY 2H HEX NUT		0.07	1.14
6	16	G12LW	1/2" HDG LOCKWASHER		0.01	0.22
7	16	G12FW	1/2" HDG USS FLATWASHER		0.03	0.54
8	16	X-JB8	X-JB8		0.33	5.24
9	16	G38NUT	3/8" HDG HEAVY 2H HEX NUT		0.03	0.54
10	16	G38LW	3/8" HDG LOCKWASHER		0.01	0.11
11	16	SQW38	3/8" SQUARE WASHER (GALV.)	2 in	0.27	4.37

VARIABLE PARTS LIST

ASSEMBLY "A"	ITEM	QTY	PART NO.	PART DESCRIPTION	LENGTH	UNIT WT.	NET WT.
COV810 (BURIAL)	12	4	P3160	3" SCH 40 PIPE (3.5 O.D. x .216" WALL) A500	160 in	101.25	404.99

TOTAL WEIGHT: 803.60

VARIABLE PARTS LIST

ASSEMBLY "A"	ITEM	QTY	PART NO.	PART DESCRIPTION	LENGTH	UNIT WT.	NET WT.
COV810-B (BASE SHOE)	12	4	X-SP126	BASE SHOE PLATE PIPE COLUMN	126 in	92.98	371.93
		16	SWA585	5/8" X 5" STAINLESS WEDGE ANCHOR		.61	9.70

TOTAL WEIGHT: 780.24

TOLERANCE NOTES

TOLERANCES ON DIMENSIONS, UNLESS OTHERWISE NOTED ARE:
 SAWED, SHEARED AND GAS CUT EDGES ($\pm 0.030"$)
 DRILLED AND GAS CUT HOLES ($\pm 0.030"$) - NO CONING OF HOLES
 LASER CUT EDGES AND HOLES ($\pm 0.010"$) - NO CONING OF HOLES
 BENDS ARE $\pm 1/2$ DEGREE
 ALL OTHER MACHINING ($\pm 0.030"$)
 ALL OTHER ASSEMBLY ($\pm 0.060"$)

PROPRIETARY NOTE:
 THE DATA AND TECHNIQUES CONTAINED IN THIS DRAWING ARE PROPRIETARY INFORMATION OF VALMONT INDUSTRIES AND CONSIDERED A TRADE SECRET. ANY USE OR DISCLOSURE WITHOUT THE CONSENT OF VALMONT INDUSTRIES IS STRICTLY PROHIBITED.

DESCRIPTION
 PLATFORM CANOPY
 10' X 8' BURIAL OR BASE SHOE

SITE PRO 1
 Engineering Support Team:
 1-888-753-7446

Locations:
 New York, NY
 Atlanta, GA
 Los Angeles, CA
 Plymouth, IN
 Salem, OR
 Dallas, TX

CPD NO.	DRAWN BY	ENG. APPROVAL
	KC8 8/24/2012	
CLASS	DRAWING USAGE	CHECKED BY
81	01 CUSTOMER	BMC 7/3/2013

PART NO.	SEE ASSEMBLY "A"
DWG. NO.	COV810

A	X-COV8 TO QTY 2, UPDATED LENGTH & WTS	KC8	7/1/13
REV	DESCRIPTION OF REVISIONS	CPD	BY DATE