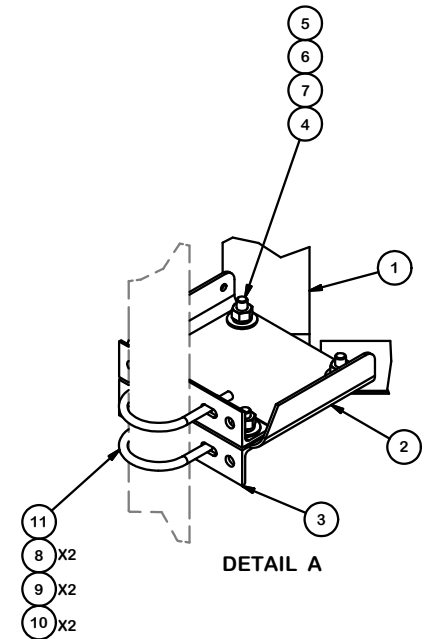
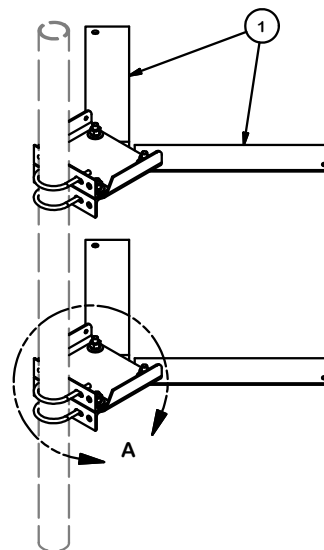


| PARTS LIST | | | | | | |
|------------|-----|----------|---|--------|-------------|---------|
| ITEM | QTY | PART NO. | PART DESCRIPTION | LENGTH | UNIT WT. | NET WT. |
| 1 | 4 | X-COR1 | CORNER MOUNT ANGLE | 23 in | 15.62 | 62.48 |
| 2 | 2 | X-SLD-BP | SLIDER BRACKET BENT PLATE | | 8.13 | 16.26 |
| 3 | 4 | X-SLD-A | SLIDER BRACKET ANGLE | 10 in | 3.28 | 13.12 |
| 4 | 8 | G5802 | 5/8" x 2" HDG HEX BOLT GR5 | | 0.27 | 2.16 |
| 5 | 8 | G58NUT | 5/8" HDG HEAVY 2H HEX NUT | | 0.13 | 1.04 |
| 6 | 8 | G58LW | 5/8" HDG LOCKWASHER | | 0.03 | 0.21 |
| 7 | 8 | G58FW | 5/8" HDG USS FLATWASHER | | 0.07 | 0.56 |
| 8 | 8 | G12FW | 1/2" HDG USS FLATWASHER | | 0.03 | 0.27 |
| 9 | 8 | G12LW | 1/2" HDG LOCKWASHER | | 0.01 | 0.11 |
| 10 | 8 | G12NUT | 1/2" HDG HEAVY 2H HEX NUT | | 0.07 | 0.57 |
| 11 | 4 | X-UB1358 | 1/2" X 3-5/8" X 5-1/2" X 3" GALV U-BOLT | | 0.77 | 3.09 |
| 11 | 4 | X-UB1458 | 1/2" X 4-5/8" X 7" X 3" GALV U-BOLT | | 0.97 | 3.89 |
| | | | | | TOTAL WT. # | 103.76 |



TOLERANCE NOTES

TOLERANCES ON DIMENSIONS, UNLESS OTHERWISE NOTED ARE:
 SAWED, SHEARED AND GAS CUT EDGES ($\pm 0.030"$)
 DRILLED AND GAS CUT HOLES ($\pm 0.030"$) - NO CONING OF HOLES
 LASER CUT EDGES AND HOLES ($\pm 0.010"$) - NO CONING OF HOLES
 BENDS ARE $\pm 1/2$ DEGREE
 ALL OTHER MACHINING ($\pm 0.030"$)
 ALL OTHER ASSEMBLY ($\pm 0.060"$)

PROPRIETARY NOTE:
 THE DATA AND TECHNIQUES CONTAINED IN THIS DRAWING ARE PROPRIETARY INFORMATION OF VALMONT INDUSTRIES AND CONSIDERED A TRADE SECRET. ANY USE OR DISCLOSURE WITHOUT THE CONSENT OF VALMONT INDUSTRIES IS STRICTLY PROHIBITED.

DESCRIPTION
 CORNER WALL MOUNT
 3-1/2" & 4-1/2" O.D.
 ANTENNA PIPE

| | | |
|-------------|-----------------------------|---------------------------|
| CPD NO. | DRAWN BY CEK 1/21/2015 | ENG. APPROVAL |
| CLASS 81 | SUB 01 | DRAWING USAGE CUSTOMER |
| | CHECKED BY BMC 1/21/2015 | |

SITE PRO 1
 Engineering Support Team:
 1-888-753-7446

Locations:
 New York, NY
 Atlanta, GA
 Los Angeles, CA
 Plymouth, IN
 Salem, OR
 Dallas, TX

A valmont COMPANY

| | |
|---------------------|----------------|
| PART NO. CWMM-HD | PAGE 1 OF 1 |
| DWG. NO. CWMM-HD | |