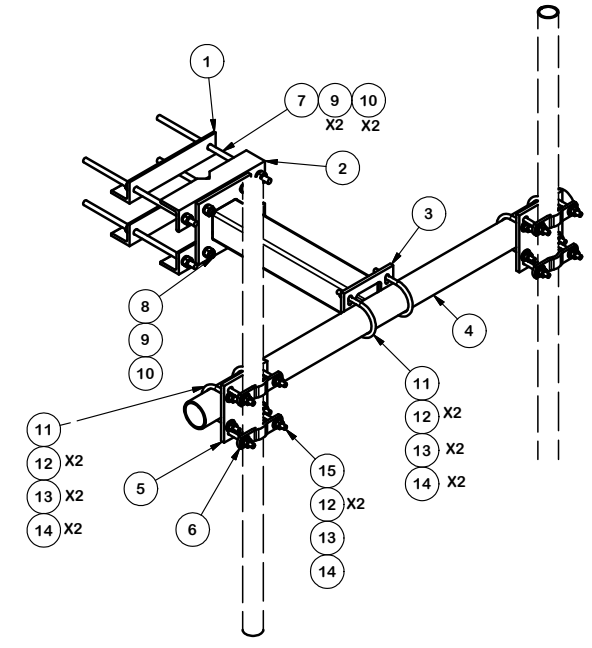
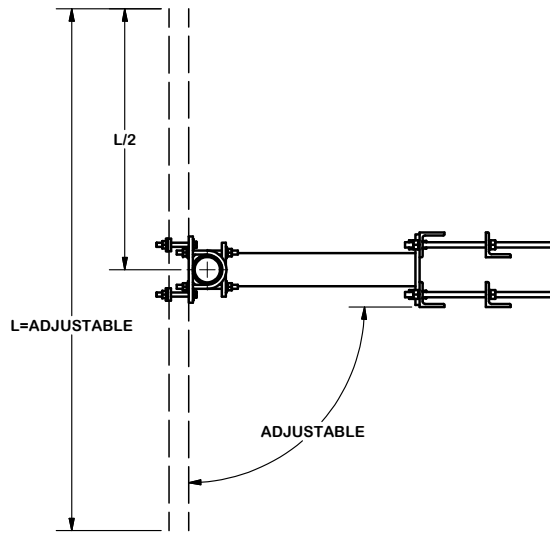
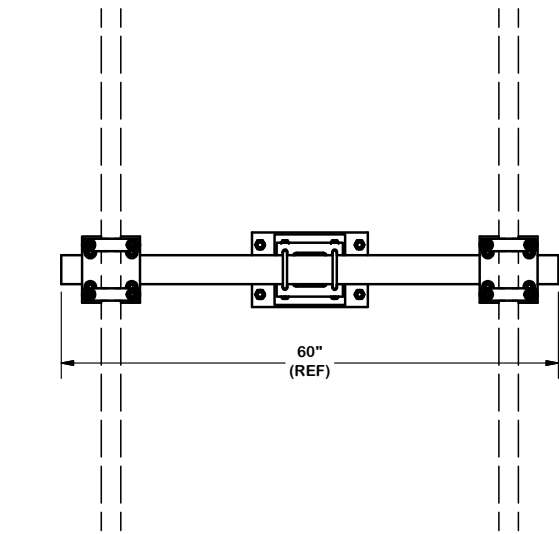


FITS 2-1/2" TO 10-3/4" ROUND LEGS
OR 2" TO 8" EQUAL ANGLE LEGS



PARTS LIST						
ITEM	QTY	PART NO.	PART DESCRIPTION	LENGTH	UNIT WT.	NET WT.
1	2	X-214167	BACKING ANGLE PIPE CLAMP	14 in	8.77	17.54
2	2	X-214166	V-ANGLE PIPE CLAMP	14 in	8.58	17.15
3	1	X-WWM02	2' STAND-OFF ARM / WALL MOUNT		30.51	30.51
4	1	P360	3-1/2" X 60" SCH 40 GALVANIZED PIPE		37.97	37.97
5	2	SCX7	CROSSOVER PLATE	8 in	7.55	15.10
6	4	X-115765	5" V-CLAMP		1.02	4.07
7	4	G58R-18	5/8" x 18" THREADED ROD (HDG.)		3.23	12.91
8	4	G5802	5/8" x 2" HDG HEX BOLT GR5		0.27	1.09
9	12	G58LW	5/8" HDG LOCKWASHER		0.03	0.31
10	12	G58NUT	5/8" HDG HEAVY 2H HEX NUT		0.13	1.56
11	6	X-UB1358	1/2" X 3-5/8" X 5-1/2" X 3" U-BOLT (HDG.)		0.66	3.94
12	28	G12FW	1/2" HDG USS FLATWASHER		0.03	0.95
13	20	G12LW	1/2" HDG LOCKWASHER		0.01	0.28
14	20	G12NUT	1/2" HDG HEAVY 2H HEX NUT		0.07	1.43
15	8	G12065	1/2" x 6-1/2" HDG HEX BOLT GR5 FULL THREAD	6 1/2 in	0.41	3.28
15	8	G12045	1/2" x 4.5" HDG HEX BOLT GR5 FULL THREAD	4 1/2 in	0.30	2.38
TOTAL WT. #						132.13

FINISH:
HOT DIP GALVANIZED.

TOLERANCE NOTES

TOLERANCES ON DIMENSIONS, UNLESS OTHERWISE NOTED ARE:
 SAWED, SHEARED AND GAS CUT EDGES ($\pm 0.030"$)
 DRILLED AND GAS CUT HOLES ($\pm 0.030"$) - NO CONING OF HOLES
 LASER CUT EDGES AND HOLES ($\pm 0.010"$) - NO CONING OF HOLES
 BENDS ARE $\pm 1/2$ DEGREE
 ALL OTHER MACHINING ($\pm 0.030"$)
 ALL OTHER ASSEMBLY ($\pm 0.060"$)

PROPRIETARY NOTE:
 THE DATA AND TECHNIQUES CONTAINED IN THIS DRAWING ARE PROPRIETARY INFORMATION OF VALMONT INDUSTRIES AND CONSIDERED A TRADE SECRET. ANY USE OR DISCLOSURE WITHOUT THE CONSENT OF VALMONT INDUSTRIES IS STRICTLY PROHIBITED.

DESCRIPTION
**DUAL ANTENNA MOUNT ASSEMBLY
 FOR ROUND LEGS 2-1/2" TO 10-3/4"
 32-1/2" STAND-OFF**

SITE PRO 1
 Engineering Support Team:
 1-888-753-7446

Locations:
 New York, NY
 Atlanta, GA
 Los Angeles, CA
 Plymouth, IN
 Salem, OR
 Dallas, TX

CPD NO.	DRAWN BY	ENG. APPROVAL
	KC8 8/10/2012	
CLASS	DRAWING USAGE	CHECKED BY
81	CUSTOMER	CEK 2/19/2013

PART NO.	CWT02-LL
DWG. NO.	CWT02-LL