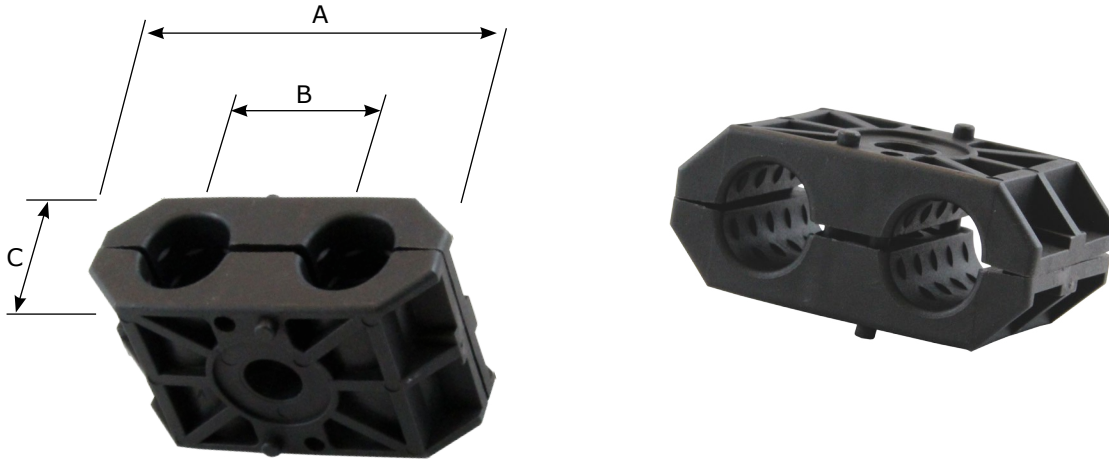


CXBxxx: Cable Blocks



Features:

- Allows cable attachment using 3/8" hardware (not included)
- Stackable to allow up to 6 runs of cable per attachment point
- Locking dimples hold the blocks in place when stacked
- Interior ribs and increased width for superior cable retention

Construction:

- Injection molded from UV-resistant polypropylene for long-term outdoor durability

Design Criteria:

- Can be used outdoors or indoors

Part #	Cable Size & Type	U of M	Weight/ 10 pk	A	B	C
CXB4	Fiber Kit (4-6mm)	10 pack	1.3 lb	2-1/2"	1-1/4"	1"
CXB14-2	1/4" Cable (6-8mm)	10 pack	0.20 lb	1-1/4"	3/4"	5/8"
CXB38	3/8" Cables & LMR400 (10-12 mm)	10 pack	0.30 lb	1-5/8"	1"	7/8"
CXB12	1/2" Corrugated (15.5-17.5 mm)	10 pack	0.60 lb	2-1/4"	1-1/4"	1"
CXB78	7/8" Corrugated (27-29 mm)	10 pack	1.0 lb	3"	2"	1-1/4"
CXB114	1-1/4" Corrugated (39-42 mm)	10 pack	1.6 lb	4-1/8"	2-1/2"	1-7/8"
CXB158	1-5/8" Corrugated (50-54 mm)	10 pack	2.5 lb	5"	2-3/4"	2-1/2"
CXB214	2-1/4" Corrugated (60-65 mm)	10 pack	3.0 lb	6"	3-1/8"	2-3/4"

CXBxxx: Cable Blocks

PRODUCT REFERENCE SHEET

©2017

Cable Support Blocks for Coaxial Cable Applications

1721 PR E

PRODUCT DESCRIPTION

The Cable Support Block is a second generation block hanger system designed specifically for cable applications. Stackable space saving units provide versatility in all applications reducing material and installation costs by over 50% by requiring only one 8mm, 10mm, or 3/8" threaded rod to secure up to six runs of coax. Support Blocks are manufactured from a durable weather resistant Long Glass Polypropylene which exceeds the recommended temperature parameters for coaxial cable i.e. (-40° to 185° F). Thermal, chemical, and UV resistance ensure long term integrity in extreme environments including mountain tops, deserts, coastal, and industrial type applications.

