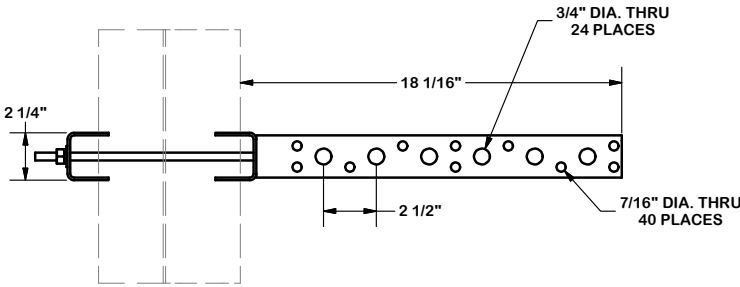
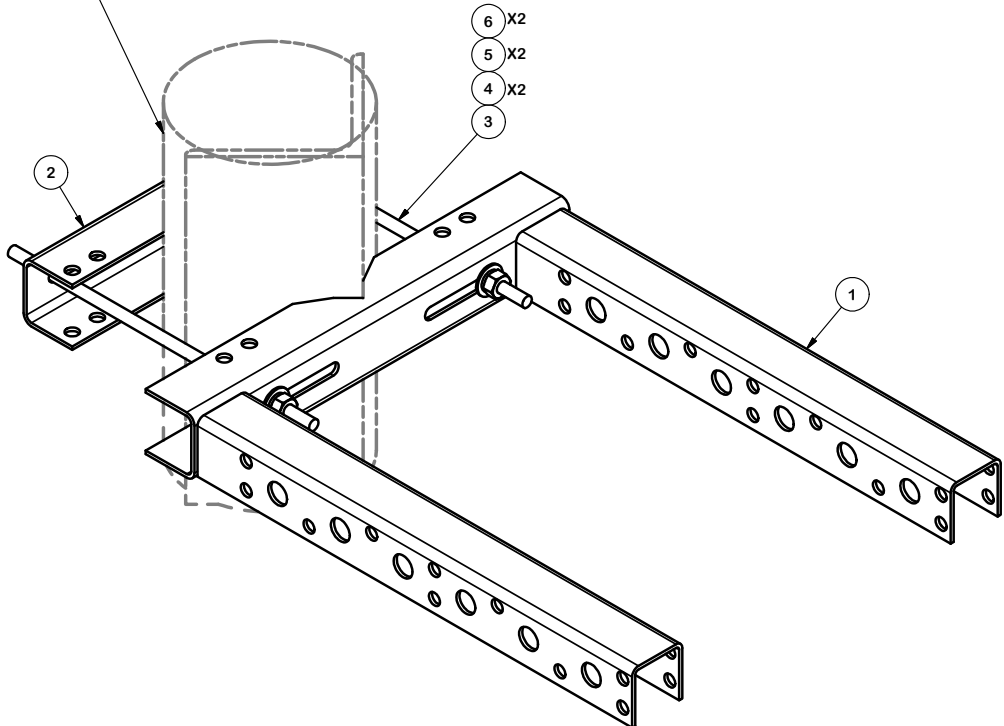
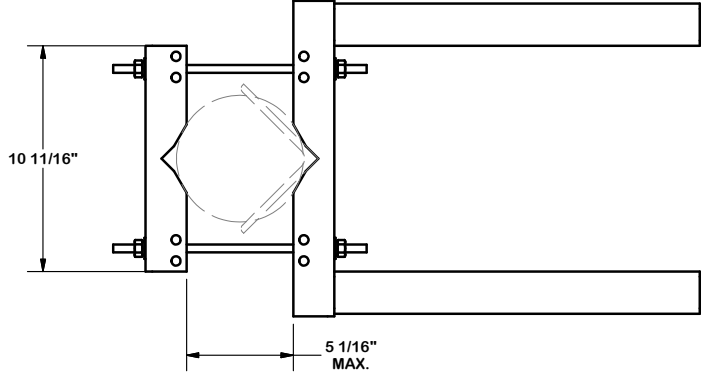


PARTS LIST						
ITEM	QTY	PART NO.	PART DESCRIPTION	LENGTH	UNIT WT.	NET WT.
1	1	X-DBT1200	BRACKET WELDMENT FOR DBT1200		9.58	9.58
2	1	UTB-BB	BACK BRACKET FOR UNIVERSAL T-BRACKETS	10 11/16 in	1.89	1.89
3	2	G38R-12	3/8" x 12" THREADED ROD (HDG.)		0.38	0.75
4	4	G38FW	3/8" HDG USS FLATWASHER		0.01	0.05
5	4	G38LW	3/8" HDG LOCKWASHER		0.01	0.03
6	4	G38NUT	3/8" HDG HEAVY 2H HEX NUT		0.03	0.14
					TOTAL WT. #	12.44

1-1/2" TO 6" ROUND MEMBER LEGS.
 2-1/2" TO 5" 90° ANGLE LEGS.



TOLERANCE NOTES

TOLERANCES ON DIMENSIONS, UNLESS OTHERWISE NOTED ARE:
 SAWED, SHEARED AND GAS CUT EDGES (± 0.030)
 DRILLED AND GAS CUT HOLES (± 0.030) - NO CONING OF HOLES
 LASER CUT EDGES AND HOLES (± 0.010) - NO CONING OF HOLES
 BENDS ARE $\pm 1/2$ DEGREE
 ALL OTHER MACHINING (± 0.030)
 ALL OTHER ASSEMBLY (± 0.060)

PROPRIETARY NOTE:
 THE DATA AND TECHNIQUES CONTAINED IN THIS DRAWING ARE PROPRIETARY INFORMATION OF VALMONT INDUSTRIES AND CONSIDERED A TRADE SECRET. ANY USE OR DISCLOSURE WITHOUT THE CONSENT OF VALMONT INDUSTRIES IS STRICTLY PROHIBITED.

DESCRIPTION
**SUPER UNIVERSAL
 DOUBLE T-BRACKET**

SITE PRO 1
 A valmont COMPANY
 Engineering Support Team:
 1-888-753-7446
 Locations:
 New York, NY
 Atlanta, GA
 Los Angeles, CA
 Plymouth, IN
 Salem, OR
 Dallas, TX
 Tampa, FL

CPD NO.	DRAWN BY	ENG. APPROVAL
CLASS	DRAWING USAGE	CHECKED BY
81	02	CUSTOMER

PART NO.	DBT1200
DWG. NO.	DBT1200