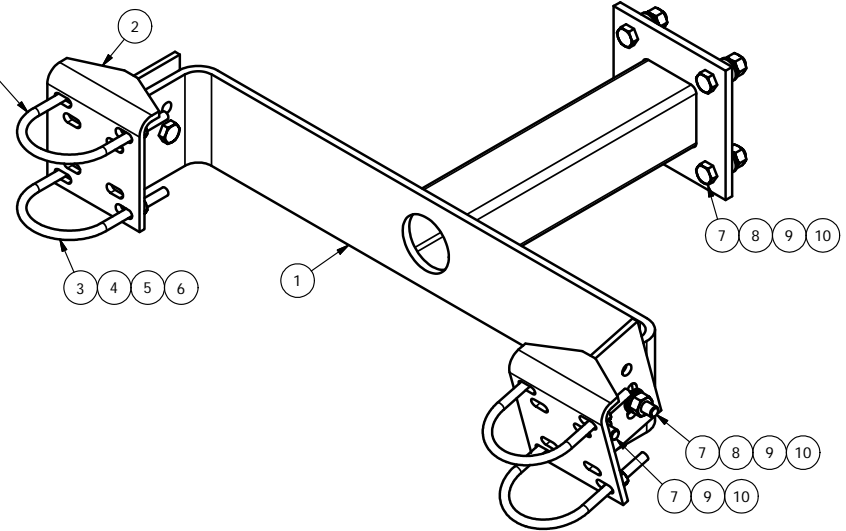


USE SLOT FOR DOWN TILT APPLICATION,  
USE HOLE WHEN PIPE MOUNT IS VERTICAL.

4" TO 4-1/2"  
O.D. PIPE  
(ORDERED SEPARATELY)

PARTS LIST						
ITEM	QTY	PART NO.	PART DESCRIPTION	LENGTH	UNIT WT.	NET WT.
1	1	X-97961	DSM2 MAIN STANDOFF BRACKET		60.00	60.00
2	2	X-ATB	PIPE ATTACHMENT BRACKET		10.68	21.37
3	4	X-UB1418	1/2" X 4-1/8" X 6" X 3" UBOLT (HDG.)		0.84	3.36
3	4	X-UB1458	1/2" X 4-5/8" X 7" X 3" U-BOLT (HDG.)		0.97	3.89
4	8	G12FW	1/2" HDG USS FLATWASHER		0.03	0.27
5	8	G12LW	1/2" HDG LOCKWASHER		0.01	0.11
6	8	G12NUT	1/2" HDG HEAVY 2H HEX NUT		0.07	0.57
7	8	A582112	5/8" x 2-1/2" HDG A325 HEX BOLT	2.5 in.	0.33	2.67
8	6	A58FW	5/8" HDG A325 FLATWASHER		0.03	0.20
9	8	G58LW	5/8" HDG LOCKWASHER		0.03	0.21
10	8	A58NUT	5/8" HDG A325 HEX NUT		0.13	1.04
TOTAL WT. #						92.67



**TOLERANCE NOTE**

TOLERANCES ON DIMENSIONS, UNLESS OTHERWISE NOTED ARE:  
 SAWED, SHEARED AND GAS CUT EDGES ( $\pm 0.030"$ )  
 DRILLED AND GAS CUT HOLES ( $\pm 0.030"$ ) - NO CONING OF HOLES  
 LASER CUT EDGES AND HOLES ( $\pm 0.010"$ ) - NO CONING OF HOLES  
 BENDS ARE  $\pm 1/2$  DEGREE - ALL OTHER MACHINING ( $\pm 0.030"$ )  
 ALL OTHER ASSEMBLY ( $\pm 0.060"$ )

**PROPRIETARY NOTE**

THE DATA AND TECHNIQUES CONTAINED IN THIS DRAWING ARE PROPRIETARY INFORMATION OF VALMONT INDUSTRIES AND CONSIDERED A TRADE SECRET. ANY USE OR DISCLOSURE WITHOUT THE CONSENT OF VALMONT INDUSTRIES IS STRICTLY PROHIBITED.

DESCRIPTION  
**DUAL STANDOFF ARM  
 FOR TWO  
 ANTENNA PIPES**



Engineering  
 Support Team:  
 1-888-753-7446

Locations:  
 New York, NY  
 Atlanta, GA  
 Los Angeles, CA  
 Plymouth, IN  
 Salem, OR  
 Dallas, TX

A valmont COMPANY

DRAWN BY  
**CEK 1/19/2011**

CPD NO.  
**4779**

DRAWING USAGE  
**CUSTOMER**

PART NO.  
**DSM4**

ENG. APPROVAL

CHECKED BY  
**BMC 2/18/2011**

DWG. NO.  
**DSM4**