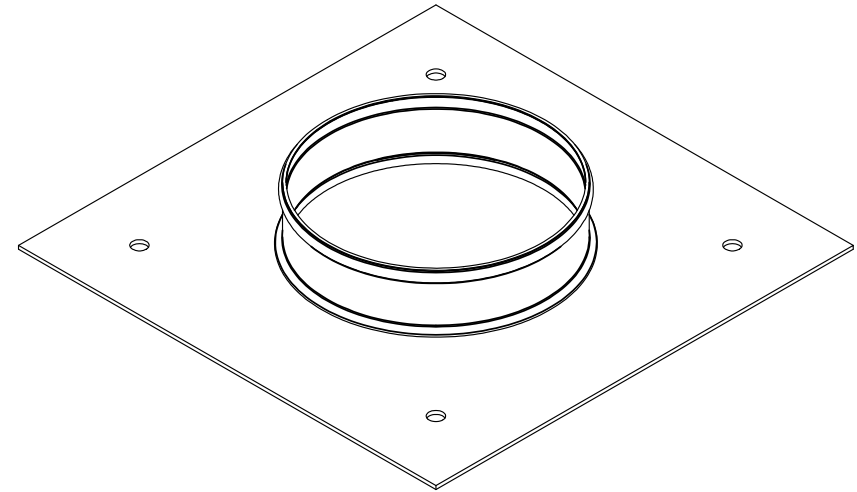
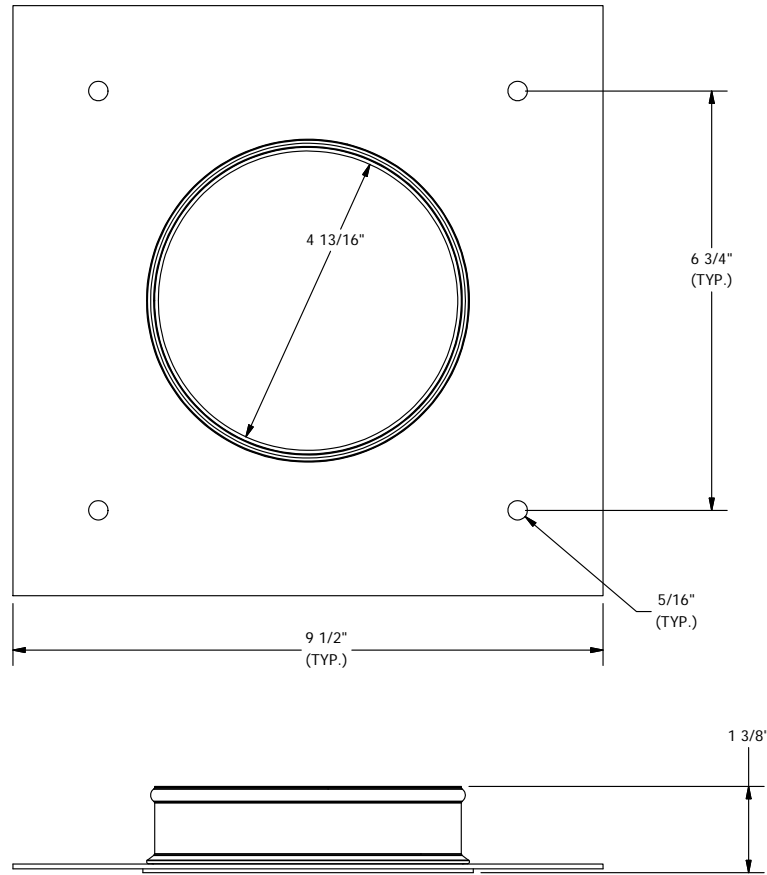


PARTS LIST						
ITEM	QTY	PART NO.	PART DESCRIPTION	LENGTH	UNIT WT.	NET WT.
1	1	E549	1X1 5" ENTRY PANEL		0.72	0.72



INCLUDES SEALING CAPS AND
ALL NECESSARY MOUNTING HARDWARE

TOLERANCE NOTES

**TOLERANCES ON DIMENSIONS, UNLESS OTHERWISE NOTED ARE:
SAWED, SHEARED AND GAS CUT EDGES (± 0.030 ")
DRILLED AND GAS CUT HOLES (± 0.030 ") - NO CONING OF HOLES
LASER CUT EDGES AND HOLES (± 0.010 ") - NO CONING OF HOLES
BENDS ARE $\pm 1/2$ DEGREE
ALL OTHER MACHINING (± 0.030 ")
ALL OTHER ASSEMBLY (± 0.060 ")**

**PROPRIETARY NOTE:
THE DATA AND TECHNIQUES CONTAINED IN THIS DRAWING ARE PROPRIETARY INFORMATION OF VALMONT
INDUSTRIES AND CONSIDERED A TRADE SECRET. ANY USE OR DISCLOSURE WITHOUT THE CONSENT OF
VALMONT INDUSTRIES IS STRICTLY PROHIBITED.**

DESCRIPTION
1X1
5" ENTRY PANEL

SITE PRO 1
A valmont COMPANY
Locations:
New York, NY
Atlanta, GA
Los Angeles, CA
Plymouth, IN
Salem, OR
Dallas, TX
Engineering Support Team:
1-888-753-7446

CPD NO.	DRAWN BY	ENG. APPROVAL
81	CEK 4/17/2012	KAC 4/24/2012
CLASS	SUB	DRAWING USAGE
81	01	CUSTOMER

PART NO.	E549	PAGE
DWG. NO.	E549	1 OF 1