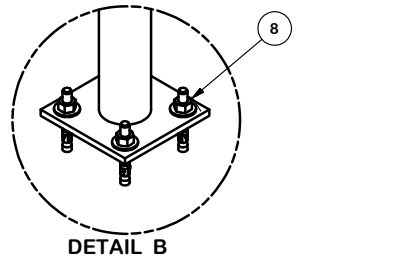
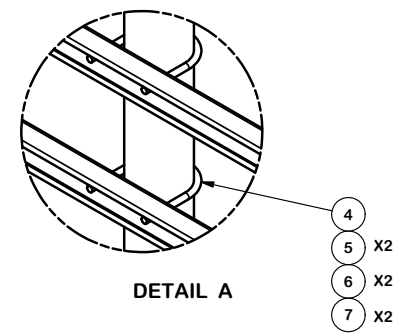


PARTS LIST						
ITEM	QTY	PART NO.	PART DESCRIPTION	LENGTH	UNIT WT.	NET WT.
1	2	X-SP126	BASE SHOE PLATE PIPE COLUMN		89.00	177.99
2	2	PC312	3-1/2" FENCE POST CAP		0.59	1.17
3	10	UNT10	UNISTRUT		20.38	203.79
4	20	X-UB3312	3/8" X 3-1/2" X 4-3/4" X 2" U-BOLT (HDG.)		0.73	14.63
5	40	G38FW	3/8" HDG USS FLATWASHER		0.01	0.47
6	40	G38LW	3/8" HDG LOCKWASHER		0.01	0.27
7	40	G38NUT	3/8" HDG HEAVY 2H HEX NUT		0.03	1.35
8	8	SWA585	5/8" X 5" STAINLESS WEDGE ANCHOR		0.64	5.09
9	20	UNICAP	UNISTRUT END CAP		0.03	0.64
					TOTAL WT. #	398.36



TOLERANCE NOTES
 TOLERANCES ON DIMENSIONS, UNLESS OTHERWISE NOTED ARE:
 SAWED, SHEARED AND GAS CUT EDGES ($\pm 0.030"$)
 DRILLED AND GAS CUT HOLES ($\pm 0.030"$) - NO CONING OF HOLES
 LASER CUT EDGES AND HOLES ($\pm 0.010"$) - NO CONING OF HOLES
 BENDS ARE $\pm 1/2$ DEGREE
 ALL OTHER MACHINING ($\pm 0.030"$)
 ALL OTHER ASSEMBLY ($\pm 0.060"$)

PROPRIETARY NOTE:
 THE DATA AND TECHNIQUES CONTAINED IN THIS DRAWING ARE PROPRIETARY INFORMATION OF VALMONT INDUSTRIES AND CONSIDERED A TRADE SECRET. ANY USE OR DISCLOSURE WITHOUT THE CONSENT OF VALMONT INDUSTRIES IS STRICTLY PROHIBITED.

DESCRIPTION			
EQUIPMENT RACK BASE SHOE 10 LEVELS			
CPD NO.	DRAWN BY	ENG. APPROVAL	
	CEK	1/14/2015	
CLASS	SUB	DRAWING USAGE	CHECKED BY
81	02	CUSTOMER	BMC
			1/14/2015

 A valmont COMPANY	Locations: New York, NY Atlanta, GA Los Angeles, CA Plymouth, IN Salem, OR Dallas, TX
	Engineering Support Team: 1-888-753-7446
PART NO.	ER106B
DWG. NO.	ER106-B