

PARTS LIST						
ITEM	QTY	PART NO.	PART DESCRIPTION	LENGTH	UNIT WT.	NET WT.
1	1	2PBG	24" PIPE MOUNT STANDOFF ARM		71.96	71.96
2	1	CFM	UPPER GATE FOOT WELDMENT		13.90	13.90
3	1	CFS	LOWER GATE FOOT WELDMENT		12.72	12.72
4	2	A1205	1/2" x 5" A325 HDG BOLT	5 in.	0.34	0.69
5	49	G12LW	1/2" HDG LOCKWASHER		0.01	0.68
6	2	A12NUT	1/2" HDG A325 HEX NUT		0.07	0.14
7	47	G12NUT	1/2" HDG HEAVY 2H HEX NUT		0.07	3.37
8	8	G12R-12	1/2" x 12" THREADED ROD (HDG.)		0.35	2.81
8	8	G12R-15	1/2" x 15" THREADED ROD (HDG.)		0.84	6.69
9	2	GBB	GATE BACKING BAR		4.53	9.06
10	2	SCX4	CROSSOVER PLATE	8.500 in	6.02	12.04
11	4	X-UB1358	1/2" X 3-5/8" X 5-1/2" X 3" U-BOLT (HDG.)		0.66	2.63
12	32	G12FW	1/2" HDG USS FLATWASHER		0.03	1.09
13	2	P2126	2-3/8" OD X 126" SCH 40 GALVANIZED PIPE	126	40.37	80.74
14	4	X-UB1300	1/2" X 3" X 5" X 2" U-BOLT (HDG.)		0.66	2.63
15	1	SCX1	CROSSOVER PLATE 2-3/8" X 2-3/8"		3.71	3.71
16	1	P2150	2-3/8" OD X 150" SCH 40 GALVANIZED PIPE	150.0000 in	48.06	48.06
17	4	X-UB1212	1/2" X 2-1/2" X 4-1/2" X 2" U-BOLT (HDG.)		0.63	2.50
18	1	X-STA3	STIFF ARM ANGLE BRACKET	2.500 in	1.39	1.39
19	2	X-STU	STIFF ARM CHANNEL BRACKET		1.37	2.74
20	1	SAM	STIFF ARM MOUNT CLAMP		0.77	0.77
21	1	ACP	4-1/16" CLAMP HALF, 1/4" THK.		0.65	0.65
22	2	G1203	1/2" x 3" HDG HEX BOLT GR5 FULL THREAD	3	0.22	0.43
23	1	G12112	1/2" x 1-1/2" HDG HEX BOLT GR5	1 1/2	0.15	0.15
24	1	G58112	5/8" x 1-1/2" HDG BOLT	1.5	0.25	0.25
25	1	G58LW	5/8" HDG LOCKWASHER		0.03	0.03
26	1	G58NUT	5/8" HDG HEAVY 2H HEX NUT		0.13	0.13
27	2	G12R-10	1/2" x 10" THREADED ROD (HDG.)		0.35	0.70
					TOTAL WT. #	286.24

TOLERANCE NOTES

TOLERANCES ON DIMENSIONS, UNLESS OTHERWISE NOTED ARE:
 SAWED, SHEARED AND GAS CUT EDGES ($\pm 0.030"$)
 DRILLED AND GAS CUT HOLES ($\pm 0.030"$) - NO CONING OF HOLES
 LASER CUT EDGES AND HOLES ($\pm 0.010"$) - NO CONING OF HOLES
 BENDS ARE $\pm 1/2$ DEGREE
 ALL OTHER MACHINING ($\pm 0.030"$)
 ALL OTHER ASSEMBLY ($\pm 0.060"$)

PROPRIETARY NOTE:
 THE DATA AND TECHNIQUES CONTAINED IN THIS DRAWING ARE PROPRIETARY INFORMATION OF VALMONT INDUSTRIES AND CONSIDERED A TRADE SECRET. ANY USE OR DISCLOSURE WITHOUT THE CONSENT OF VALMONT INDUSTRIES IS STRICTLY PROHIBITED.

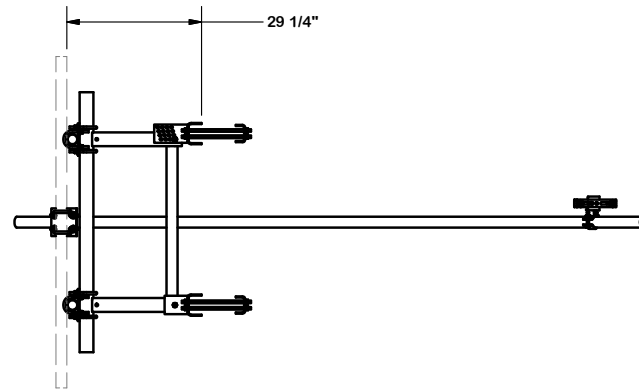
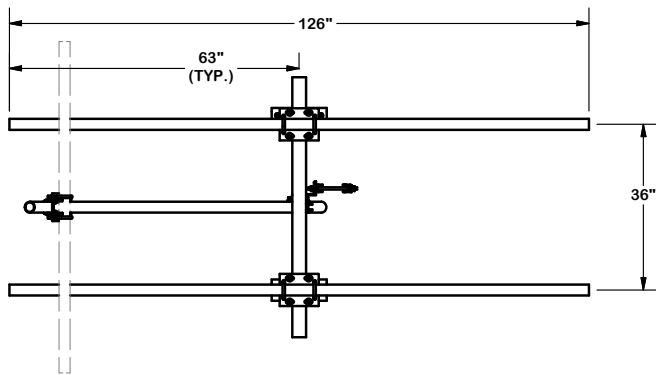
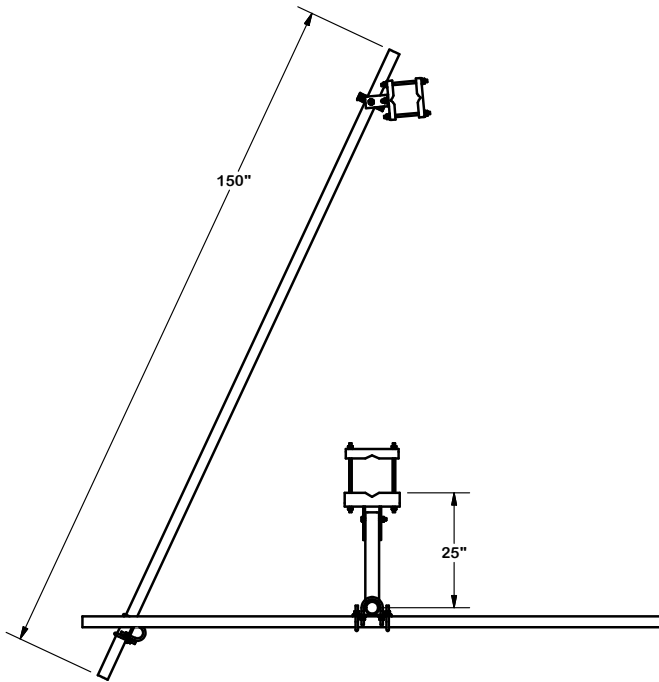
DESCRIPTION
**BUILD-A-FRAME
 ULTIMATE SECTOR FRAME
 WITH ONE STIFF ARM**

CPD NO. 5001	DRAWN BY CEK 4/11/2011	ENG. APPROVAL
CLASS SUB 81 01	DRAWING USAGE CUSTOMER	CHECKED BY BMC 4/28/2011

SITE PRO 1
 Engineering Support Team:
 1-888-753-7446

Locations:
 New York, NY
 Atlanta, GA
 Los Angeles, CA
 Plymouth, IN
 Salem, OR
 Dallas, TX

PART NO. EUSF10-U	DWG. NO. EUSF10-U
-----------------------------	-----------------------------



TOLERANCE NOTES

TOLERANCES ON DIMENSIONS, UNLESS OTHERWISE NOTED ARE:
 SAWED, SHEARED AND GAS CUT EDGES ($\pm 0.030"$)
 DRILLED AND GAS CUT HOLES ($\pm 0.030"$) - NO CONING OF HOLES
 LASER CUT EDGES AND HOLES ($\pm 0.010"$) - NO CONING OF HOLES
 BENDS ARE $\pm 1/2$ DEGREE
 ALL OTHER MACHINING ($\pm 0.030"$)
 ALL OTHER ASSEMBLY ($\pm 0.060"$)

PROPRIETARY NOTE:
 THE DATA AND TECHNIQUES CONTAINED IN THIS DRAWING ARE PROPRIETARY INFORMATION OF VALMONT INDUSTRIES AND CONSIDERED A TRADE SECRET. ANY USE OR DISCLOSURE WITHOUT THE CONSENT OF VALMONT INDUSTRIES IS STRICTLY PROHIBITED.

DESCRIPTION
**BUILD-A-FRAME
 ULTIMATE SECTOR FRAME
 WITH ONE STIFF ARM**

CPD NO. 5001	DRAWN BY CEK 4/11/2011	ENG. APPROVAL
CLASS 81	SUB 01	DRAWING USAGE CUSTOMER
		CHECKED BY BMC 4/28/2011



Engineering
 Support Team:
 1-888-753-7446

Locations:
 New York, NY
 Atlanta, GA
 Los Angeles, CA
 Plymouth, IN
 Salem, OR
 Dallas, TX

PART NO. EUSF10-U	PAGE 2 OF 2
DWG. NO. EUSF10-U	