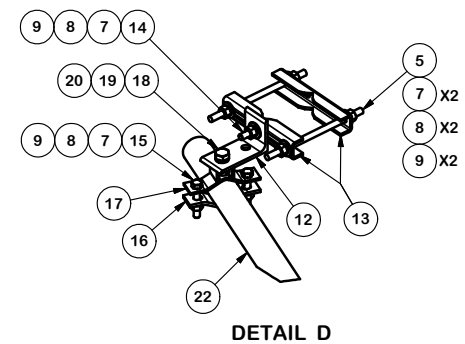
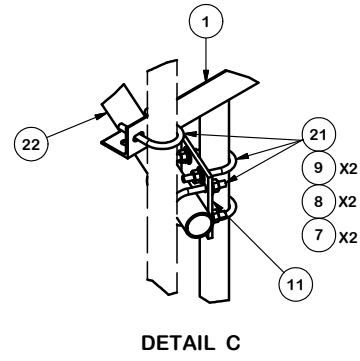
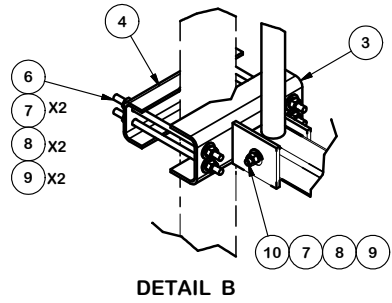
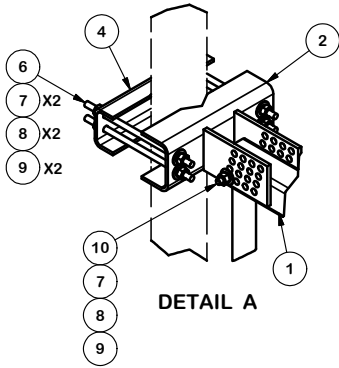


ITEM	QTY	PART NO.	PART DESCRIPTION	LENGTH	UNIT WT.	NET WT.
1	1	X-FF123	FOLD A FRAME 12', 3' STANDOFF		224.75	224.75
2	1	CFM	UPPER GATE FOOT WELDMENT		13.90	13.90
3	1	CFS	LOWER GATE FOOT WELDMENT		12.72	12.72
4	2	GBB	GATE BACKING BAR		4.53	9.06
5	2	G12R-10	1/2" x 10" THREADED ROD (HDG.)		0.35	0.70
6	8	G12R-12	1/2" x 12" THREADED ROD (HDG.)		0.35	2.81
6	8	G12R-15	1/2" x 15" THREADED ROD (HDG.)		0.35	2.81
7	49	G12NUT	1/2" HDG HEAVY 2H HEX NUT		0.07	3.51
8	49	G12LW	1/2" HDG LOCKWASHER		0.01	0.68
9	49	G12FW	1/2" HDG USS FLATWASHER		0.03	1.67
10	2	A1205	1/2" x 5" A325 HDG BOLT	5 in.	0.34	0.69
11	1	SCX1	CROSSOVER PLATE 2-3/8" X 2-3/8"		3.71	3.71
12	1	X-STA3	STIFF ARM ANGLE BRACKET	2.5 in	1.39	1.39
13	2	X-STU	STIFF ARM CHANNEL BRACKET		1.37	2.74
14	1	G1202	1/2" x 2" HDG HEX BOLT GR5	2 in	0.18	0.18
15	2	G1203	1/2" x 3" HDG HEX BOLT GR5 FULL THREAD	3 in	0.22	0.43
16	1	ACP	4-1/16" CLAMP HALF, 1/4" THK.		0.65	0.65
17	1	SAM	STIFF ARM MOUNT CLAMP		0.77	0.77
18	1	G58112	5/8" x 1-1/2" HDG BOLT	1.5 in	0.25	0.25
19	1	G58LW	5/8" HDG LOCKWASHER		0.03	0.03
20	1	G58NUT	5/8" HDG HEAVY 2H HEX NUT		0.13	0.13
21	12	X-UB1212	1/2" X 2-1/2" X 4-1/2" X 2" U-BOLT (HDG.)		0.63	7.50
22	1	P2150	2-3/8" OD X 150" SCH 40 GALVANIZED PIPE	150 in	48.06	48.06
					TOTAL WT. #	346.18

SEE SHEET 3

CONFIGURED TO ACCEPT 2, 3 OR 4 ANTENNA PIPES
(ORDER MOUNTING PIPES SEPARATELY)



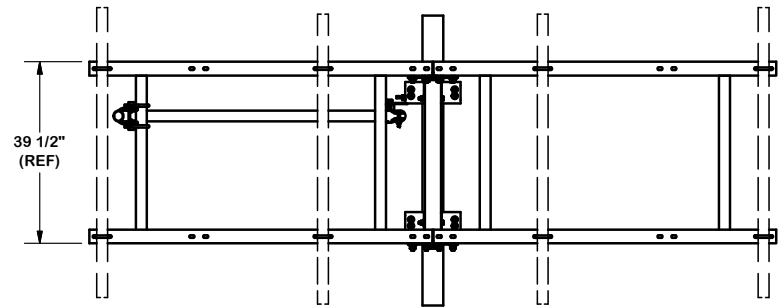
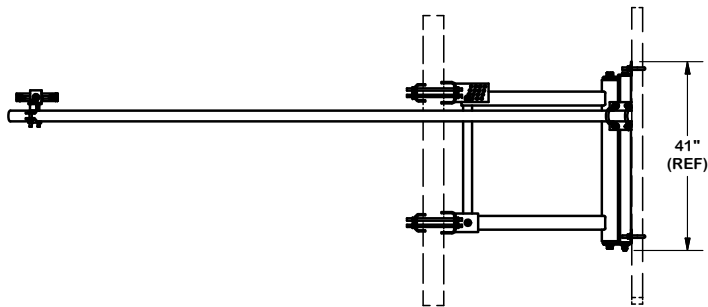
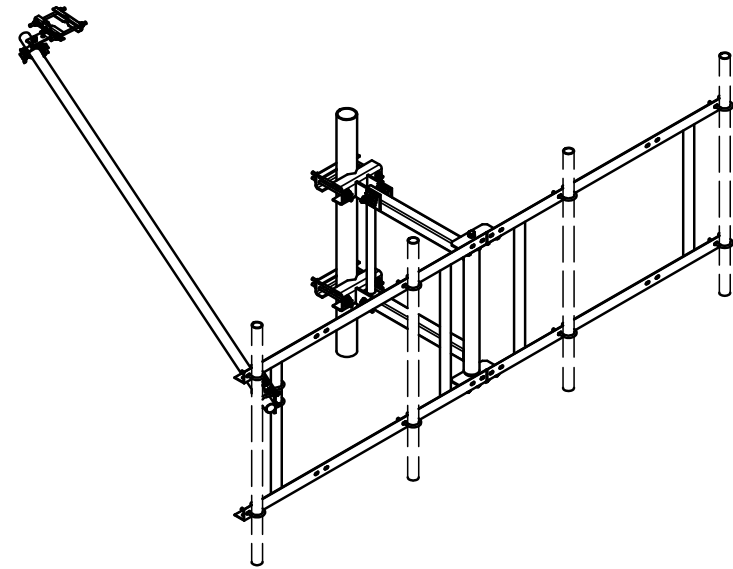
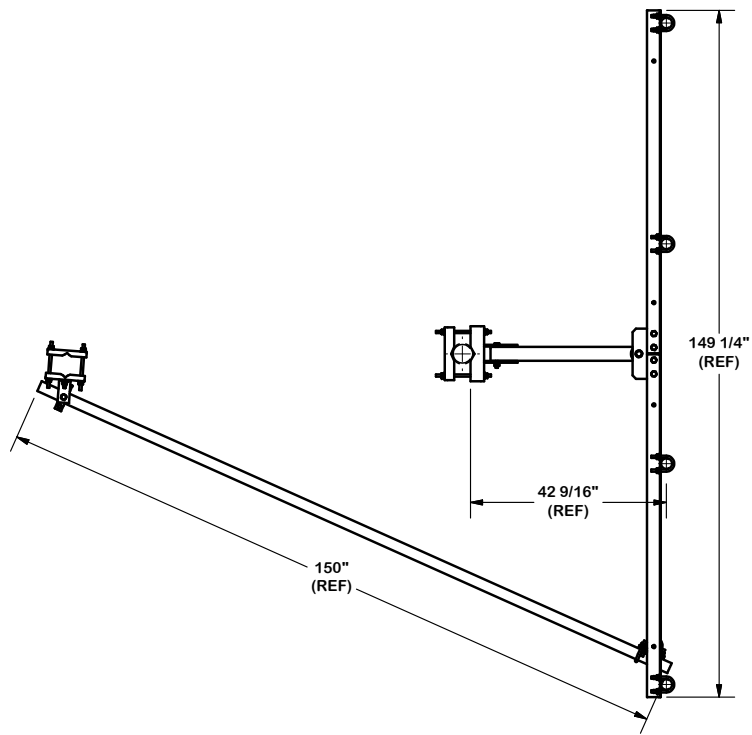
SEE SHT 2 FOR DETAILS

TOLERANCE NOTES
 TOLERANCES ON DIMENSIONS, UNLESS OTHERWISE NOTED ARE:
 SAWED, SHEARED AND GAS CUT EDGES ($\pm 0.030"$)
 DRILLED AND GAS CUT HOLES ($\pm 0.030"$) - NO CONING OF HOLES
 LASER CUT EDGES AND HOLES ($\pm 0.010"$) - NO CONING OF HOLES
 BENDS ARE $\pm 1/2$ DEGREE
 ALL OTHER MACHINING ($\pm 0.030"$)
 ALL OTHER ASSEMBLY ($\pm 0.060"$)

PROPRIETARY NOTE:
 THE DATA AND TECHNIQUES CONTAINED IN THIS DRAWING ARE PROPRIETARY INFORMATION OF VALMONT INDUSTRIES AND CONSIDERED A TRADE SECRET. ANY USE OR DISCLOSURE WITHOUT THE CONSENT OF VALMONT INDUSTRIES IS STRICTLY PROHIBITED.

DESCRIPTION		12'-6" UNIVERSAL FOLDING FRAME WITH (1) STIFF ARM	
CPD NO.	DRAWN BY	ENG. APPROVAL	
4647	KC8	8/8/2012	
CLASS	SUB	DRAWING USAGE	CHECKED BY
81	01	CUSTOMER	CEK 2/19/2013

 A valmont COMPANY	Locations: New York, NY Atlanta, GA Los Angeles, CA Plymouth, IN Salem, OR Dallas, TX
	Engineering Support Team: 1-888-753-7446
PART NO.	FF12-U
DWG. NO.	FF12-U



TOLERANCE NOTES

**TOLERANCES ON DIMENSIONS, UNLESS OTHERWISE NOTED ARE:
 SAWED, SHEARED AND GAS CUT EDGES (± 0.030)
 DRILLED AND GAS CUT HOLES (± 0.030) - NO CONING OF HOLES
 LASER CUT EDGES AND HOLES (± 0.010) - NO CONING OF HOLES
 BENDS ARE $\pm 1/2$ DEGREE
 ALL OTHER MACHINING (± 0.030)
 ALL OTHER ASSEMBLY (± 0.060)**

**PROPRIETARY NOTE:
 THE DATA AND TECHNIQUES CONTAINED IN THIS DRAWING ARE PROPRIETARY INFORMATION OF VALMONT
 INDUSTRIES AND CONSIDERED A TRADE SECRET. ANY USE OR DISCLOSURE WITHOUT THE CONSENT OF
 VALMONT INDUSTRIES IS STRICTLY PROHIBITED.**

DESCRIPTION
**12'-6" UNIVERSAL FOLDING FRAME
 WITH (1) STIFF ARM**

SITE PRO 1
 Engineering Support Team:
 1-888-753-7446
 Locations:
 New York, NY
 Atlanta, GA
 Los Angeles, CA
 Plymouth, IN
 Salem, OR
 Dallas, TX

CPD NO. 4647	DRAWN BY KC8	8/8/2012	ENG. APPROVAL
CLASS 81	SUB 01	DRAWING USAGE CUSTOMER	CHECKED BY CEK
		2/19/2013	

PART NO. FF12-U	PAGE 2 OF 2
DWG. NO. FF12-U	