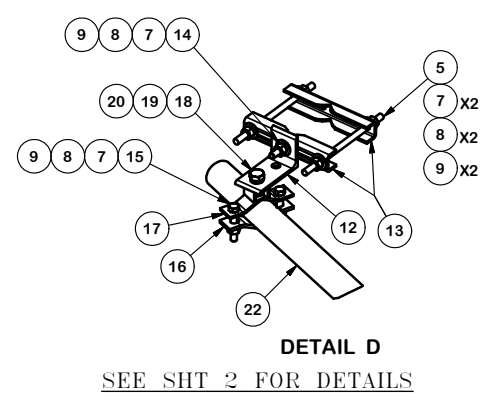
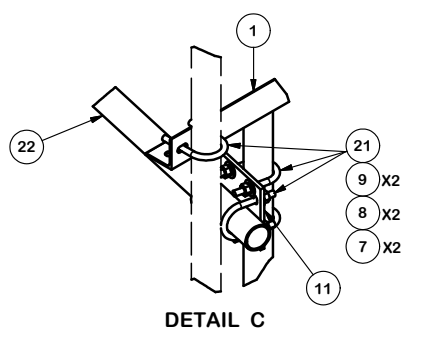
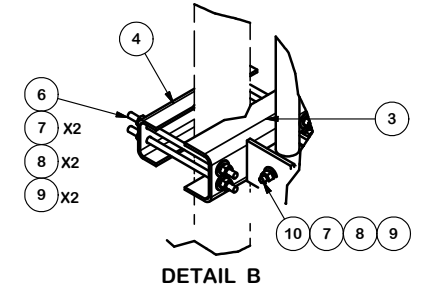
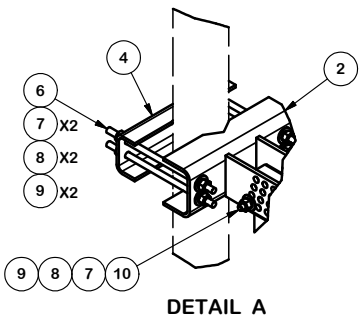


ITEM	QTY	PART NO.	PART DESCRIPTION	LENGTH	UNIT WT.	NET WT.
1	1	X-FF123	FOLD A FRAME 12', 3' STANDOFF		224.75	224.75
2	1	CFM	UPPER GATE FOOT WELDMENT		13.90	13.90
3	1	CFS	LOWER GATE FOOT WELDMENT		12.72	12.72
4	2	GBB	GATE BACKING BAR		4.53	9.06
5	4	G12R-10	1/2" x 10" THREADED ROD (HDG.)		0.35	1.41
6	8	G12R-12	1/2" x 12" THREADED ROD (HDG.)		0.35	2.81
6	8	G12R-15	1/2" x 15" THREADED ROD (HDG.)		0.35	2.81
7	64	G12NUT	1/2" HDG HEAVY 2H HEX NUT		0.07	4.58
8	64	G12LW	1/2" HDG LOCKWASHER		0.01	0.89
9	64	G12FW	1/2" HDG USS FLATWASHER		0.03	2.18
10	2	A1205	1/2" x 5" A325 HDG BOLT	5 in.	0.34	0.69
11	2	SCX1	CROSSOVER PLATE 2-3/8" X 2-3/8"		3.71	7.42
12	2	X-STA3	STIFF ARM ANGLE BRACKET	2.5 in	1.39	2.78
13	4	X-STU	STIFF ARM CHANNEL BRACKET		1.37	5.48
14	2	G1202	1/2" x 2" HDG HEX BOLT GR5	2 in	0.18	0.35
15	4	G1203	1/2" x 3" HDG HEX BOLT GR5 FULL THREAD	3 in	0.22	0.87
16	2	ACP	CLAMP HALF 1/4" THICK, 5-3/4" LONG		0.65	1.30
17	2	SAM	STIFF ARM MOUNT CLAMP		.77	1.54
18	2	G58112	5/8" x 1-1/2" HDG BOLT	1.5 in	0.25	0.49
19	2	G58LW	5/8" HDG LOCKWASHER		0.03	0.05
20	2	G58NUT	5/8" HDG HEAVY 2H HEX NUT		0.13	0.26
21	16	X-UB1212	1/2" X 2-1/2" X 4-1/2" X 2" U-BOLT (HDG.)		0.63	10.00
22	2	P2150	2-3/8" OD X 150" SCH 40 GALVANIZED PIPE	150 in	48.06	96.12
					TOTAL WT. #	409.70

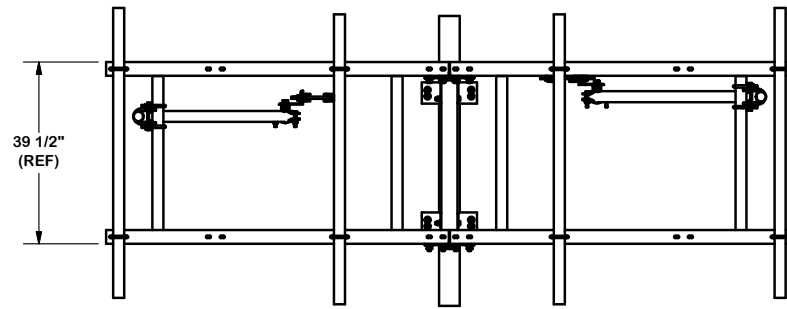
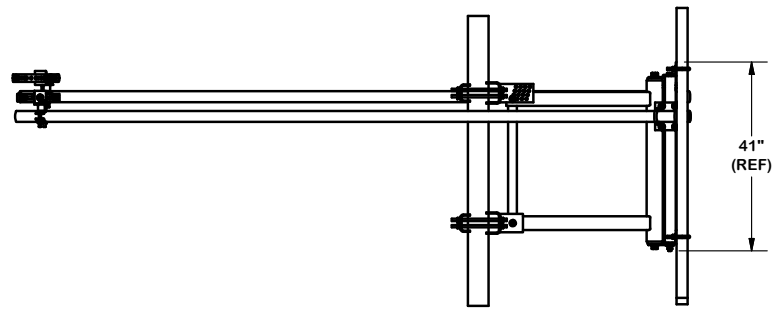
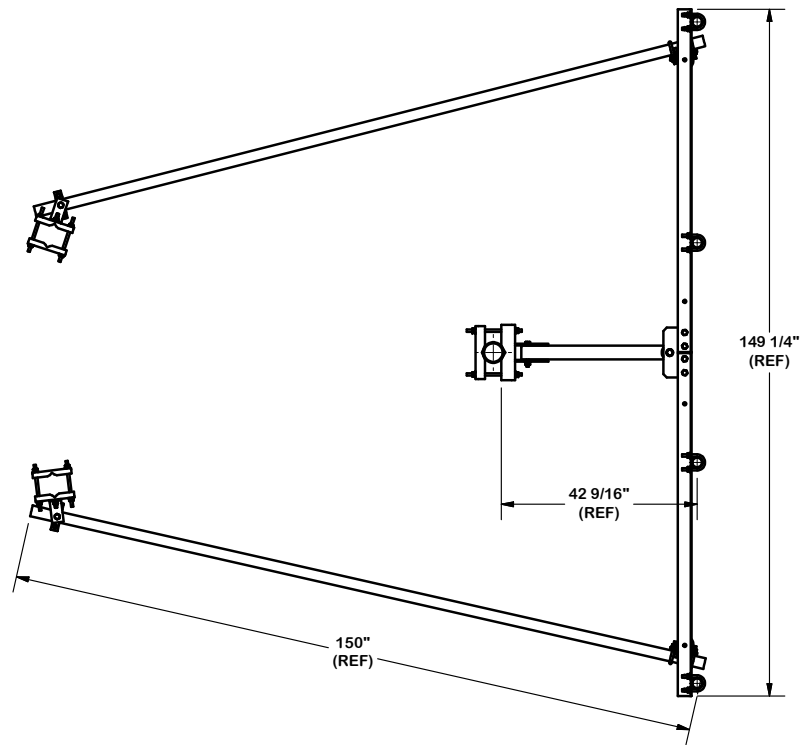


TOLERANCE NOTES
 TOLERANCES ON DIMENSIONS, UNLESS OTHERWISE NOTED ARE:
 SAWED, SHEARED AND GAS CUT EDGES ($\pm 0.030"$)
 DRILLED AND GAS CUT HOLES ($\pm 0.030"$) - NO CONING OF HOLES
 LASER CUT EDGES AND HOLES ($\pm 0.010"$) - NO CONING OF HOLES
 BENDS ARE $\pm 1/2$ DEGREE
 ALL OTHER MACHINING ($\pm 0.030"$)
 ALL OTHER ASSEMBLY ($\pm 0.060"$)

PROPRIETARY NOTE:
 THE DATA AND TECHNIQUES CONTAINED IN THIS DRAWING ARE PROPRIETARY INFORMATION OF VALMONT INDUSTRIES AND CONSIDERED A TRADE SECRET. ANY USE OR DISCLOSURE WITHOUT THE CONSENT OF VALMONT INDUSTRIES IS STRICTLY PROHIBITED.

DESCRIPTION		12'-6" UNIVERSAL FOLDING FRAME WITH (2) STIFF ARM KITS	
CPD NO.	DRAWN BY	ENG. APPROVAL	
4647	KC8	8/8/2012	
CLASS	SUB	DRAWING USAGE	CHECKED BY
81	01	CUSTOMER	CEK 2/19/2013

 A valmont COMPANY	Locations: New York, NY Atlanta, GA Los Angeles, CA Plymouth, IN Salem, OR Dallas, TX
	Engineering Support Team: 1-888-753-7446
PART NO.	FFD12-U
DWG. NO.	FFD12-U



TOLERANCE NOTES

**TOLERANCES ON DIMENSIONS, UNLESS OTHERWISE NOTED ARE:
 SAWED, SHEARED AND GAS CUT EDGES (± 0.030)
 DRILLED AND GAS CUT HOLES (± 0.030) - NO CONING OF HOLES
 LASER CUT EDGES AND HOLES (± 0.010) - NO CONING OF HOLES
 BENDS ARE $\pm 1/2$ DEGREE
 ALL OTHER MACHINING (± 0.030)
 ALL OTHER ASSEMBLY (± 0.060)**

PROPRIETARY NOTE:
 THE DATA AND TECHNIQUES CONTAINED IN THIS DRAWING ARE PROPRIETARY INFORMATION OF VALMONT INDUSTRIES AND CONSIDERED A TRADE SECRET. ANY USE OR DISCLOSURE WITHOUT THE CONSENT OF VALMONT INDUSTRIES IS STRICTLY PROHIBITED.

DESCRIPTION
**12'-6" UNIVERSAL FOLDING FRAME
 WITH (2) STIFF ARM KITS**

CPD NO. 4647	DRAWN BY KC8	8/8/2012	ENG. APPROVAL
CLASS 81	SUB 01	DRAWING USAGE CUSTOMER	CHECKED BY CEK 2/19/2013

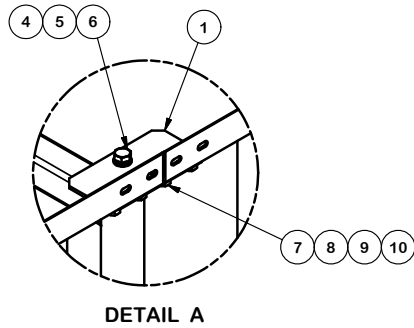
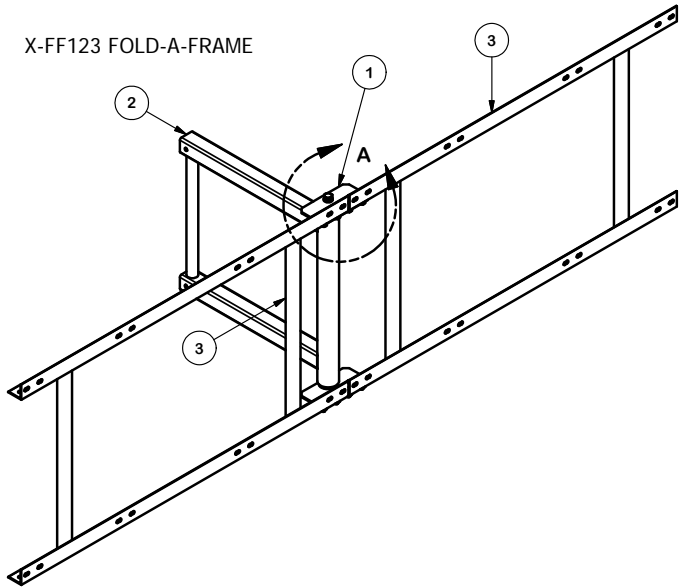
SITE PRO 1
 A valmont COMPANY

Locations:
 New York, NY
 Atlanta, GA
 Los Angeles, CA
 Plymouth, IN
 Salem, OR
 Dallas, TX

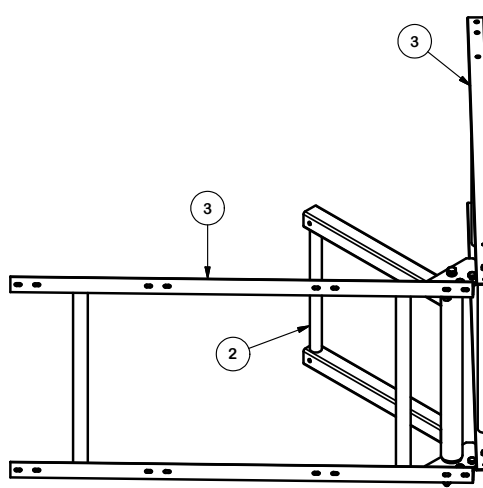
Engineering Support Team:
 1-888-753-7446

PART NO. FFD12-U	PAGE 2 OF 3
DWG. NO. FFD12-U	

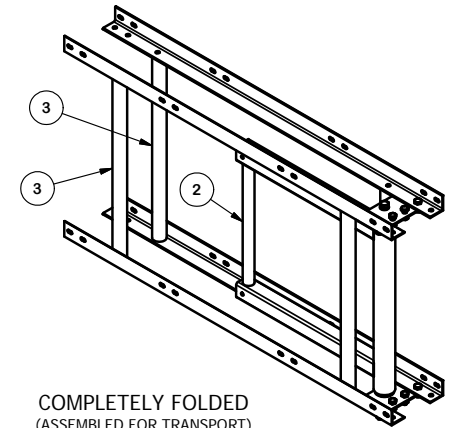
X-FF123 FOLD-A-FRAME



DETAIL A



PARTIALLY FOLDED



COMPLETELY FOLDED
(ASSEMBLED FOR TRANSPORT)

ITEM	QTY	PART NO.	PART DESCRIPTION	LENGTH	UNIT WT.	NET WT.
1	2	229975	CENTER PIVOT PLATE FOR X-FF123		4.38	8.75
2	1	229967	SUPPORT FRAME WELDMENT (X-FF123)		68.32	68.32
3	2	229972	FRAME WELDMENT FOR X-FF123 (SITE PRO)		71.38	142.75
6	2	G34LW	3/4" HDG LOCKWASHER		0.04	0.09
4	2	A34112	3/4" X 1-1/2" HDG A325 HEX BOLT	1 1/2 in	0.38	0.76
5	2	G34FW	3/4" HDG USS FLATWASHER		0.06	0.12
8	8	G58FW	5/8" HDG USS FLATWASHER		0.07	0.56
9	8	G58LW	5/8" HDG LOCKWASHER		0.03	0.21
10	8	G58NUT	5/8" HDG HEAVY 2H HEX NUT		0.13	1.04
7	8	A58134	5/8" X 1-3/4" HDG A325 BOLT	1 3/4 in	0.27	2.15

TOTAL WT. #224.75

TOLERANCE NOTES

TOLERANCES ON DIMENSIONS, UNLESS OTHERWISE NOTED ARE:
 SAWED, SHEARED AND GAS CUT EDGES ($\pm 0.030"$)
 DRILLED AND GAS CUT HOLES ($\pm 0.030"$) - NO CONING OF HOLES
 LASER CUT EDGES AND HOLES ($\pm 0.010"$) - NO CONING OF HOLES
 BENDS ARE $\pm 1/2$ DEGREE
 ALL OTHER MACHINING ($\pm 0.030"$)
 ALL OTHER ASSEMBLY ($\pm 0.060"$)

PROPRIETARY NOTE:
 THE DATA AND TECHNIQUES CONTAINED IN THIS DRAWING ARE PROPRIETARY INFORMATION OF VALMONT INDUSTRIES AND CONSIDERED A TRADE SECRET. ANY USE OR DISCLOSURE WITHOUT THE CONSENT OF VALMONT INDUSTRIES IS STRICTLY PROHIBITED.

DESCRIPTION
 12'-6" UNIVERSAL FOLDING FRAME
 WITH (2) STIFF ARM KITS

CPD NO. 4647	DRAWN BY KC8	8/8/2012	ENG. APPROVAL
CLASS 81	SUB 01	DRAWING USAGE CUSTOMER	CHECKED BY CEK 2/19/2013

SITE PRO 1
 Engineering Support Team:
 1-888-753-7446

Locations:
 New York, NY
 Atlanta, GA
 Los Angeles, CA
 Plymouth, IN
 Salem, OR
 Dallas, TX

PART NO. X-FF123	3 OF 3
DWG. NO. FFD12-U	