

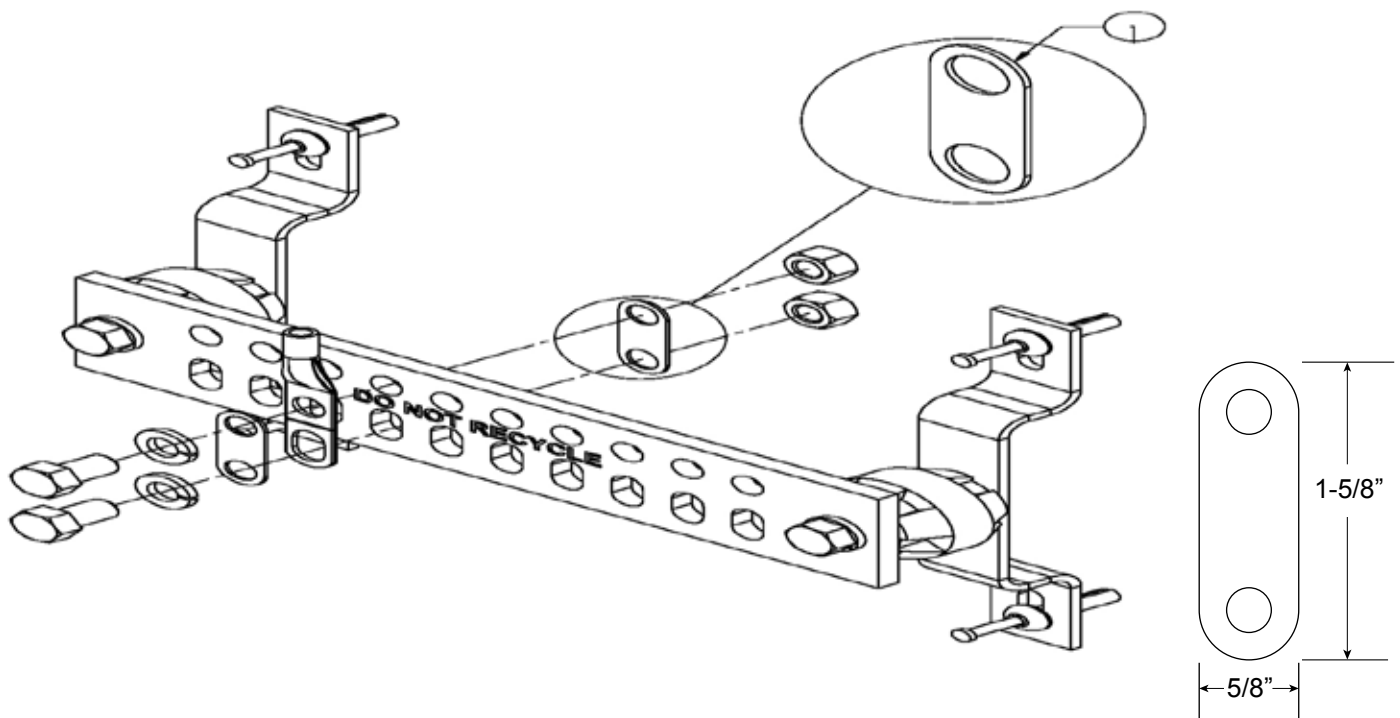
GW381-Ground Lug Washer, 2 Hole, 3/8" Stud, 1"

A **valmont** COMPANY

PRODUCT DESCRIPTION

GW381 Ground Lug Washers provide extra stability to universal slotted lugs to secure them to a buss bar grounding system. The stainless steel design provides corrosion resistance for all environments. The 2-hole design with 1" spacing accommodates 3/8" mounting hardware.

TYPICAL APPLICATIONS



SPECIFICATIONS

Part Number	Description	Kit Quantity	Weight Lbs
GW381	Ground Lug Washer, 2 Hole, 3/8" Stud, 1" Spacing.	Kit of 10	0.1