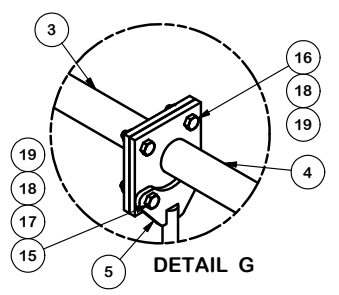
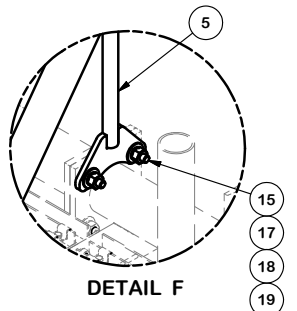
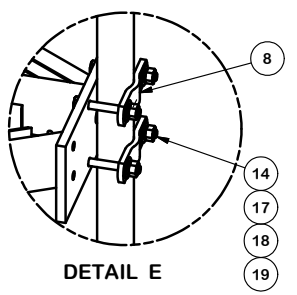
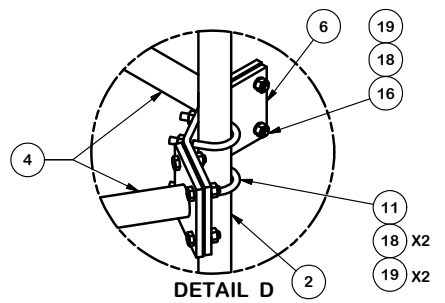
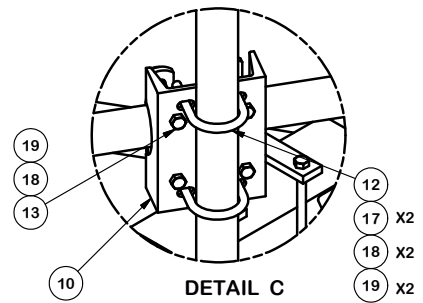
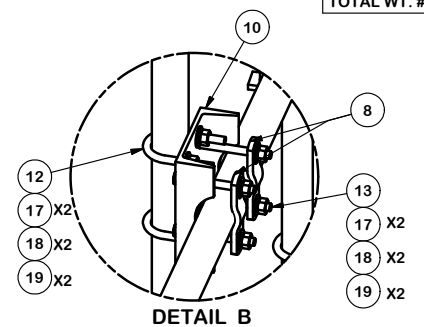
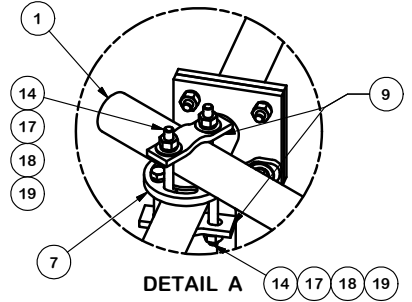


PARTS LIST						
ITEM	QTY	PART NO.	PART DESCRIPTION	LENGTH	UNIT WT.	NET WT.
1	3	P272	2-3/8" X 72" SCH 40 GALVANIZED PIPE	72 in	23.07	69.20
2	3	P263	2-3/8" X 63" SCH 40 GALVANIZED PIPE	63 in	20.18	60.55
3	3	X-152089	UPPER CENTER RAIL PIPE		25.95	77.86
4	6	X-152088	UPPER ENDRAIL PIPE		26.68	160.09
5	6	X-152087	VERTICAL SUPPORT		7.57	45.40
6	3	X-152086	END PLATE	17 3/8 in	14.40	43.19
7	6	X-123614	FLAT DISK CLAMP PLATE 3" CENTERS		1.52	9.09
8	30	X-100064	CLAMP (S) (4" V-CLAMP) GALVANIZED		0.91	27.39
9	12	X-116165	3" V-CLAMP	5 1/16 in	1.03	12.37
10	12	X-SP219	SMALL SUPPORT CROSS PLATE	8 1/4 in	8.61	103.33
11	6	X-155401	1/2" U-BOLT HDG (1/2"-13 X 4-1/2" X 2-1/8" X 3")		0.64	3.86
12	24	X-UB1212	1/2" X 2-1/2" X 4-1/2" X 2" U-BOLT (HDG.)		0.26	6.17
13	48	G1205	1/2" x 5" HDG HEX BOLT GR5 FULL THREAD	5 in	0.33	15.64
14	36	G1204	1/2" x 4" HDG HEX BOLT GR5 FULL THREAD	4 in	0.27	9.72
15	24	G12212	1/2" x 2-1/2" HDG HEX BOLT GR5	2 1/2 in	0.20	4.89
16	36	G1202	1/2" x 2" HDG HEX BOLT GR5	2 in	0.18	6.32
17	156	G12FW	1/2" HDG USS FLATWASHER	3/32 in	0.03	5.32
18	204	G12LW	1/2" HDG LOCKWASHER	1/8 in	0.01	2.84
19	204	G12NUT	1/2" HDG HEAVY 2H HEX NUT		0.07	14.61
					TOTAL WT. #	686.66



REV	DESCRIPTION OF REVISIONS	CPD	BY	DATE
	CHANGED DESCRIPTION HANRAIL TO SUPPORT RAIL		CEK	07/07/2016
B	UPDATED BILL OF MATERIALS	4537	CEK	04/29/2014
A	REDRAWN IN INV, UPDATED PARTS LIST & VIEWS		KC8	07/20/2012
	REVISION HISTORY			

**TOLERANCE NOTES**  
 TOLERANCES ON DIMENSIONS, UNLESS OTHERWISE NOTED ARE:  
 SAWED, SHEARED AND GAS CUT EDGES ( $\pm 0.030"$ )  
 DRILLED AND GAS CUT HOLES ( $\pm 0.030"$ ) - NO CONING OF HOLES  
 LASER CUT EDGES AND HOLES ( $\pm 0.010"$ ) - NO CONING OF HOLES  
 BENDS ARE  $\pm 1/2$  DEGREE  
 ALL OTHER MACHINING ( $\pm 0.030"$ )  
 ALL OTHER ASSEMBLY ( $\pm 0.060"$ )

**PROPRIETARY NOTE:**  
 THE DATA AND TECHNIQUES CONTAINED IN THIS DRAWING ARE PROPRIETARY INFORMATION OF VALMONT INDUSTRIES AND CONSIDERED A TRADE SECRET. ANY USE OR DISCLOSURE WITHOUT THE CONSENT OF VALMONT INDUSTRIES IS STRICTLY PROHIBITED.

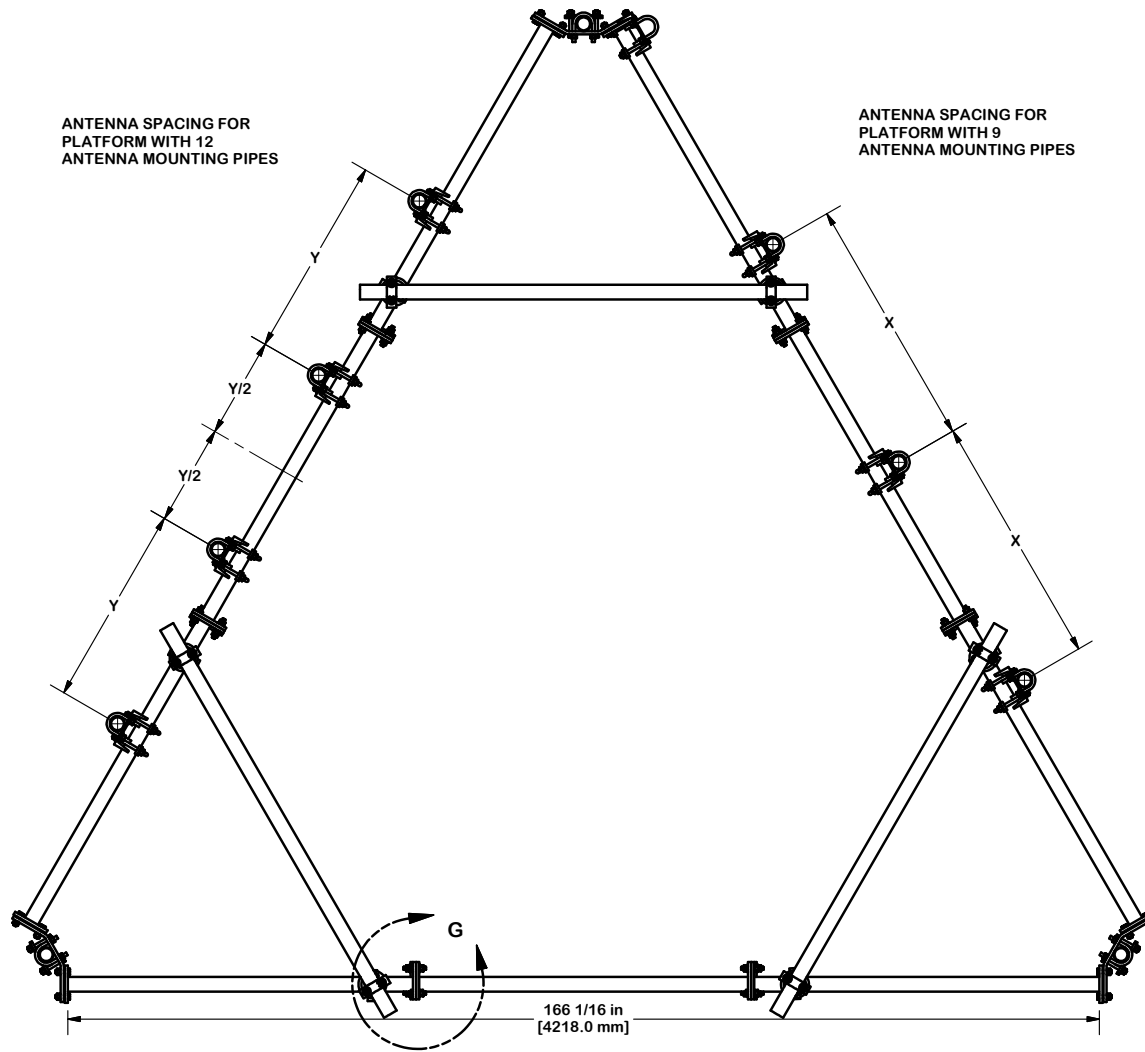
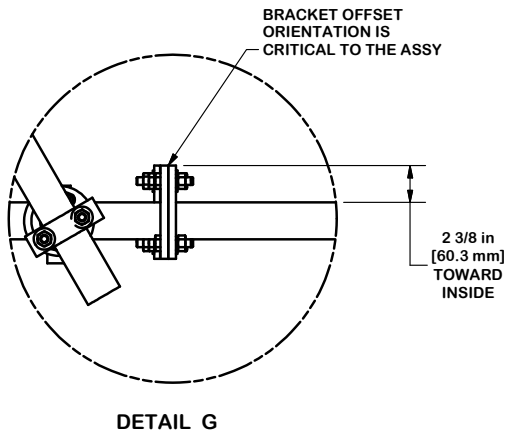
DESCRIPTION		SUPPORT RAIL KIT FOR 13' FACE (9 OR 12 ANTENNA PIPES)	
CPD NO.	4537	DRAWN BY	CEK 5/26/2010
CLASS	81	DRAWING USAGE	CUSTOMER
SUB	02	CHECKED BY	BMC 7/7/2016

**Engineering Support Team:**  
1-888-753-7446

A valmont COMPANY

Locations:  
New York, NY  
Atlanta, GA  
Los Angeles, CA  
Plymouth, IN  
Salem, OR  
Dallas, TX

PART NO.	<b>HAND13</b>
DWG. NO.	<b>HAND13</b>



REV	DESCRIPTION OF REVISIONS	CPD	BY	DATE
	CHANGED DESCRIPTION HANRAIL TO SUPPORT RAIL		CEK	07/07/2016
B	UPDATED BILL OF MATERIALS	4537	CEK	04/29/2014
A	REDRAWN IN INV, UPDATED PARTS LIST & VIEWS		CEK	07/20/2012
REVISION HISTORY				

**TOLERANCE NOTES**

TOLERANCES ON DIMENSIONS, UNLESS OTHERWISE NOTED ARE:  
 SAWED, SHEARED AND GAS CUT EDGES ( $\pm 0.030"$ )  
 DRILLED AND GAS CUT HOLES ( $\pm 0.030"$ ) - NO CONING OF HOLES  
 LASER CUT EDGES AND HOLES ( $\pm 0.010"$ ) - NO CONING OF HOLES  
 BENDS ARE  $\pm 1/2$  DEGREE  
 ALL OTHER MACHINING ( $\pm 0.030"$ )  
 ALL OTHER ASSEMBLY ( $\pm 0.060"$ )

PROPRIETARY NOTE:  
 THE DATA AND TECHNIQUES CONTAINED IN THIS DRAWING ARE PROPRIETARY INFORMATION OF VALMONT INDUSTRIES AND CONSIDERED A TRADE SECRET. ANY USE OR DISCLOSURE WITHOUT THE CONSENT OF VALMONT INDUSTRIES IS STRICTLY PROHIBITED.

DESCRIPTION		SUPPORT RAIL KIT FOR 13' FACE (9 OR 12 ANTENNA PIPES)	
CPD NO.	4537	DRAWN BY	CEK 5/26/2010
CLASS	81	DRAWING USAGE	CUSTOMER
SUB	02	CHECKED BY	BMC 7/7/2016

 A valmont COMPANY	Locations: New York, NY Atlanta, GA Los Angeles, CA Plymouth, IN Salem, OR Dallas, TX
	Engineering Support Team: 1-888-753-7446
PART NO.	HAND13
DWG. NO.	HAND13