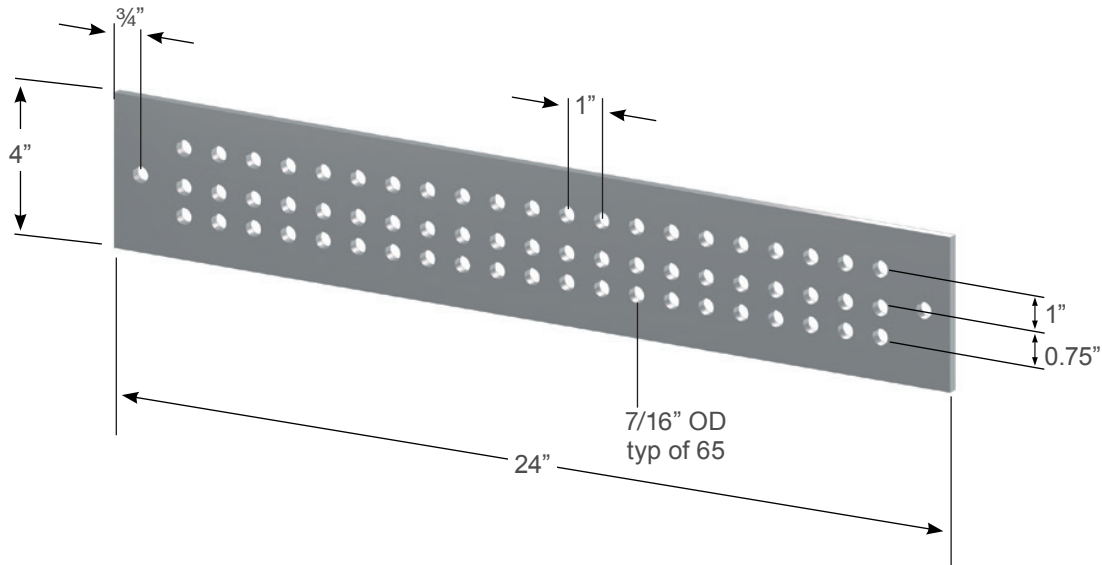


Galvanized MAX 24" Ground Bar (HDG42463)



Features:

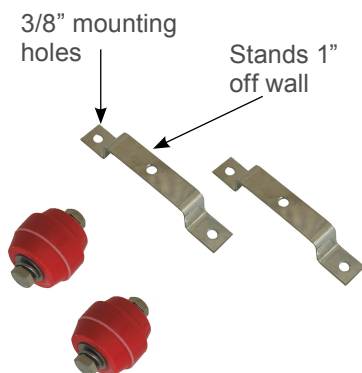
- The Galvanized MAX 24" offers universal hole spacing for 3/8" lugs
- 63 holes allow up to 21 runs with two-hole lugs
- Universal hole pattern can accept two-hole lugs with 0.750", 0.815", or 1" spacing
- HDG42463 is ground bar only; HDG42463 kit includes ground bar, stainless steel mounting brackets, and insulators

Construction:

- Constructed from 1/4" x 4" x 24" steel
- Hot-dip galvanized

Design Criteria:

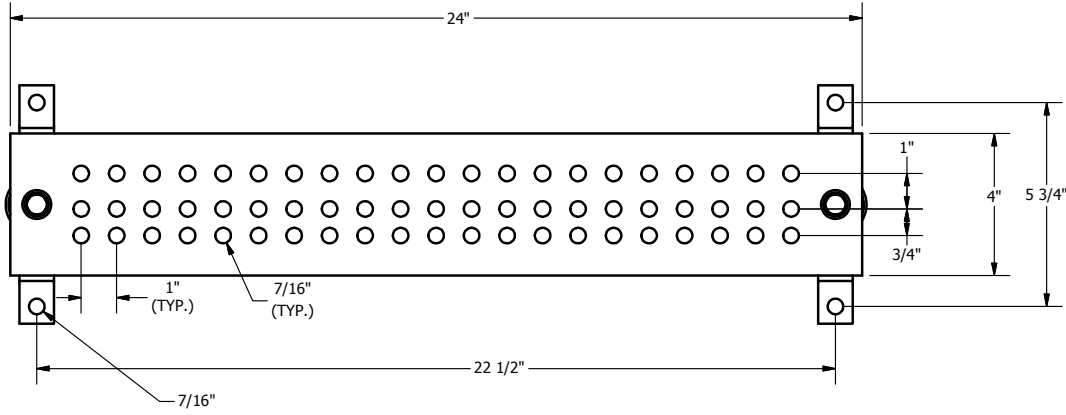
- Can be used outdoors or indoors
- Options include mounting hardware



Kits include:

- Complete kits include 304 stainless steel mounting brackets and insulators rated 600 Volts

Galvanized MAX 24" Ground Bar (HDG42463)



NOTES

- HOT-DIPPED GALVANIZING COMPLIES WITH ASTM A123 & A6 STANDARDS. (Min Galv Thk = 3.3 mils [2 oz/ft²][600 g/m²])
- EDGES ARE SMOOTHED AND SANDED TO PREVENT INJURY.
- FOR OUTDOOR OR INDOOR USE.

ITEM	QTY	PART NO.	PART DESCRIPTION	LENGTH	UNIT WT.	NET WT.
1	1	HDG42463	1/4" X 4" X 24" STEEL GROUND BAR (HDG.)	24 in	6.43	6.43
2	2	R-1000GR1	STANDOFF INSULATOR		0.17	0.34
3	4	SS38FW	3/8" STAINLESS FLATWASHER		0.01	0.04
4	4	SS38LW	3/8" SS LOCKWASHER		0.01	0.03
5	2	MT200	STAINLESS STEEL MOUNTING BRACKET		0.25	0.50
6	2	SS3834	SS 3/8" X 3/4" BOLT	3/4 in	0.04	0.09
7	2	SS3858	SS 3/8" X 5/8" BOLT	5/8 in	0.04	0.08
TOTAL WT. #						7.51

