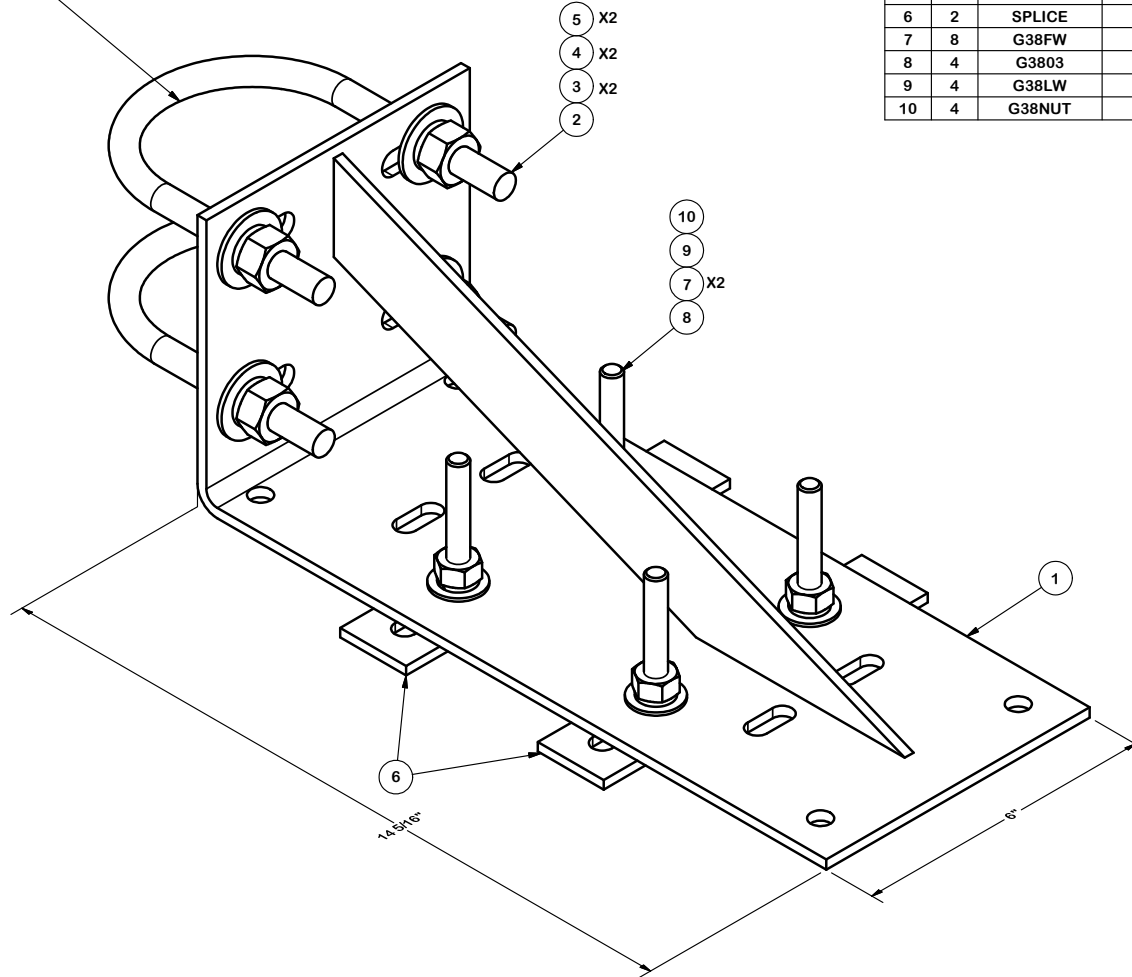


3-1/2" O.D. PIPE



PARTS LIST

ITEM	QTY	PART NO.	PART DESCRIPTION	LENGTH	UNIT WT.	NET WT.
1	1	HHD12	12" CANTILEVER WELDMENT		8.01	8.01
2	2	X-UB1358	1/2" X 3-5/8" X 5-1/2" X 3" U-BOLT (HDG.)		0.66	1.31
3	4	G12FW	1/2" HDG USS FLATWASHER		0.03	0.14
4	4	G12LW	1/2" HDG LOCKWASHER		0.01	0.06
5	4	G12NUT	1/2" HDG HEAVY 2H HEX NUT		0.07	0.29
6	2	SPLICE	SPLICE FOR GRIP STRUT	7 3/8 in	0.53	1.05
7	8	G38FW	3/8" HDG USS FLATWASHER		0.01	0.09
8	4	G3803	3/8" x 3" HDG HEX BOLT GR5		0.12	0.49
9	4	G38LW	3/8" HDG LOCKWASHER		0.01	0.03
10	4	G38NUT	3/8" HDG HEAVY 2H HEX NUT		0.03	0.14
					TOTAL WT. #	11.83

TOLERANCE NOTES

TOLERANCES ON DIMENSIONS, UNLESS OTHERWISE NOTED ARE:
 SAWED, SHEARED AND GAS CUT EDGES ($\pm 0.030"$)
 DRILLED AND GAS CUT HOLES ($\pm 0.030"$) - NO CONING OF HOLES
 LASER CUT EDGES AND HOLES ($\pm 0.010"$) - NO CONING OF HOLES
 BENDS ARE $\pm 1/2$ DEGREE
 ALL OTHER MACHINING ($\pm 0.030"$)
 ALL OTHER ASSEMBLY ($\pm 0.060"$)

PROPRIETARY NOTE:
 THE DATA AND TECHNIQUES CONTAINED IN THIS DRAWING ARE PROPRIETARY INFORMATION OF VALMONT INDUSTRIES AND CONSIDERED A TRADE SECRET. ANY USE OR DISCLOSURE WITHOUT THE CONSENT OF VALMONT INDUSTRIES IS STRICTLY PROHIBITED.

DESCRIPTION

12" COMPLETE
CANTILEVER KIT



Engineering
Support Team:
1-888-753-7446

Locations:
New York, NY
Atlanta, GA
Los Angeles, CA
Plymouth, IN
Salem, OR
Dallas, TX

A valmont COMPANY

CPD NO.	DRAWN BY CEK 10/12/2011	ENG. APPROVAL
CLASS 81	SUB 01	DRAWING USAGE CUSTOMER
	CHECKED BY BMC 10/19/2011	

PART NO. HHD12-K	PAGE 1 OF 1
DWG. NO. HHD12-K	