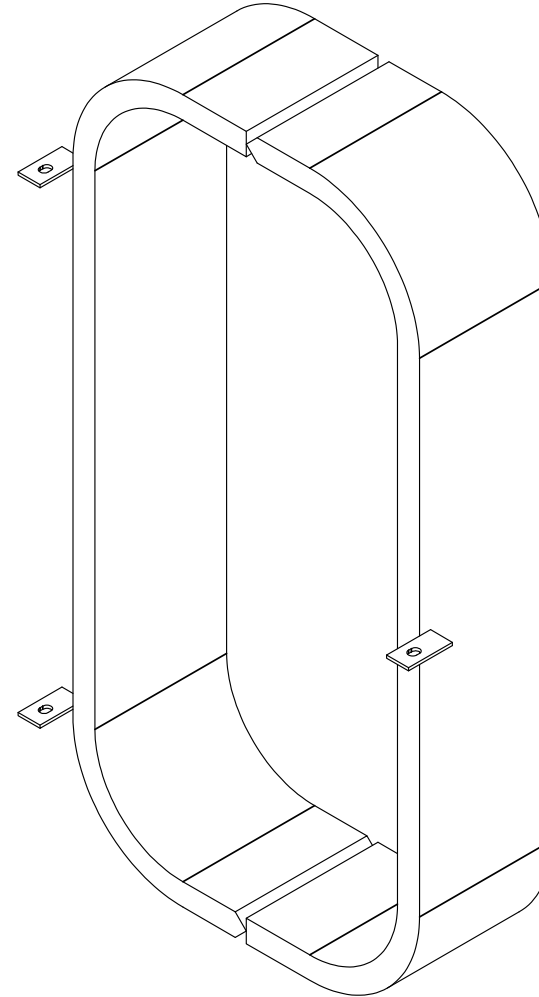
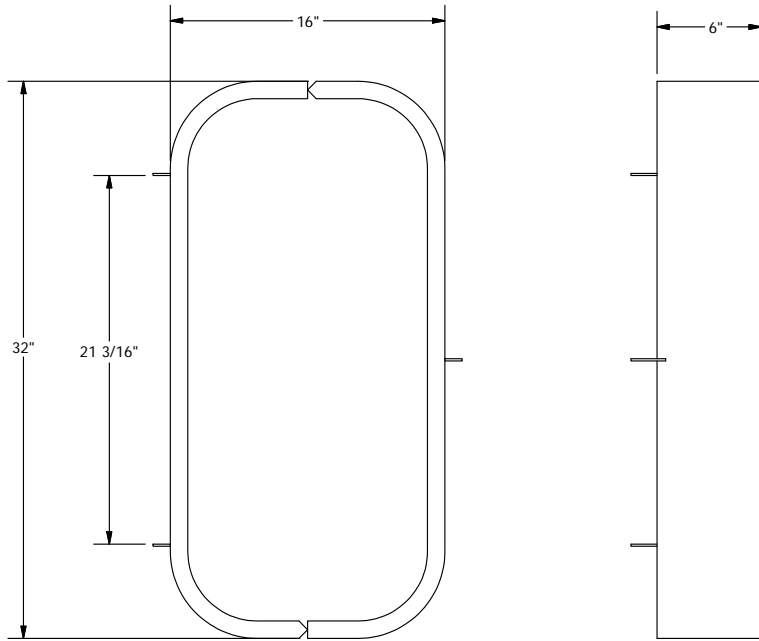


PARTS LIST						
ITEM	QTY	PART NO.	PART DESCRIPTION	LENGTH	UNIT WT.	NET WT.
1	1	HHR1632	16" x 32" HAND HOLE RIM FOR POLYGON POLE		142.29	142.29




FINISH:  
HOT DIP GALVANIZED.

**TOLERANCE NOTES**  
**TOLERANCES ON DIMENSIONS, UNLESS OTHERWISE NOTED ARE:**  
**SAWED, SHEARED AND GAS CUT EDGES ( $\pm 0.030"$ )**  
**DRILLED AND GAS CUT HOLES ( $\pm 0.030"$ ) - NO CONING OF HOLES**  
**LASER CUT EDGES AND HOLES ( $\pm 0.010"$ ) - NO CONING OF HOLES**  
**BENDS ARE  $\pm 1/2$  DEGREE**  
**ALL OTHER MACHINING ( $\pm 0.030"$ )**  
**ALL OTHER ASSEMBLY ( $\pm 0.060"$ )**

PROPRIETARY NOTE:  
THE DATA AND TECHNIQUES CONTAINED IN THIS DRAWING ARE PROPRIETARY INFORMATION OF VALMONT INDUSTRIES AND CONSIDERED A TRADE SECRET. ANY USE OR DISCLOSURE WITHOUT THE CONSENT OF VALMONT INDUSTRIES IS STRICTLY PROHIBITED.

DESCRIPTION		16" X 32" HAND HOLE RIM FOR POLYGON POLES - GALVANIZED	
CPD NO.	DRAWN BY	ENG. APPROVAL	
	CEK	2/13/2012	
CLASS	SUB	DRAWING USAGE	CHECKED BY
81	01	CUSTOMER	KAC 4/24/2012

 <b>A valmont COMPANY</b>	Locations: New York, NY Atlanta, GA Los Angeles, CA Plymouth, IN Salem, OR Dallas, TX		
	Engineering Support Team: 1-888-753-7446		
PART NO.	HHR1632-G	PAGE	1 OF 1
DWG. NO.	HHR1632-G		