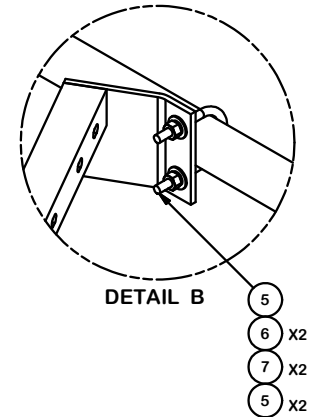
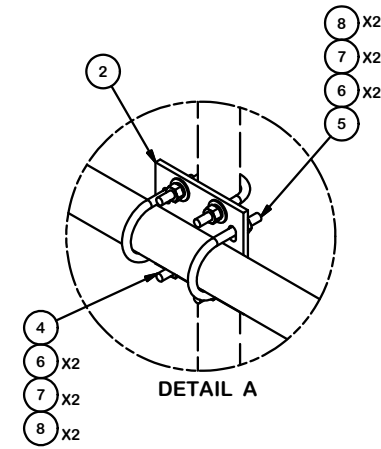


PARTS LIST						
ITEM	QTY	PART NO.	PART DESCRIPTION	LENGTH	UNIT WT.	NET WT.
1	3	X-SNP-HRA	CORNER BRACKET FOR SNPX PLATFORMS		25.95	77.86
2	12	SCX2	CROSSOVER PLATE	7 in	4.80	57.56
3	3	P30174	2-7/8" O.D. x 174" SCH. 40 PIPE	174 in	84.20	252.59
4	24	X-UB1212	1/2" X 2-1/2" X 4-1/2" X 2" U-BOLT (HDG.)		0.73	17.56
5	30	X-UB1300	1/2" X 3" X 5" X 2" U-BOLT (HDG.)		0.73	21.95
6	108	G12FW	1/2" HDG USS FLATWASHER		0.03	3.68
7	108	G12LW	1/2" HDG LOCKWASHER		0.01	1.50
8	108	G12NUT	1/2" HDG HEAVY 2H HEX NUT		0.07	7.74
					TOTAL WT. #	436.83



TOLERANCE NOTES

TOLERANCES ON DIMENSIONS, UNLESS OTHERWISE NOTED ARE:
 SAWED, SHEARED AND GAS CUT EDGES ($\pm 0.030"$)
 DRILLED AND GAS CUT HOLES ($\pm 0.030"$) - NO CONING OF HOLES
 LASER CUT EDGES AND HOLES ($\pm 0.010"$) - NO CONING OF HOLES
 BENDS ARE $\pm 1/2$ DEGREE
 ALL OTHER MACHINING ($\pm 0.030"$)
 ALL OTHER ASSEMBLY ($\pm 0.060"$)

PROPRIETARY NOTE:
 THE DATA AND TECHNIQUES CONTAINED IN THIS DRAWING ARE PROPRIETARY INFORMATION OF VALMONT INDUSTRIES AND CONSIDERED A TRADE SECRET. ANY USE OR DISCLOSURE WITHOUT THE CONSENT OF VALMONT INDUSTRIES IS STRICTLY PROHIBITED.

DESCRIPTION		HANDRAIL KIT FOR 14' SNUB NOSE PLATFORM	
CPD NO.	DRAWN BY	ENG. APPROVAL	
	CEK	4/6/2015	
CLASS	SUB	DRAWING USAGE	CHECKED BY
81	02	CUSTOMER	BMC
		4/6/2015	

 A valmont COMPANY	Locations: New York, NY Atlanta, GA Los Angeles, CA Plymouth, IN Salem, OR Dallas, TX
	Engineering Support Team: 1-888-753-7446
PART NO.	HRA14
DWG. NO.	HRA14