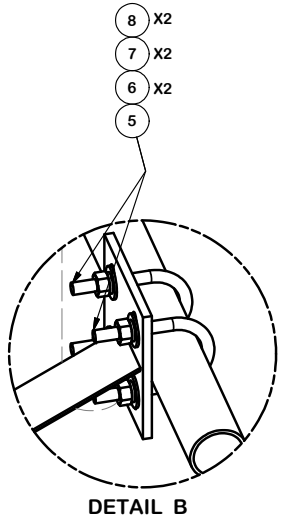
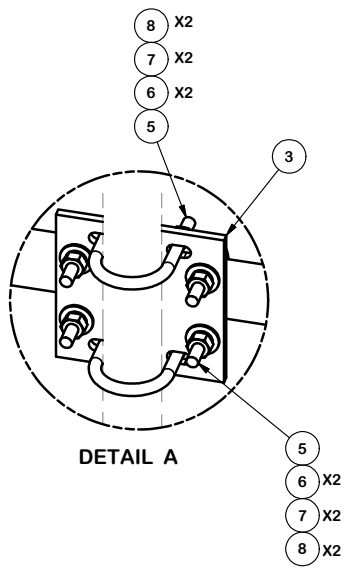
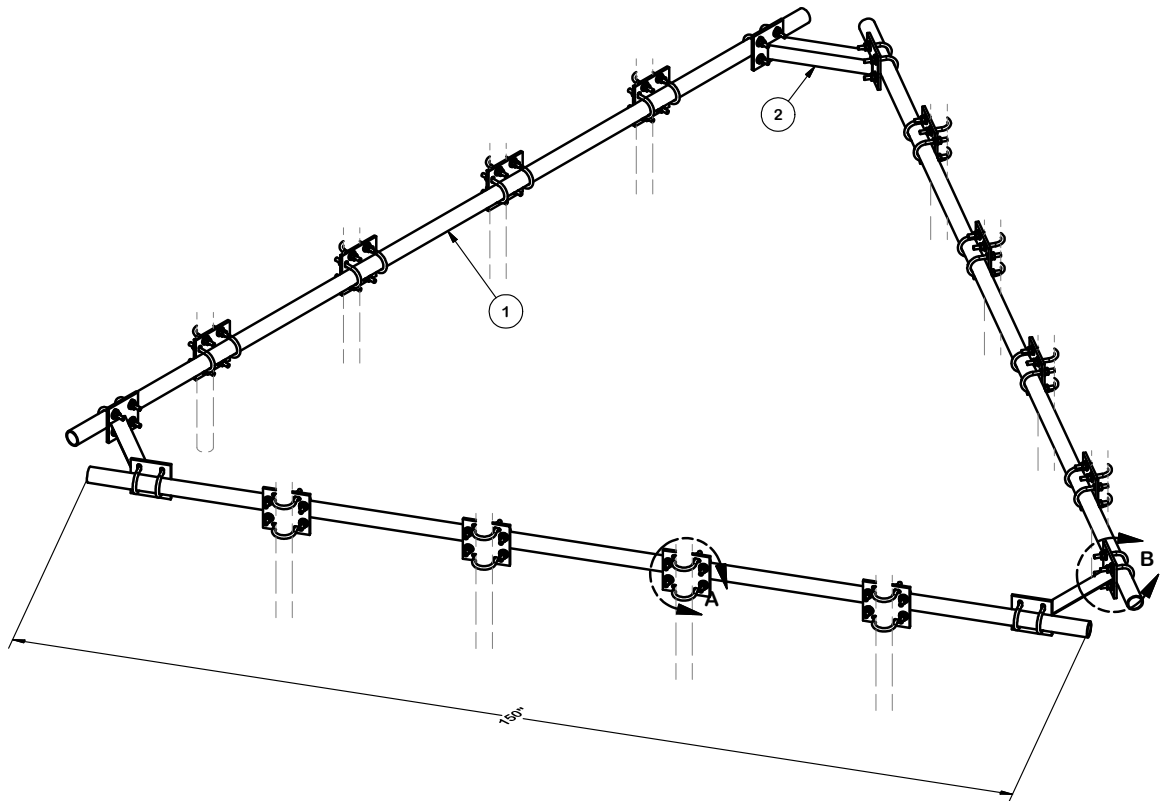


PARTS LIST						
ITEM	QTY	PART NO.	PART DESCRIPTION	LENGTH	UNIT WT.	NET WT.
1	3	P2150	2-3/8" OD X 150" SCH 40 GALVANIZED PIPE	150 in	45.77	137.31
2	3	X-AHCP	ANGLE HANDRAIL CORNER PLATE		12.92	38.76
3	12	SCX2	CROSSOVER PLATE	7 in	4.80	57.56
4	24	X-UB1300	1/2" X 3" X 5" X 2" U-BOLT (HDG.)		0.73	17.56
5	60	X-UB1212	1/2" X 2-1/2" X 4-1/2" X 2" U-BOLT (HDG.)		0.73	43.90
6	120	G12FW	1/2" HDG USS FLATWASHER		0.03	4.09
7	120	G12LW	1/2" HDG LOCKWASHER		0.01	1.67
8	120	G12NUT	1/2" HDG HEAVY 2H HEX NUT		0.07	8.60
					TOTAL WT. #	302.21



TOLERANCE NOTES

TOLERANCES ON DIMENSIONS, UNLESS OTHERWISE NOTED ARE:
 SAWED, SHEARED AND GAS CUT EDGES ($\pm 0.030"$)
 DRILLED AND GAS CUT HOLES ($\pm 0.030"$) - NO CONING OF HOLES
 LASER CUT EDGES AND HOLES ($\pm 0.010"$) - NO CONING OF HOLES
 BENDS ARE $\pm 1/2$ DEGREE
 ALL OTHER MACHINING ($\pm 0.030"$)
 ALL OTHER ASSEMBLY ($\pm 0.060"$)

PROPRIETARY NOTE:
 THE DATA AND TECHNIQUES CONTAINED IN THIS DRAWING ARE PROPRIETARY INFORMATION OF VALMONT INDUSTRIES AND CONSIDERED A TRADE SECRET. ANY USE OR DISCLOSURE WITHOUT THE CONSENT OF VALMONT INDUSTRIES IS STRICTLY PROHIBITED.

DESCRIPTION
UNIVERSAL HANDRAIL KIT FOR 12' PLATFORM
 2-3/8" & 2-7/8" ANTENNA PIPES

SITE PRO 1
 Engineering Support Team:
 1-888-753-7446

Locations:
 New York, NY
 Atlanta, GA
 Los Angeles, CA
 Plymouth, IN
 Salem, OR
 Dallas, TX

CPD NO.	DRAWN BY CEK	ENG. APPROVAL
CLASS 81	DRAWING USAGE CUSTOMER	CHECKED BY BMC 3/10/2015

PART NO.	HRK12-U
DWG. NO.	HRK12-U