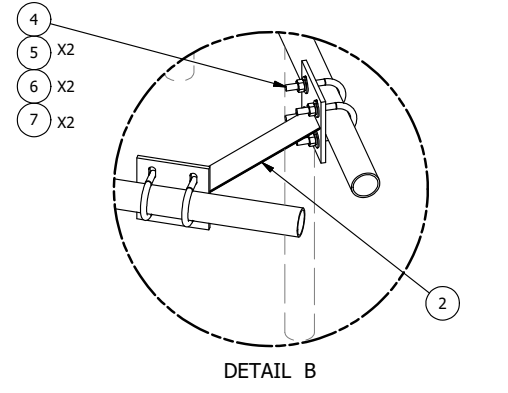
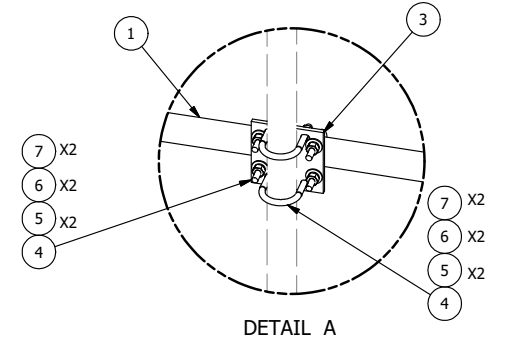


PARTS LIST						
ITEM	QTY	PART NO.	PART DESCRIPTION	LENGTH	UNIT WT.	NET WT.
1	3	P2174	2-3/8" OD X 174" SCH 40 GALVANIZED PIPE	174 in	55.75	167.24
2	3	X-AHCP	ANGLE HANDRAIL CORNER PLATE		12.92	38.76
3	12	SCX1	CROSSOVER PLATE 2-3/8" X 2-3/8"	6 in	3.71	44.50
4	60	X-UB1212	1/2" X 2-1/2" X 4-1/2" X 2" U-BOLT (HDG.)		0.63	37.51
5	120	G12FW	1/2" HDG USS FLATWASHER	3/32 in	0.03	4.09
6	120	G12LW	1/2" HDG LOCKWASHER	1/8 in	0.01	1.67
7	120	G12NUT	1/2" HDG HEAVY 2H HEX NUT		0.07	8.60
TOTAL WT. #						302.36



REV	DESCRIPTION OF REVISIONS	CPD	BY	DATE
A	REPLACED HCP WITH X-AHCP	CEK		7/11/2014
REVISION HISTORY				

TOLERANCE NOTES

**TOLERANCES ON DIMENSIONS, UNLESS OTHERWISE NOTED ARE:
SAWED, SHEARED AND GAS CUT EDGES ($\pm 0.030"$)
DRILLED AND GAS CUT HOLES ($\pm 0.030"$) - NO CONING OF HOLES
LASER CUT EDGES AND HOLES ($\pm 0.010"$) - NO CONING OF HOLES
BENDS ARE $\pm 1/2$ DEGREE
ALL OTHER MACHINING ($\pm 0.030"$)
ALL OTHER ASSEMBLY ($\pm 0.060"$)**

PROPRIETARY NOTE:
THE DATA AND TECHNIQUES CONTAINED IN THIS DRAWING ARE PROPRIETARY INFORMATION OF VALMONT INDUSTRIES AND CONSIDERED A TRADE SECRET. ANY USE OR DISCLOSURE WITHOUT THE CONSENT OF VALMONT INDUSTRIES IS STRICTLY PROHIBITED.

DESCRIPTION			
HANDRAIL KIT FOR 14'-6" FACE			
CPD NO.	DRAWN BY	ENG. APPROVAL	
	KC8 5/30/2012		
CLASS	SUB	DRAWING USAGE	CHECKED BY
81	01	CUSTOMER	BMC 7/13/2014

 A valmont COMPANY	Locations: New York, NY Atlanta, GA Los Angeles, CA Plymouth, IN Salem, OR Dallas, TX	
	Engineering Support Team: 1-888-753-7446	
PART NO.	HRK14	
DWG. NO.	HRK14	