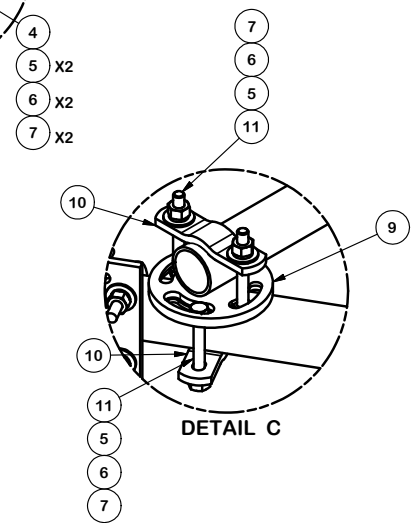
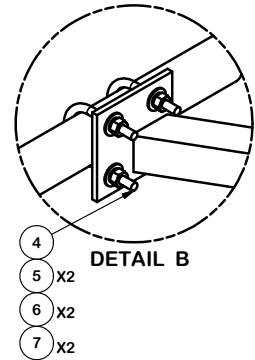
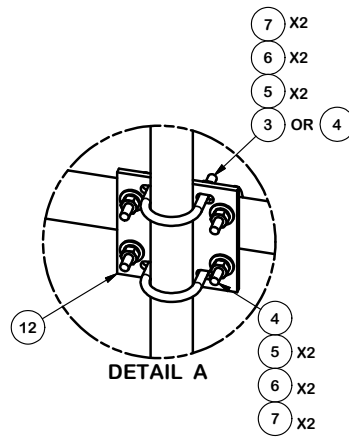


EXISTING 2-3/8" OR 2-7/8"
ANTENNA PIPES
AND PLATFORM

PARTS LIST						
ITEM	QTY	PART NO.	PART DESCRIPTION	LENGTH	UNIT WT.	NET WT.
1	3	P30174	2-7/8" O.D. x 174" SCH. 40 PIPE	174 in	84.20	252.59
2	3	X-AHCP	ANGLE HANDRAIL CORNER PLATE		12.92	38.76
3	24	X-UB1212	1/2" X 2-1/2" X 4-1/2" X 2" U-BOLT (HDG.)		0.63	15.00
4	60	X-UB1300	1/2" X 3" X 5" X 2" U-BOLT (HDG.)		0.70	41.81
5	144	G12FW	1/2" HDG USS FLATWASHER	3/32 in	0.03	4.91
6	144	G12LW	1/2" HDG LOCKWASHER	1/8 in	0.01	2.00
7	144	G12NUT	1/2" HDG HEAVY 2H HEX NUT		0.07	10.31
8	3	P272	2-3/8" X 72" SCH 40 GALVANIZED PIPE	72 in	23.07	69.20
9	6	X-127594	FLAT DISK CLAMP PLATE 4" CENTERS (GALV.)		2.51	15.04
10	12	X-100064	CLAMP (4" V-CLAMP) GALVANIZED		0.91	10.95
11	24	G1204	1/2" x 4" HDG HEX BOLT GR5 FULL THREAD	4 in	0.27	6.48
12	12	SCX2	CROSSOVER PLATE	7 in	4.80	57.56
					TOTAL WT. #	524.23



TOLERANCE NOTES

TOLERANCES ON DIMENSIONS, UNLESS OTHERWISE NOTED ARE:
 SAWED, SHEARED AND GAS CUT EDGES ($\pm 0.030"$)
 DRILLED AND GAS CUT HOLES ($\pm 0.030"$) - NO CONING OF HOLES
 LASER CUT EDGES AND HOLES ($\pm 0.010"$) - NO CONING OF HOLES
 BENDS ARE $\pm 1/2$ DEGREE
 ALL OTHER MACHINING ($\pm 0.030"$)
 ALL OTHER ASSEMBLY ($\pm 0.060"$)

PROPRIETARY NOTE:
 THE DATA AND TECHNIQUES CONTAINED IN THIS DRAWING ARE PROPRIETARY INFORMATION OF VALMONT INDUSTRIES AND CONSIDERED A TRADE SECRET. ANY USE OR DISCLOSURE WITHOUT THE CONSENT OF VALMONT INDUSTRIES IS STRICTLY PROHIBITED.

DESCRIPTION
**HEAY DUTY HANDRAIL KIT
 FOR 14' PLATFORMS WITH
 2-7/8" HANDRAIL PIPES**

CPD NO.	DRAWN BY CEK	ENG. APPROVAL
CLASS 81	DRAWING USAGE CUSTOMER	CHECKED BY BMC
SUB 01		DATE 7/8/2016

SITE PRO 1
 A valmont COMPANY
 Engineering Support Team:
 1-888-753-7446
 Locations:
 New York, NY
 Atlanta, GA
 Los Angeles, CA
 Plymouth, IN
 Salem, OR
 Dallas, TX

PART NO.	HRK14-3HD
DWG. NO.	HRK14-3HD