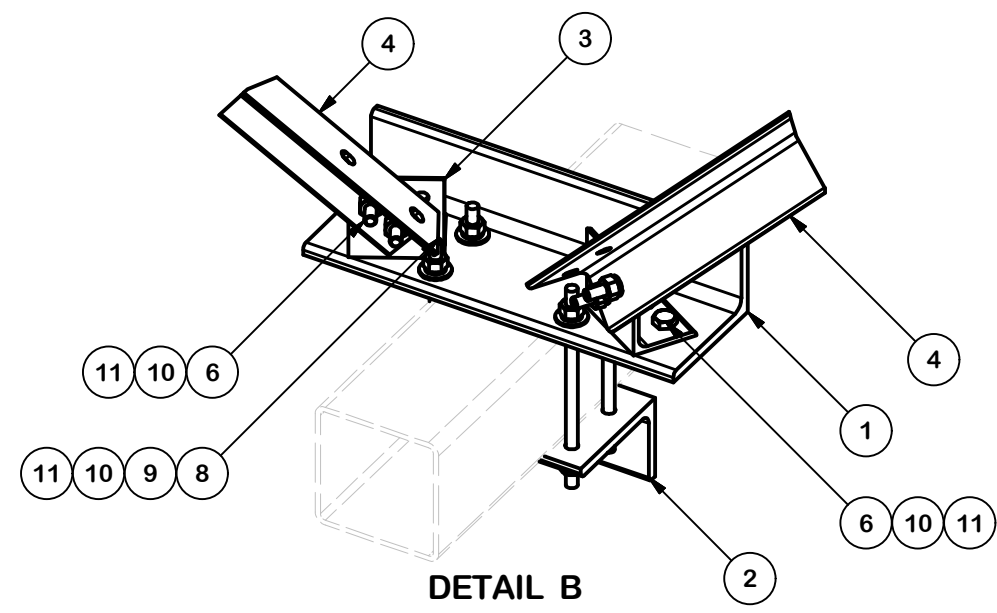
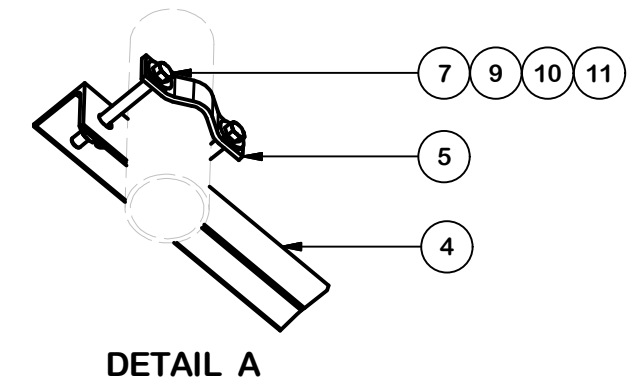
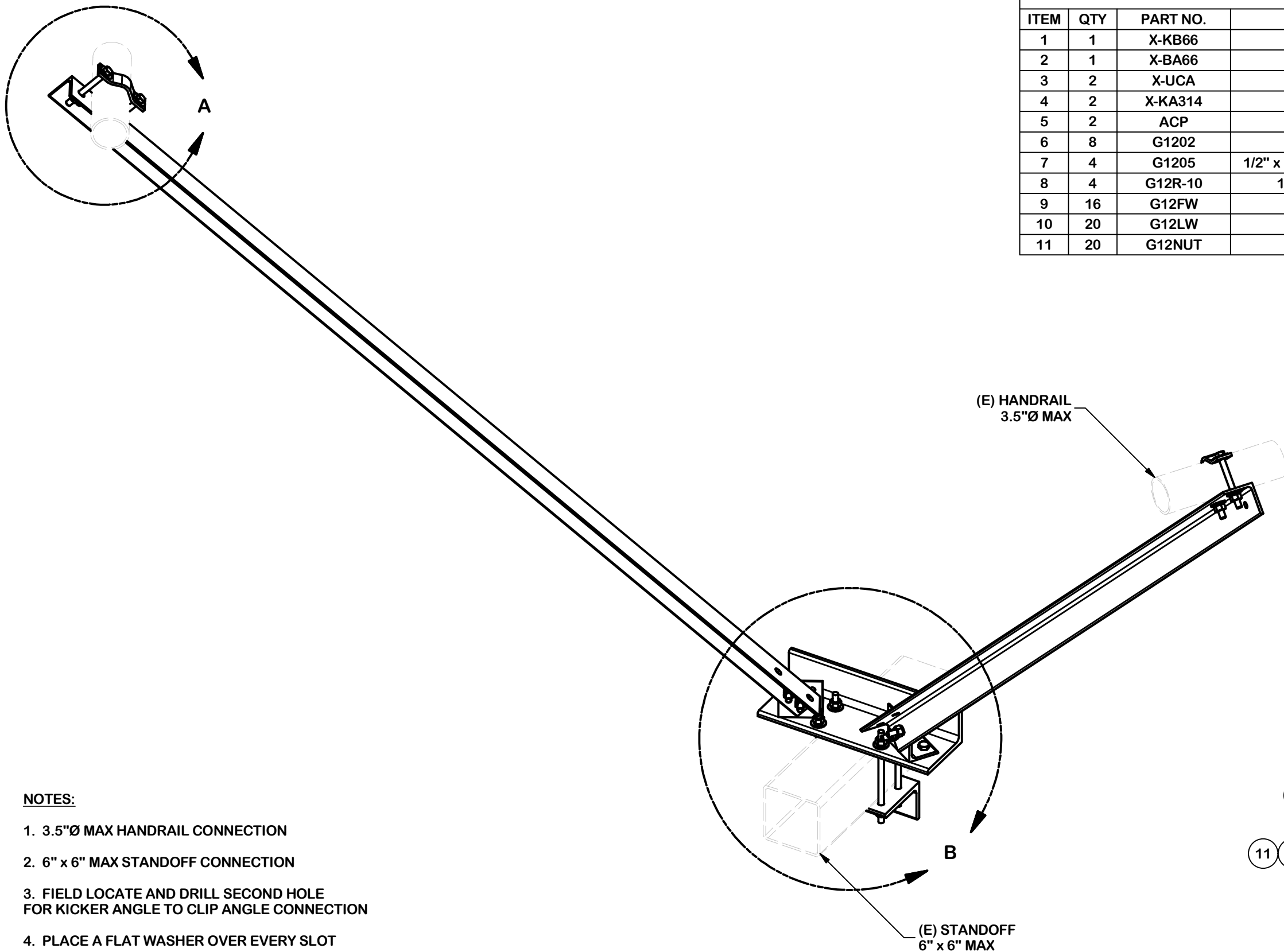


PARTS LIST						
ITEM	QTY	PART NO.	PART DESCRIPTION	LENGTH	UNIT WT.	NET WT.
1	1	X-KB66	KICKER BRACKET	18 in	25.58	25.58
2	1	X-BA66	BACKER ANGLE	9 in	12.79	12.79
3	2	X-UCA	CLIP ANGLE	4 in	1.94	3.89
4	2	X-KA314	KICKER ANGLE	96 in	41.67	83.35
5	2	ACP	CLAMP HALF	5 3/4 in	0.65	1.31
6	8	G1202	1/2" x 2" HDG HEX BOLT GR5	2 in	0.18	1.41
7	4	G1205	1/2" x 5" HDG HEX BOLT GR5 FULL THREAD	5 in	0.33	1.30
8	4	G12R-10	1/2" x 10" THREADED ROD (HDG.)		0.40	1.60
9	16	G12FW	1/2" HDG USS FLATWASHER	3/32 in	0.03	0.55
10	20	G12LW	1/2" HDG LOCKWASHER	1/8 in	0.01	0.28
11	20	G12NUT	1/2" HDG HEAVY 2H HEX NUT		0.07	1.43
TOTAL WT. #						142.16



- NOTES:**
- 3.5"Ø MAX HANDRAIL CONNECTION
 - 6" x 6" MAX STANDOFF CONNECTION
 - FIELD LOCATE AND DRILL SECOND HOLE FOR KICKER ANGLE TO CLIP ANGLE CONNECTION
 - PLACE A FLAT WASHER OVER EVERY SLOT
 - KIT INCLUDES STEEL AND HARDWARE FOR ONE SECTOR ONLY

TOLERANCE NOTES

TOLERANCES ON DIMENSIONS, UNLESS OTHERWISE NOTED ARE:
 SAWED, SHEARED AND GAS CUT EDGES (± 0.030")
 DRILLED AND GAS CUT HOLES (± 0.030") - NO CONING OF HOLES
 LASER CUT EDGES AND HOLES (± 0.010") - NO CONING OF HOLES
 BENDS ARE ± 1/2 DEGREE
 ALL OTHER MACHINING (± 0.030")
 ALL OTHER ASSEMBLY (± 0.060")

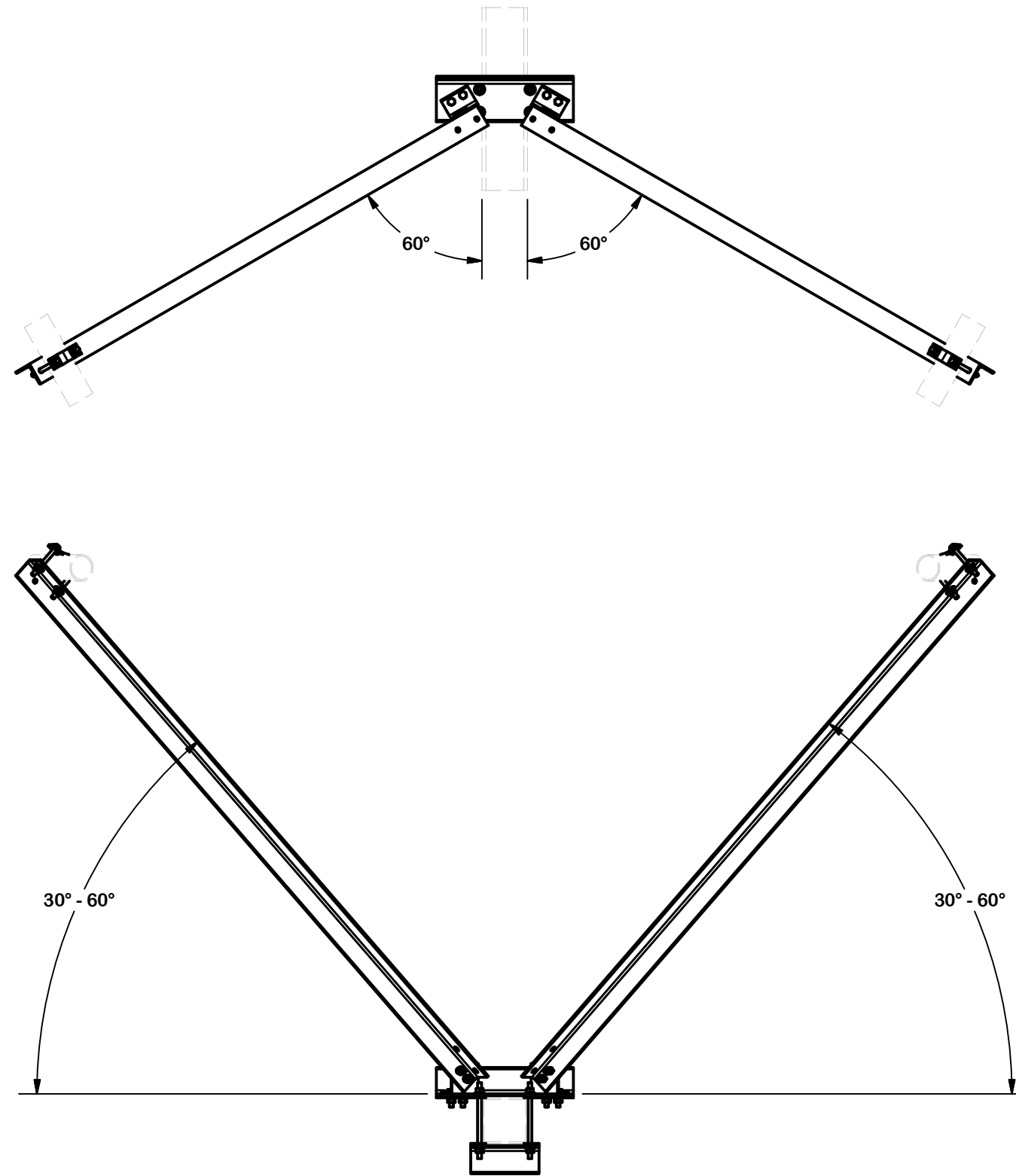
PROPRIETARY NOTE:
 THE DATA AND TECHNIQUES CONTAINED IN THIS DRAWING ARE PROPRIETARY INFORMATION OF VALMONT INDUSTRIES AND CONSIDERED A TRADE SECRET. ANY USE OR DISCLOSURE WITHOUT THE CONSENT OF VALMONT INDUSTRIES IS STRICTLY PROHIBITED.

DESCRIPTION HANDRAIL TO STANDOFF REINFORCEMENT KIT (FOR 6" STANDOFF)			
CPD NO.	DRAWN BY CSL	ENG. APPROVAL 3RD PARTY	PART NO. HSRK-66
CLASS 87	SUB 02	DRAWING USAGE SHOP	CHECKED BY BMC 4/18/2018
DWG. NO. HSRK-66			PAGE 1 OF 2

SITE PRO 1
 A valmont COMPANY

Engineering Support Team:
 1-888-753-7446

Locations:
 New York, NY
 Atlanta, GA
 Los Angeles, CA
 Plymouth, IN
 Salem, OR
 Dallas, TX



NOTES:

1. 3.5"Ø MAX HANDRAIL CONNECTION
2. 6" x 6" MAX STANDOFF CONNECTION
3. FIELD LOCATE AND DRILL SECOND HOLE FOR KICKER ANGLE TO CLIP ANGLE CONNECTION
4. PLACE A FLAT WASHER OVER EVERY SLOT
5. KIT INCLUDES STEEL AND HARDWARE FOR ONE SECTOR ONLY

TOLERANCE NOTES

TOLERANCES ON DIMENSIONS, UNLESS OTHERWISE NOTED ARE:
 SAWED, SHEARED AND GAS CUT EDGES ($\pm 0.030"$)
 DRILLED AND GAS CUT HOLES ($\pm 0.030"$) - NO CONING OF HOLES
 LASER CUT EDGES AND HOLES ($\pm 0.010"$) - NO CONING OF HOLES
 BENDS ARE $\pm 1/2$ DEGREE
 ALL OTHER MACHINING ($\pm 0.030"$)
 ALL OTHER ASSEMBLY ($\pm 0.060"$)

PROPRIETARY NOTE:
 THE DATA AND TECHNIQUES CONTAINED IN THIS DRAWING ARE PROPRIETARY INFORMATION OF VALMONT INDUSTRIES AND CONSIDERED A TRADE SECRET. ANY USE OR DISCLOSURE WITHOUT THE CONSENT OF VALMONT INDUSTRIES IS STRICTLY PROHIBITED.

DESCRIPTION
**HANDRAIL TO STANDOFF
 REINFORCEMENT KIT
 (FOR 6" STANDOFF)**

CPD NO.	DRAWN BY	ENG. APPROVAL
	CSL 10/10/2017	3RD PARTY
CLASS	SUB	DRAWING USAGE
87	02	SHOP
	CHECKED BY	
	BMC 4/18/2018	



A valmont COMPANY

Locations:
 New York, NY
 Atlanta, GA
 Los Angeles, CA
 Plymouth, IN
 Salem, OR
 Dallas, TX

Engineering
 Support Team:
 1-888-753-7446

PART NO.	HSRK-66
DWG. NO.	HSRK-66