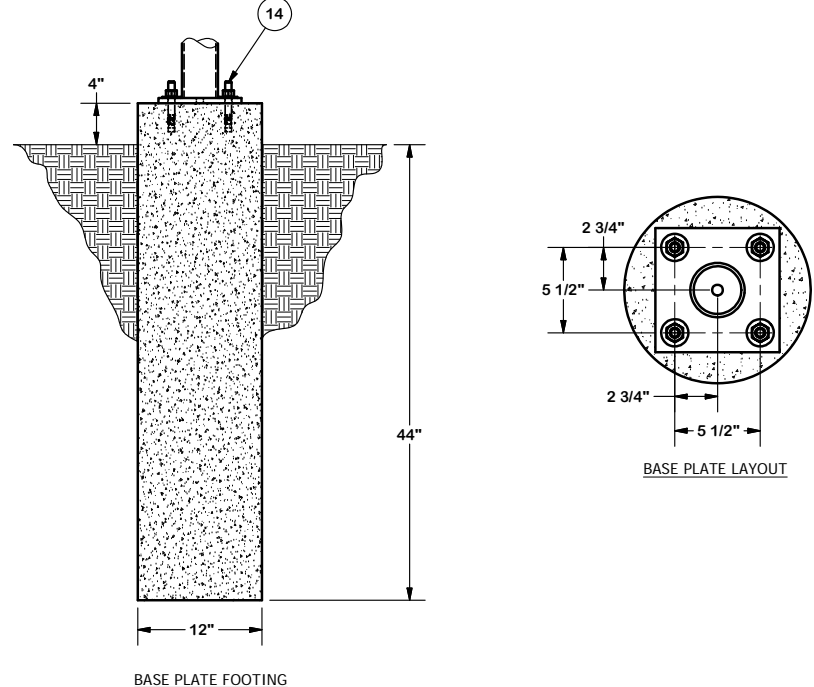


| PARTS LIST | | | | | | |
|--------------------|-----|----------|---|----------|----------|---------------|
| ITEM | QTY | PART NO. | PART DESCRIPTION | LENGTH | UNIT WT. | NET WT. |
| 1 | 2 | X-SP126 | BASE SHOE PLATE PIPE COLUMN | | 92.98 | 185.97 |
| 2 | 1 | GRS12 | 12" WIDE GRIP STRUT | | 24.40 | 24.40 |
| 3 | 2 | HHD12 | 12" CANTILEVER WELDMENT | | 8.01 | 16.02 |
| 4 | 4 | X-UB1358 | 1/2" X 3-5/8" X 5-1/2" X 3" U-BOLT (HDG.) | | 0.77 | 3.09 |
| 5 | 8 | G12FW | 1/2" HDG USS FLATWASHER | | 0.03 | 0.27 |
| 6 | 8 | G12LW | 1/2" HDG LOCKWASHER | | 0.01 | 0.11 |
| 7 | 8 | G12NUT | 1/2" HDG HEAVY 2H HEX NUT | | 0.07 | 0.57 |
| 8 | 2 | PC312 | 3-1/2" FENCE POST CAP | | 0.59 | 1.17 |
| 9 | 4 | SPLICE | SPLICE FOR GRIP STRUT | 7 3/8 in | 0.53 | 2.10 |
| 10 | 28 | G38FW | 3/8" HDG USS FLATWASHER | | 0.01 | 0.33 |
| 11 | 14 | G3803 | 3/8" x 3" HDG HEX BOLT GR5 | | 0.12 | 1.70 |
| 12 | 14 | G38LW | 3/8" HDG LOCKWASHER | | 0.01 | 0.09 |
| 13 | 14 | G38NUT | 3/8" HDG HEAVY 2H HEX NUT | | 0.03 | 0.47 |
| 14 | 8 | SWA585 | 5/8" X 5" STAINLESS WEDGE ANCHOR | | 0.61 | 4.85 |
| 15 | 3 | X-VT18 | 18" UNIVERSAL VERTICAL TRAPEZE | | 5.97 | 17.92 |
| 16 | 6 | SQW38 | 3/8" SQUARE WASHER (GALV.) | 2 in | 0.27 | 1.64 |
| TOTAL WT. # | | | | | | 250.13 |



TOLERANCE NOTES
 TOLERANCES ON DIMENSIONS, UNLESS OTHERWISE NOTED ARE:
 SAWED, SHEARED AND GAS CUT EDGES ($\pm 0.030"$)
 DRILLED AND GAS CUT HOLES ($\pm 0.030"$) - NO CONING OF HOLES
 LASER CUT EDGES AND HOLES ($\pm 0.010"$) - NO CONING OF HOLES
 BENDS ARE $\pm 1/2$ DEGREE
 ALL OTHER MACHINING ($\pm 0.030"$)
 ALL OTHER ASSEMBLY ($\pm 0.060"$)

PROPRIETARY NOTE:
 THE DATA AND TECHNIQUES CONTAINED IN THIS DRAWING ARE PROPRIETARY INFORMATION OF VALMONT INDUSTRIES AND CONSIDERED A TRADE SECRET. ANY USE OR DISCLOSURE WITHOUT THE CONSENT OF VALMONT INDUSTRIES IS STRICTLY PROHIBITED.

| | |
|---|--------------------------------|
| DESCRIPTION CANTILEVER 12" GRIP-SPAN ICE BRIDGE KIT WITH VERTICAL T-BRACKETS BASE SHOE | |
| CPD NO. | DRAWN BY CEK 8/10/2011 |
| CLASS | ENG. APPROVAL KAC 6/13/2012 |
| SUB | CHECKED BY CUSTOMER |
| DRAWING USAGE CUSTOMER | |

| | |
|---|---|
| Engineering Support Team: 1-888-753-7446 | Locations: New York, NY Atlanta, GA Los Angeles, CA Plymouth, IN Salem, OR Dallas, TX |
| | A valmont COMPANY |
| PART NO. | IB12B-V |
| DWG. NO. | IB12B-V |