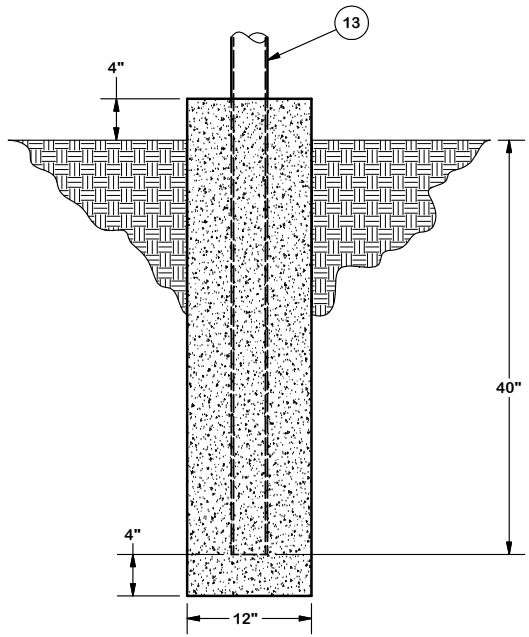


PARTS LIST						
ITEM	QTY	PART NO.	PART DESCRIPTION	LENGTH	UNIT WT.	NET WT.
1	4	X-UB1358	1/2" X 3-5/8" X 5-1/2" X 3" U-BOLT (HDG.)		0.73	2.93
2	8	G12FW	1/2" HDG USS FLATWASHER		0.03	0.27
3	8	G12LW	1/2" HDG LOCKWASHER		0.01	0.11
4	8	G12NUT	1/2" HDG HEAVY 2H HEX NUT		0.07	0.57
5	2	PC312	3-1/2" FENCE POST CAP		0.59	1.17
6	4	SPLICE	SPLICE FOR GRIP STRUT	7 3/8 in	0.53	2.10
7	16	G38FW	3/8" HDG USS FLATWASHER		0.01	0.19
8	8	G3803	3/8" x 3" HDG HEX BOLT GR5		0.12	0.97
9	8	G38LW	3/8" HDG LOCKWASHER		0.01	0.05
10	8	G38NUT	3/8" HDG HEAVY 2H HEX NUT		0.03	0.27
11	1	GRS12-10	12" WIDE GRIP STRUT	120 in	31.00	31.00
12	2	HHD12	12" CANTILEVER WELDMENT		8.01	16.02
13	2	P3216	3" SCH. 40 PIPE (3.5" O.D. x 0.216" WALL) A500	216 in	136.68	273.37
14	3	T12K-3	TRAPEZE KIT		8.41	25.24
					TOTAL WT. #	354.43



DIRECT BURIAL FOOTING

TOLERANCE NOTES
 TOLERANCES ON DIMENSIONS, UNLESS OTHERWISE NOTED ARE:
 SAWED, SHEARED AND GAS CUT EDGES ($\pm 0.030"$)
 DRILLED AND GAS CUT HOLES ($\pm 0.030"$) - NO CONING OF HOLES
 LASER CUT EDGES AND HOLES ($\pm 0.010"$) - NO CONING OF HOLES
 BENDS ARE $\pm 1/2$ DEGREE
 ALL OTHER MACHINING ($\pm 0.030"$)
 ALL OTHER ASSEMBLY ($\pm 0.060"$)

PROPRIETARY NOTE:
 THE DATA AND TECHNIQUES CONTAINED IN THIS DRAWING ARE PROPRIETARY INFORMATION OF VALMONT INDUSTRIES AND CONSIDERED A TRADE SECRET. ANY USE OR DISCLOSURE WITHOUT THE CONSENT OF VALMONT INDUSTRIES IS STRICTLY PROHIBITED.

DESCRIPTION		12" GRIP-SPAN ICE BRIDGE KIT WITH TRIPLE-TEE TRAPEZE 18' DIRECT BURIAL	
CPD NO.	DRAWN BY	ENG. APPROVAL	
	CEK	1/8/2015	
CLASS	SUB	DRAWING USAGE	CHECKED BY
81	01	CUSTOMER	BMC 1/9/2015

 A valmont COMPANY	Locations: New York, NY Atlanta, GA Los Angeles, CA Plymouth, IN Salem, OR Dallas, TX
	Engineering Support Team: 1-888-753-7446
PART NO.	IB12D-216T3
DWG. NO.	IB12D-216T3