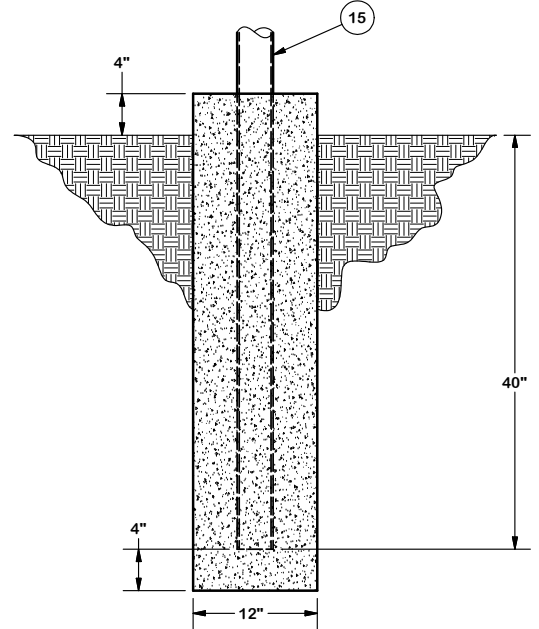


PARTS LIST						
ITEM	QTY	PART NO.	PART DESCRIPTION	LENGTH	UNIT WT.	NET WT.
1	1	GRS12	12" WIDE GRIP STRUT		24.40	24.40
2	2	HHD12	12" CANTILEVER WELDMENT		8.01	16.02
3	4	X-UB1358	1/2" X 3-5/8" X 5-1/2" X 3" U-BOLT (HDG.)		0.77	3.09
4	8	G12FW	1/2" HDG USS FLATWASHER		0.03	0.27
5	8	G12LW	1/2" HDG LOCKWASHER		0.01	0.11
6	8	G12NUT	1/2" HDG HEAVY 2H HEX NUT		0.07	0.57
7	2	PC312	3-1/2" FENCE POST CAP		0.59	1.17
8	4	SPLICE	SPLICE FOR GRIP STRUT	7 3/8 in	0.53	2.10
9	28	G38FW	3/8" HDG USS FLATWASHER		0.01	0.33
10	14	G3803	3/8" x 3" HDG HEX BOLT GR5		0.12	1.70
11	14	G38LW	3/8" HDG LOCKWASHER		0.01	0.09
12	14	G38NUT	3/8" HDG HEAVY 2H HEX NUT		0.03	0.47
13	3	X-VT18	18" UNIVERSAL VERTICAL TRAPEZE		5.97	17.92
14	6	SQW38	3/8" SQUARE WASHER (GALV.)	2 in	0.27	1.64
15	2	P3160	3" SCH. 40 PIPE (3.5" O.D. x 0.216" WALL) A500	160 in	101.25	202.50
					TOTAL WT. #	270.67




DIRECT BURIAL FOOTING

**TOLERANCE NOTES**  
 TOLERANCES ON DIMENSIONS, UNLESS OTHERWISE NOTED ARE:  
 SAWED, SHEARED AND GAS CUT EDGES ( $\pm 0.030"$ )  
 DRILLED AND GAS CUT HOLES ( $\pm 0.030"$ ) - NO CONING OF HOLES  
 LASER CUT EDGES AND HOLES ( $\pm 0.010"$ ) - NO CONING OF HOLES  
 BENDS ARE  $\pm 1/2$  DEGREE  
 ALL OTHER MACHINING ( $\pm 0.030"$ )  
 ALL OTHER ASSEMBLY ( $\pm 0.060"$ )

**PROPRIETARY NOTE:**  
 THE DATA AND TECHNIQUES CONTAINED IN THIS DRAWING ARE PROPRIETARY INFORMATION OF VALMONT INDUSTRIES AND CONSIDERED A TRADE SECRET. ANY USE OR DISCLOSURE WITHOUT THE CONSENT OF VALMONT INDUSTRIES IS STRICTLY PROHIBITED.

DESCRIPTION CANTILEVER 12" GRIP-SPAN ICE BRIDGE KIT WITH VERTICAL T-BRACKETS 13' 4" DIRECT BURIAL	
CPD NO.	DRAWN BY CEK 8/10/2011
CLASS	DRAWING USAGE CUSTOMER
ENG. APPROVAL	CHECKED BY KAC 6/13/2012

 <b>A valmont COMPANY</b>	Engineering Support Team: 1-888-753-7446	Locations: New York, NY Atlanta, GA Los Angeles, CA Plymouth, IN Salem, OR Dallas, TX
	PART NO. <b>IB12D-V</b>	DWG. NO. <b>IB12D-V</b>