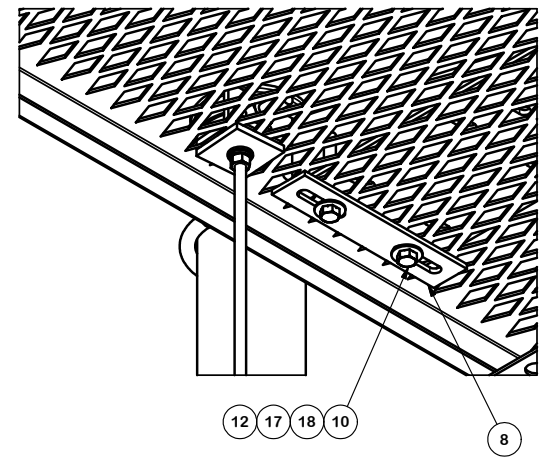


PARTS LIST						
ITEM	QTY	PART NO.	PART DESCRIPTION	LENGTH	UNIT WT.	NET WT.
1	2	P3216	3" SCH. 40 PIPE (3.5" O.D. x 0.216" WALL) A500	216 in	136.68	273.37
2	1	GRS24	24" X 10" GRIP SPAN BRIDGE CHANNEL		67.98	67.98
3	2	HHD24	24" UNIVERSAL CANTILEVER		14.10	28.20
4	3	ZB24	Z-BRACKET WALL MOUNT FOR 8 RUNS OF COAX		6.00	18.01
5	4	X-UB1358	1/2" X 3-5/8" X 5-1/2" X 3" U-BOLT (HDG.)		0.66	2.63
6	2	PC312	3-1/2" FENCE POST CAP		0.59	1.17
7	6	SS38R-18	3/8" X 18" THREADED ROD (STAINLESS STEEL)		0.56	3.39
8	4	SPLICE	SPLICE FOR GRIP STRUT	7 3/8 in	0.53	2.10
9	12	SQW38	3/8" SQUARE WASHER (GALV.)	2 in	0.27	3.28
10	8	G3803	3/8" x 3" HDG HEX BOLT GR5		0.12	0.97
11	8	G12NUT	1/2" HDG HEAVY 2H HEX NUT		0.07	0.57
12	8	G38NUT	3/8" HDG HEAVY 2H HEX NUT		0.03	0.27
13	8	G12FW	1/2" HDG USS FLATWASHER		0.03	0.27
14	24	SS38NUT	3/8" SS HEX NUT		0.02	0.44
15	24	SS38LW	3/8" SS LOCKWASHER		0.01	0.16
16	24	SS38FW	3/8" STAINLESS FLATWASHER		0.01	0.21
17	8	G38LW	3/8" HDG LOCKWASHER		0.01	0.05
18	16	G38FW	3/8" HDG USS FLATWASHER		0.01	0.19
19	8	G12LW	1/2" HDG LOCKWASHER		0.01	0.11
					TOTAL WT. #	396.96



TOLERANCE NOTES

TOLERANCES ON DIMENSIONS, UNLESS OTHERWISE NOTED ARE:
 SAWED, SHEARED AND GAS CUT EDGES ($\pm 0.030"$)
 DRILLED AND GAS CUT HOLES ($\pm 0.030"$) - NO CONING OF HOLES
 LASER CUT EDGES AND HOLES ($\pm 0.010"$) - NO CONING OF HOLES
 BENDS ARE $\pm 1/2$ DEGREE
 ALL OTHER MACHINING ($\pm 0.030"$)
 ALL OTHER ASSEMBLY ($\pm 0.060"$)

PROPRIETARY NOTE:
 THE DATA AND TECHNIQUES CONTAINED IN THIS DRAWING ARE PROPRIETARY INFORMATION OF VALMONT INDUSTRIES AND CONSIDERED A TRADE SECRET. ANY USE OR DISCLOSURE WITHOUT THE CONSENT OF VALMONT INDUSTRIES IS STRICTLY PROHIBITED.

DESCRIPTION		24' GRIP-SPAN ICE BRIDGE KITS WITH 1-LEVEL Z-BRACKET TRAPEZE 18' DIRECT BURIAL	
CPD NO.	DRAWN BY	ENG. APPROVAL	
	CEK	9/13/2011	
CLASS	SUB	DRAWING USAGE	CHECKED BY
81	02	CUSTOMER	BMC
			3/6/2012

 A valmont COMPANY	Engineering Support Team: 1-888-753-7446	Locations: New York, NY Atlanta, GA Los Angeles, CA Plymouth, IN Salem, OR Dallas, TX
	PART NO.	IB24D-216Z
DWG. NO.	IB24D-216Z	