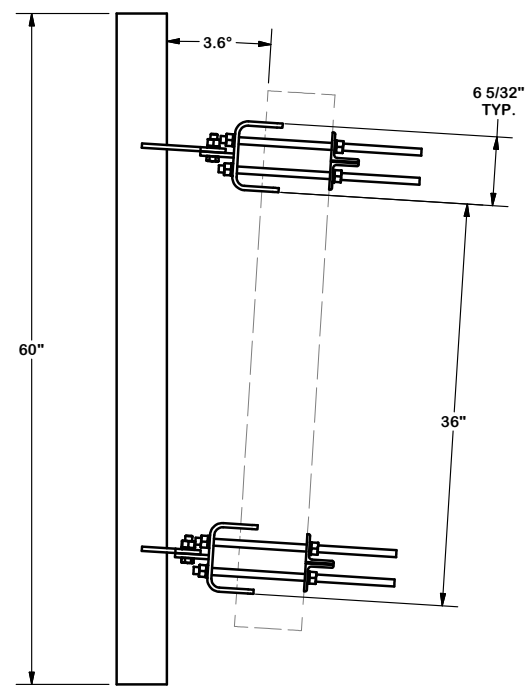
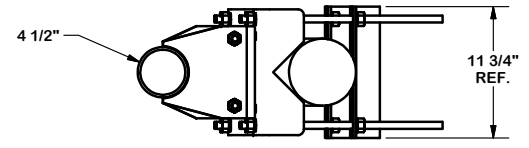


PARTS LIST						
ITEM	QTY	PART NO.	PART DESCRIPTION	LENGTH	UNIT WT.	NET WT.
1	1	X-B967	4-1/2" X 60" SLOPED PIPE MOUNT		62.12	62.12
2	2	X-113965	FORMED PLATE WELDMENT		16.18	32.36
3	4	X-113526	BACKING ANGLE	11 3/4 in	3.89	15.57
4	8	G58R-18	5/8" x 18" THREADED ROD (HDG.)		0.35	2.81
5	4	G5802	5/8" x 2" HDG HEX BOLT GR5		0.27	1.09
6	20	G58LW	5/8" HDG LOCKWASHER		0.03	0.52
7	20	G58NUT	5/8" HDG HEAVY 2H HEX NUT		0.13	2.59
					TOTAL WT. #	126.80



TOLERANCE NOTES

TOLERANCES ON DIMENSIONS, UNLESS OTHERWISE NOTED ARE:
 SAWED, SHEARED AND GAS CUT EDGES ($\pm 0.030"$)
 DRILLED AND GAS CUT HOLES ($\pm 0.030"$) - NO CONING OF HOLES
 LASER CUT EDGES AND HOLES ($\pm 0.010"$) - NO CONING OF HOLES
 BENDS ARE $\pm 1/2$ DEGREE
 ALL OTHER MACHINING ($\pm 0.030"$)
 ALL OTHER ASSEMBLY ($\pm 0.060"$)

PROPRIETARY NOTE:
 THE DATA AND TECHNIQUES CONTAINED IN THIS DRAWING ARE PROPRIETARY INFORMATION OF VALMONT
 INDUSTRIES AND CONSIDERED A TRADE SECRET. ANY USE OR DISCLOSURE WITHOUT THE CONSENT OF
 VALMONT INDUSTRIES IS STRICTLY PROHIBITED.

DESCRIPTION
 UNIVERSAL LEG-MOUNTED PIPE MOUNT
 WITH 4-1/2" OD X 60" MOUNTING PIPE
 FOR VERTICAL TOWER LEGS WITH 16:1 SLOPE

CPD NO. ile0	DRAWN BY CEK 9/16/2011	ENG. APPROVAL
CLASS 81	SUB 01	DRAWING USAGE CUSTOMER
	CHECKED BY BMC 9/16/2011	

<p>A valmont COMPANY</p>	Locations: New York, NY Atlanta, GA Los Angeles, CA Plymouth, IN Salem, OR Dallas, TX
	Engineering Support Team: 1-888-753-7446
PART NO.	LPM3
DWG. NO.	LPM3