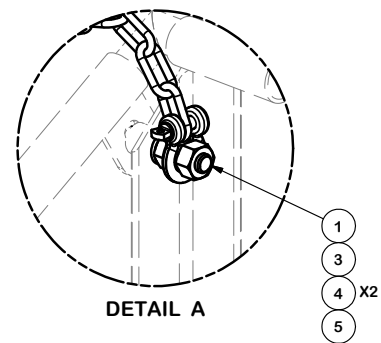


SHOWN WITH HANDRAIL AND STAIRS

PARTS LIST						
ITEM	QTY	PART NO.	PART DESCRIPTION	LENGTH	UNIT WT.	NET WT.
1	2	G58312	5/8" x 3-1/2" HDG HEX BOLT GR5		0.40	0.80
2	2	G5802	5/8" x 2" HDG HEX BOLT GR5		0.27	0.54
3	2	G58LW	5/8" HDG LOCKWASHER		0.03	0.05
4	4	G58NUT	5/8" HDG HEAVY 2H HEX NUT		0.13	0.52
5	2	SHK38	3/8" SHACKLE		0.31	0.63
6	1	GC40475	1/4" GR. 40 GALV. CHAIN, 5'		2.70	2.70
					TOTAL WT. #	5.24



NOTE:
MUST REUSE EXISTING FLATWASHERS
FROM EXISTING HANDRAIL HARDWARE.

TOLERANCE NOTES

TOLERANCES ON DIMENSIONS, UNLESS OTHERWISE NOTED ARE:
SAWED, SHEARED AND GAS CUT EDGES ($\pm 0.030"$)
DRILLED AND GAS CUT HOLES ($\pm 0.030"$) - NO CONING OF HOLES
LASER CUT EDGES AND HOLES ($\pm 0.010"$) - NO CONING OF HOLES
BENDS ARE $\pm 1/2$ DEGREE
ALL OTHER MACHINING ($\pm 0.030"$)
ALL OTHER ASSEMBLY ($\pm 0.060"$)

PROPRIETARY NOTE:
THE DATA AND TECHNIQUES CONTAINED IN THIS DRAWING ARE PROPRIETARY INFORMATION OF VALMONT INDUSTRIES AND CONSIDERED A TRADE SECRET. ANY USE OR DISCLOSURE WITHOUT THE CONSENT OF VALMONT INDUSTRIES IS STRICTLY PROHIBITED.

DESCRIPTION
**ADJUSTABLE ENTRY GUARD
AND RAMP RETAINER**

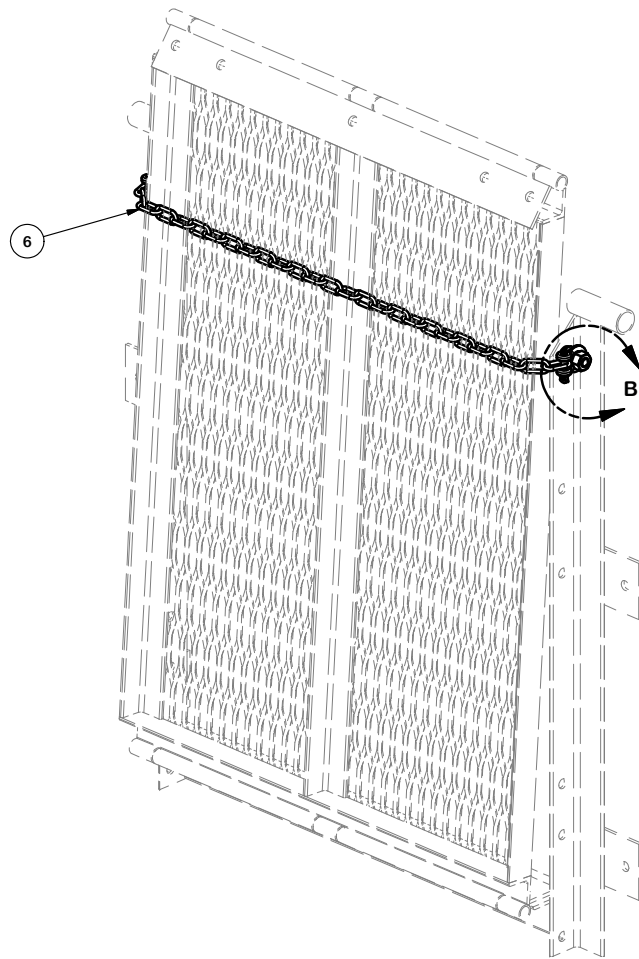
CPD NO.	DRAWN BY CEK 7/13/2016	ENG. APPROVAL
CLASS 81	SUB 01	DRAWING USAGE CUSTOMER
	CHECKED BY BMC 7/15/2016	



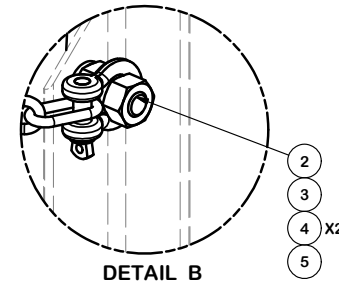
Locations:
New York, NY
Atlanta, GA
Los Angeles, CA
Plymouth, IN
Salem, OR
Dallas, TX

Engineering
Support Team:
1-888-753-7446

PART NO. MCHAIN	PAGE 1 OF 3
DWG. NO. MCHAIN	



PARTS LIST						
ITEM	QTY	PART NO.	PART DESCRIPTION	LENGTH	UNIT WT.	NET WT.
1	2	G58312	5/8" x 3-1/2" HDG HEX BOLT GR5		0.40	0.80
2	2	G5802	5/8" x 2" HDG HEX BOLT GR5		0.27	0.54
3	2	G58LW	5/8" HDG LOCKWASHER		0.03	0.05
4	4	G58NUT	5/8" HDG HEAVY 2H HEX NUT		0.13	0.52
5	2	SHK38	3/8" SHACKLE		0.31	0.63
6	1	GC40475	1/4" GR. 40 GALV. CHAIN, 5'		2.70	2.70
					TOTAL WT. #	5.24



SHOWN WITH RAMP AND HANDRAIL

TOLERANCE NOTES
TOLERANCES ON DIMENSIONS, UNLESS OTHERWISE NOTED ARE:
SAWED, SHEARED AND GAS CUT EDGES ($\pm 0.030"$)
DRILLED AND GAS CUT HOLES ($\pm 0.030"$) - NO CONING OF HOLES
LASER CUT EDGES AND HOLES ($\pm 0.010"$) - NO CONING OF HOLES
BENDS ARE $\pm 1/2$ DEGREE
ALL OTHER MACHINING ($\pm 0.030"$)
ALL OTHER ASSEMBLY ($\pm 0.060"$)

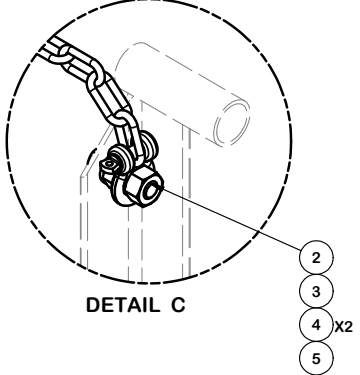
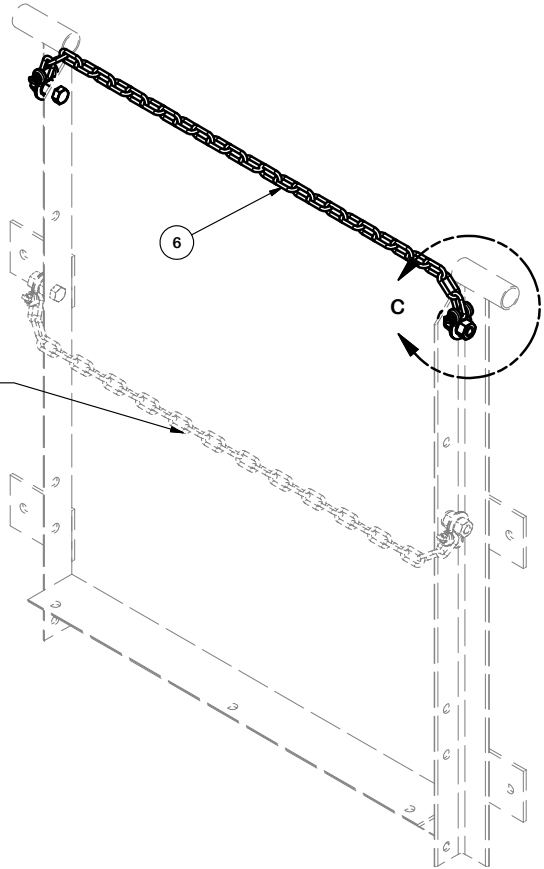
PROPRIETARY NOTE:
 THE DATA AND TECHNIQUES CONTAINED IN THIS DRAWING ARE PROPRIETARY INFORMATION OF VALMONT INDUSTRIES AND CONSIDERED A TRADE SECRET. ANY USE OR DISCLOSURE WITHOUT THE CONSENT OF VALMONT INDUSTRIES IS STRICTLY PROHIBITED.

DESCRIPTION ADJUSTABLE ENTRY GUARD AND RAMP RETAINER			
CPD NO.	DRAWN BY CEK 7/13/2016	ENG. APPROVAL	
CLASS 81	SUB 01	DRAWING USAGE CUSTOMER	CHECKED BY BMC 7/15/2016

 A valmont COMPANY	Locations: New York, NY Atlanta, GA Los Angeles, CA Plymouth, IN Salem, OR Dallas, TX
	Engineering Support Team: 1-888-753-7446
PART NO. MCHAIN	PAGE 2 OF 3
DWG. NO. MCHAIN	

PARTS LIST						
ITEM	QTY	PART NO.	PART DESCRIPTION	LENGTH	UNIT WT.	NET WT.
1	2	G58312	5/8" x 3-1/2" HDG HEX BOLT GR5		0.40	0.80
2	2	G5802	5/8" x 2" HDG HEX BOLT GR5		0.27	0.54
3	2	G58LW	5/8" HDG LOCKWASHER		0.03	0.05
4	4	G58NUT	5/8" HDG HEAVY 2H HEX NUT		0.13	0.52
5	2	SHK38	3/8" SHACKLE		0.31	0.63
6	1	GC40475	1/4" GR. 40 GALV. CHAIN, 5'		2.70	2.70
					TOTAL WT. #	5.24

NOTE: SOLD SEPARATELY. IN ORDER TO ACHIEVE DUAL LEVEL A SECOND MCHAIN KIT MUST BE PURCHASED.



SHOWN WITH TWO MCHAIN KITS

TOLERANCE NOTES
 TOLERANCES ON DIMENSIONS, UNLESS OTHERWISE NOTED ARE:
 SAWED, SHEARED AND GAS CUT EDGES ($\pm 0.030"$)
 DRILLED AND GAS CUT HOLES ($\pm 0.030"$) - NO CONING OF HOLES
 LASER CUT EDGES AND HOLES ($\pm 0.010"$) - NO CONING OF HOLES
 BENDS ARE $\pm 1/2$ DEGREE
 ALL OTHER MACHINING ($\pm 0.030"$)
 ALL OTHER ASSEMBLY ($\pm 0.060"$)

PROPRIETARY NOTE:
 THE DATA AND TECHNIQUES CONTAINED IN THIS DRAWING ARE PROPRIETARY INFORMATION OF VALMONT INDUSTRIES AND CONSIDERED A TRADE SECRET. ANY USE OR DISCLOSURE WITHOUT THE CONSENT OF VALMONT INDUSTRIES IS STRICTLY PROHIBITED.

DESCRIPTION		ADJUSTABLE ENTRY GUARD AND RAMP RETAINER	
CPD NO.	DRAWN BY	ENG. APPROVAL	
	CEK 7/13/2016		
CLASS	SUB	DRAWING USAGE	CHECKED BY
81	01	CUSTOMER	BMC 7/15/2016

 A valmont COMPANY	Locations: New York, NY Atlanta, GA Los Angeles, CA Plymouth, IN Salem, OR Dallas, TX
	Engineering Support Team: 1-888-753-7446
PART NO.	MCHAIN
DWG. NO.	MCHAIN