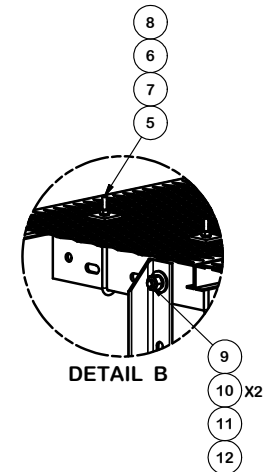
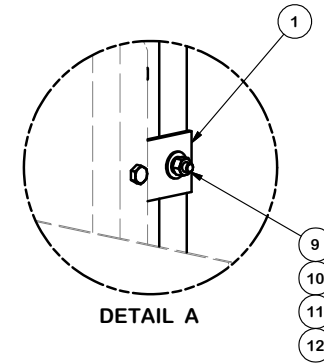


| PARTS LIST | | | | | | |
|------------|-----|----------|--------------------------------------|-----------|--------------------|---------------|
| ITEM | QTY | PART NO. | PART DESCRIPTION | LENGTH | UNIT WT. | NET WT. |
| 1 | 8 | X-MKPS | MODULAR KICKER PLATE STRAIGHT SPLICE | 6 5/16 in | 1.86 | 14.87 |
| 2 | 4 | X-MCOVUP | UPRIGHT SUPPORT FOR MCOV-4 & MCOV-6 | 120 in | 32.17 | 128.68 |
| 3 | 2 | X-MCOV4 | HORIZONTAL SUPPORT ANGLE FOR MCOV-4 | 47 7/8 in | 27.35 | 54.71 |
| 4 | 2 | GRS24 | 24" X 10' GRIP SPAN BRIDGE CHANNEL | | 67.98 | 135.95 |
| 5 | 8 | X-JB8 | J-BOLT, 3/8" X 8" X 6" THREADED | | 0.33 | 2.65 |
| 6 | 8 | G38LW | 3/8" HDG LOCKWASHER | | 0.01 | 0.05 |
| 7 | 8 | SQW38 | 3/8" SQUARE WASHER (GALV.) | 2 in | 0.27 | 2.18 |
| 8 | 8 | G38NUT | 3/8" HDG HEAVY 2H HEX NUT | | 0.03 | 0.27 |
| 9 | 20 | G58134 | 5/8" x 1-3/4" HDG BOLT | 1 3/4 in | 0.27 | 5.38 |
| 10 | 24 | G58FW | 5/8" HDG USS FLATWASHER | 1/8 in | 0.07 | 1.69 |
| 11 | 20 | G58LW | 5/8" HDG LOCKWASHER | | 0.03 | 0.52 |
| 12 | 20 | G58NUT | 5/8" HDG HEAVY 2H HEX NUT | | 0.13 | 2.60 |
| | | | | | TOTAL WT. # | 349.55 |



TOLERANCE NOTES

TOLERANCES ON DIMENSIONS, UNLESS OTHERWISE NOTED ARE:
 SAWED, SHEARED AND GAS CUT EDGES ($\pm 0.030"$)
 DRILLED AND GAS CUT HOLES ($\pm 0.030"$) - NO CONING OF HOLES
 LASER CUT EDGES AND HOLES ($\pm 0.010"$) - NO CONING OF HOLES
 BENDS ARE $\pm 1/2$ DEGREE
 ALL OTHER MACHINING ($\pm 0.030"$)
 ALL OTHER ASSEMBLY ($\pm 0.060"$)

PROPRIETARY NOTE:
 THE DATA AND TECHNIQUES CONTAINED IN THIS DRAWING ARE PROPRIETARY INFORMATION OF VALMONT INDUSTRIES AND CONSIDERED A TRADE SECRET. ANY USE OR DISCLOSURE WITHOUT THE CONSENT OF VALMONT INDUSTRIES IS STRICTLY PROHIBITED.

DESCRIPTION
 4' WIDE X 10' LONG COV
 FOR MODULAR PLATFORM
 HANDRAIL ATTACHMENT



Engineering Support Team:
 1-888-753-7446

Locations:
 New York, NY
 Atlanta, GA
 Los Angeles, CA
 Plymouth, IN
 Salem, OR
 Dallas, TX

| | | |
|---------|---------------|---------------|
| CPD NO. | DRAWN BY | ENG. APPROVAL |
| | CEK 2/12/2016 | |
| CLASS | SUB | DRAWING USAGE |
| 81 | 01 | CUSTOMER |

| | |
|----------|-----------|
| PART NO. | MCOV410-H |
| DWG. NO. | MCOV410-H |