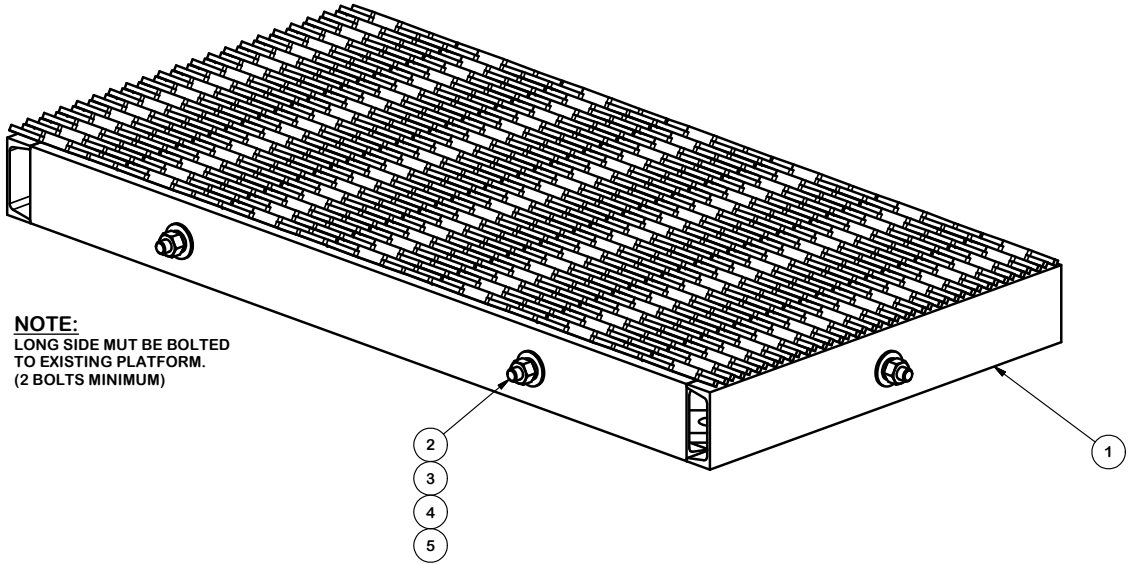


PARTS LIST						
ITEM	QTY	PART NO.	PART DESCRIPTION	LENGTH	UNIT WT.	NET WT.
1	1	X-MEP42	4' X 2' MODULAR EQUIPMENT PLATFORM BASE		114.68	114.68
2	3	G58134	5/8" x 1-3/4" HDG BOLT	1 3/4 in	0.27	0.81
3	3	G58FW	5/8" HDG USS FLATWASHER	1/8 in	0.07	0.21
4	3	G58LW	5/8" HDG LOCKWASHER		0.03	0.08
5	3	G58NUT	5/8" HDG HEAVY 2H HEX NUT		0.13	0.39
					TOTAL WT. #	116.16



NOTE:
LONG SIDE MUST BE BOLTED
TO EXISTING PLATFORM.
(2 BOLTS MINIMUM)

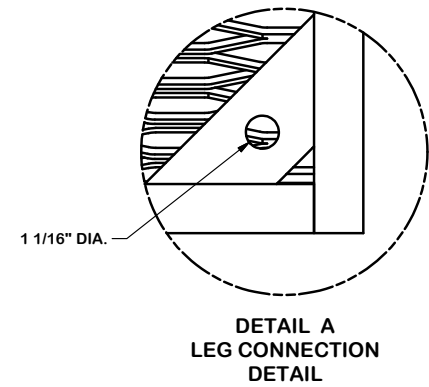
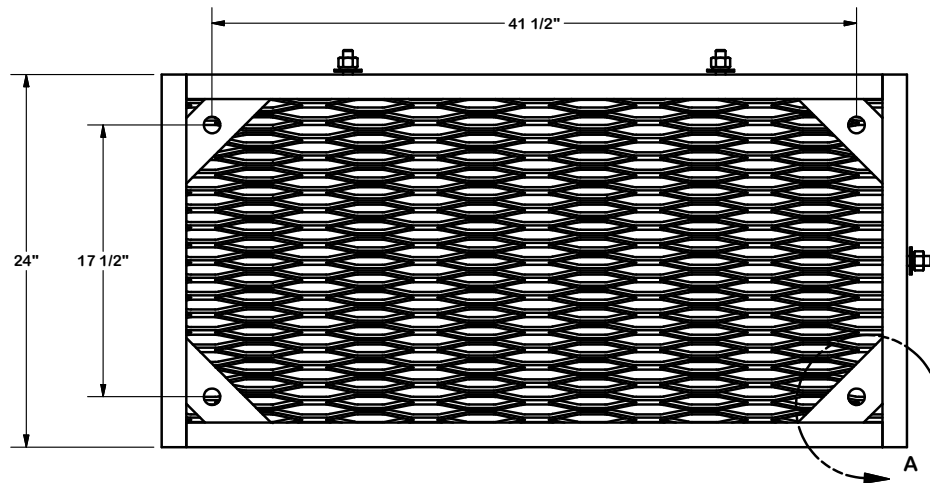
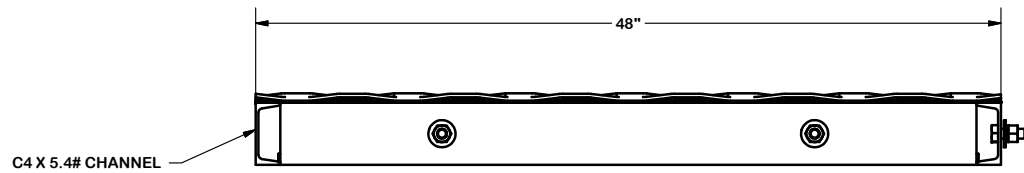
NOTE:
INCLUDES ATTACHMENT HARDWARE
FOR TWO SIDES OF PLATFORM

TOLERANCE NOTES
TOLERANCES ON DIMENSIONS, UNLESS OTHERWISE NOTED ARE:
SAWED, SHEARED AND GAS CUT EDGES ($\pm 0.030"$)
DRILLED AND GAS CUT HOLES ($\pm 0.030"$) - NO CONING OF HOLES
LASER CUT EDGES AND HOLES ($\pm 0.010"$) - NO CONING OF HOLES
BENDS ARE $\pm 1/2$ DEGREE
ALL OTHER MACHINING ($\pm 0.030"$)
ALL OTHER ASSEMBLY ($\pm 0.060"$)

PROPRIETARY NOTE:
THE DATA AND TECHNIQUES CONTAINED IN THIS DRAWING ARE PROPRIETARY INFORMATION OF VALMONT INDUSTRIES AND CONSIDERED A TRADE SECRET. ANY USE OR DISCLOSURE WITHOUT THE CONSENT OF VALMONT INDUSTRIES IS STRICTLY PROHIBITED.

DESCRIPTION		4' X 2' MODULAR EQUIPMENT PLATFORM BASE	
CPD NO.	DRAWN BY	ENG. APPROVAL	
	CEK 1/27/2016		
CLASS	SUB	DRAWING USAGE	CHECKED BY
81	02	CUSTOMER	BMC 3/12/2016

<p>A valmont COMPANY</p>	<p>Locations: New York, NY Atlanta, GA Los Angeles, CA Plymouth, IN Salem, OR Dallas, TX</p>
	<p>Engineering Support Team: 1-888-753-7446</p>
PART NO.	MEP42
DWG. NO.	MEP42



TOLERANCE NOTES

TOLERANCES ON DIMENSIONS, UNLESS OTHERWISE NOTED ARE:
 SAWED, SHEARED AND GAS CUT EDGES ($\pm 0.030"$)
 DRILLED AND GAS CUT HOLES ($\pm 0.030"$) - NO CONING OF HOLES
 LASER CUT EDGES AND HOLES ($\pm 0.010"$) - NO CONING OF HOLES
 BENDS ARE $\pm 1/2$ DEGREE
 ALL OTHER MACHINING ($\pm 0.030"$)
 ALL OTHER ASSEMBLY ($\pm 0.060"$)

PROPRIETARY NOTE:
 THE DATA AND TECHNIQUES CONTAINED IN THIS DRAWING ARE PROPRIETARY INFORMATION OF VALMONT INDUSTRIES AND CONSIDERED A TRADE SECRET. ANY USE OR DISCLOSURE WITHOUT THE CONSENT OF VALMONT INDUSTRIES IS STRICTLY PROHIBITED.

DESCRIPTION

4' X 2' MODULAR
 EQUIPMENT PLATFORM BASE

CPD NO.	DRAWN BY	ENG. APPROVAL
CLASS	DRAWING USAGE	CHECKED BY
81	02	BMC 3/12/2016
	CUSTOMER	



Engineering
 Support Team:
 1-888-753-7446

Locations:
 New York, NY
 Atlanta, GA
 Los Angeles, CA
 Plymouth, IN
 Salem, OR
 Dallas, TX

PART NO.	MEP42
DWG. NO.	MEP42