

PARTS LIST						
ITEM	QTY	PART NO.	PART DESCRIPTION	LENGTH	UNIT WT.	NET WT.
1	2	X-MEP46	4' X 6' MODULAR EQUIPMENT RACK BASE		289.22	578.43
2	2	X-MEP44	4' X 4' MODULAR EQUIPMENT PLATFORM BASE		201.72	403.44
3	2	X-MPOST	SUPPORT POST FOR EQUIPMENT PLATFORM ICE BRIDGE KITS		92.99	185.98
4	1	GRS24	24" X 10' GRIP SPAN BRIDGE CHANNEL		87.48	87.48
5	9	X-MPADS	1' SQAURE MODULAR PLATFORM FOOTPAD		17.50	157.53
6	2	HHD24	24" UNIVERSAL CANTILEVER		14.10	28.20
7	2	X-MBPB	BACKING PLATE FOR X-MPOST	8 in	8.48	16.95
8	4	X-232698	TRPD-HD SUPPORT PLATE - SITE PRO 1	29 1/2 in	8.72	34.89
9	4	SHCM-T	CHAIN MOUNT TIGHTENER BRACKET	3 in	1.86	7.43
10	4	SCP	CLAMP HALF, 1/2" x 5-3/4"		1.29	5.17
11	8	X-UB1358	1/2" X 3-5/8" X 5-1/2" X 3" GALV U-BOLT		0.77	6.18
12	2	PC312	3-1/2" FENCE POST CAP		0.59	1.17
13	4	SPLICE	SPLICE FOR GRIP STRUT	7 3/8 in	0.53	2.12
14	4	X-124312	1/2" X 2" X 2" ANGLE SPACER; WITH 9/16" HOLE	2 in	0.53	2.13
15	9	G1R-12	1" x 12" THREADED ROD (HDG.)	12 in	2.68	24.09
16	18	G1LW	1" LOCK WASHER		0.09	1.70
17	36	G1NUT	1" HDG HEAVY HEX NUT		0.47	16.94
18	9	G58134	5/8" x 1-3/4" HDG BOLT	1 3/4 in	0.27	2.42
19	8	G58312	5/8" x 3-1/2" HDG HEX BOLT GR5		0.40	3.20
20	16	G58FW	5/8" HDG USS FLATWASHER	1/8 in	0.07	1.13
21	17	G58LW	5/8" HDG LOCKWASHER		0.03	0.44
22	17	G58NUT	5/8" HDG HEAVY 2H HEX NUT		0.13	2.21
24	4	G1203	1/2" x 3" HDG HEX BOLT GR5 FULL THREAD	3 in	0.22	0.87
25	4	G1202	1/2" x 2" HDG HEX BOLT GR5	2 in	0.18	0.70
26	16	G12FW	1/2" HDG USS FLATWASHER	3/32 in	0.03	0.55
27	24	G12LW	1/2" HDG LOCKWASHER	1/8 in	0.01	0.33
28	28	G12NUT	1/2" HDG HEAVY 2H HEX NUT		0.07	2.01
29	8	G3803	3/8" x 3" HDG HEX BOLT GR5		0.12	0.97
30	16	G38FW	3/8" HDG USS FLATWASHER		0.01	0.19
31	8	G38LW	3/8" HDG LOCKWASHER		0.01	0.05
32	8	G38NUT	3/8" HDG HEAVY 2H HEX NUT		0.03	0.27
					TOTAL WT. #	1555.60

*** FOR DETAILS SEE PAGE 2 ***

TOLERANCE NOTES

TOLERANCES ON DIMENSIONS, UNLESS OTHERWISE NOTED ARE:
 SAWED, SHEARED AND GAS CUT EDGES ($\pm 0.030"$)
 DRILLED AND GAS CUT HOLES ($\pm 0.030"$) - NO CONING OF HOLES
 LASER CUT EDGES AND HOLES ($\pm 0.010"$) - NO CONING OF HOLES
 BENDS ARE $\pm 1/2$ DEGREE
 ALL OTHER MACHINING ($\pm 0.030"$)
 ALL OTHER ASSEMBLY ($\pm 0.060"$)

PROPRIETARY NOTE:
 THE DATA AND TECHNIQUES CONTAINED IN THIS DRAWING ARE PROPRIETARY INFORMATION OF VALMONT INDUSTRIES AND CONSIDERED A TRADE SECRET. ANY USE OR DISCLOSURE WITHOUT THE CONSENT OF VALMONT INDUSTRIES IS STRICTLY PROHIBITED.

DESCRIPTION
 8' X 10'
 MODULAR EQUIPMENT PLATFORM WITH
 SMALL FOOTPADS AND 10' ICE BRIDGE

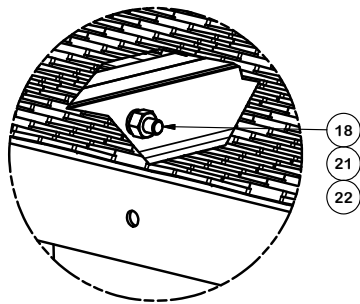
SITE PRO 1
 Engineering Support Team:
 1-888-753-7446

Locations:
 New York, NY
 Atlanta, GA
 Los Angeles, CA
 Plymouth, IN
 Salem, OR
 Dallas, TX

A valmont COMPANY

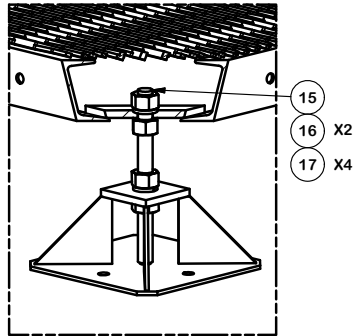
CPD NO.	DRAWN BY CEK 7/7/2016	ENG. APPROVAL
CLASS 81	SUB 02	DRAWING USAGE CUSTOMER
	CHECKED BY BMC 7/8/2016	

PART NO.	MEP810-6SI	PAGE 1 OF 3
DWG. NO.	MEP810-6SI	



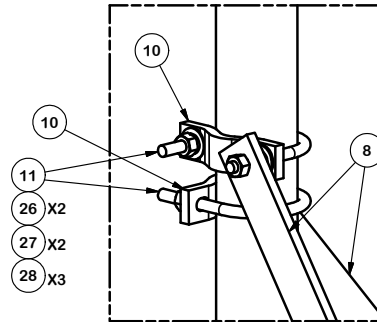
DETAIL A

TYPICAL ALL PLATFORM TO PLATFORM CONNECTIONS



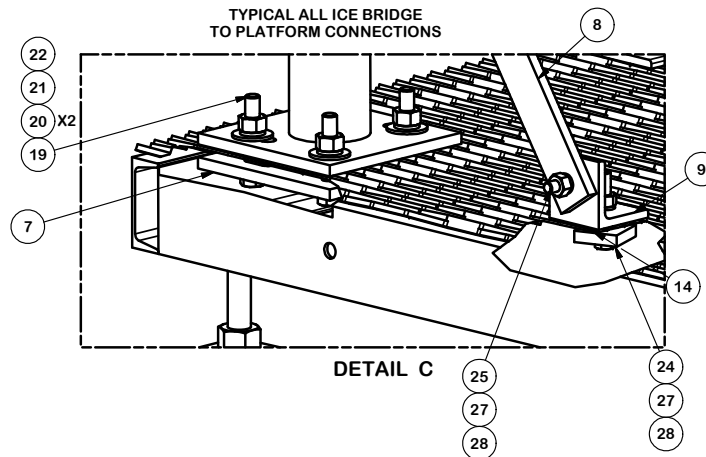
DETAIL B

TYPICAL ALL FOOTPAD TO PLATFORM CONNECTIONS

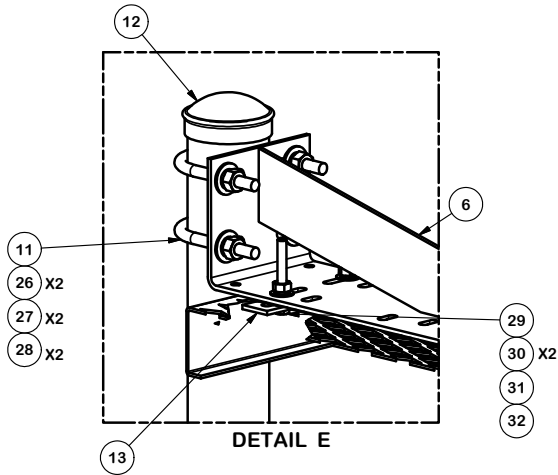


DETAIL D

TYPICAL ALL ICE BRIDGE TO PLATFORM CONNECTIONS



DETAIL C



DETAIL E

TYPICAL ALL GRIPSTRUT TO PLATFORM CONNECTIONS

TOLERANCE NOTES

TOLERANCES ON DIMENSIONS, UNLESS OTHERWISE NOTED ARE:
 SAWED, SHEARED AND GAS CUT EDGES ($\pm 0.030"$)
 DRILLED AND GAS CUT HOLES ($\pm 0.030"$) - NO CONING OF HOLES
 LASER CUT EDGES AND HOLES ($\pm 0.010"$) - NO CONING OF HOLES
 BENDS ARE $\pm 1/2$ DEGREE
 ALL OTHER MACHINING ($\pm 0.030"$)
 ALL OTHER ASSEMBLY ($\pm 0.060"$)

PROPRIETARY NOTE:
 THE DATA AND TECHNIQUES CONTAINED IN THIS DRAWING ARE PROPRIETARY INFORMATION OF VALMONT INDUSTRIES AND CONSIDERED A TRADE SECRET. ANY USE OR DISCLOSURE WITHOUT THE CONSENT OF VALMONT INDUSTRIES IS STRICTLY PROHIBITED.

DESCRIPTION

8' X 10'
 MODULAR EQUIPMENT PLATFORM WITH
 SMALL FOOTPADS AND 10' ICE BRIDGE

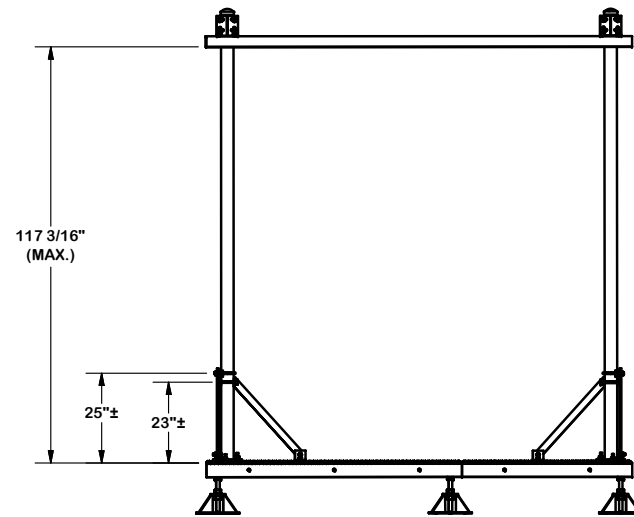
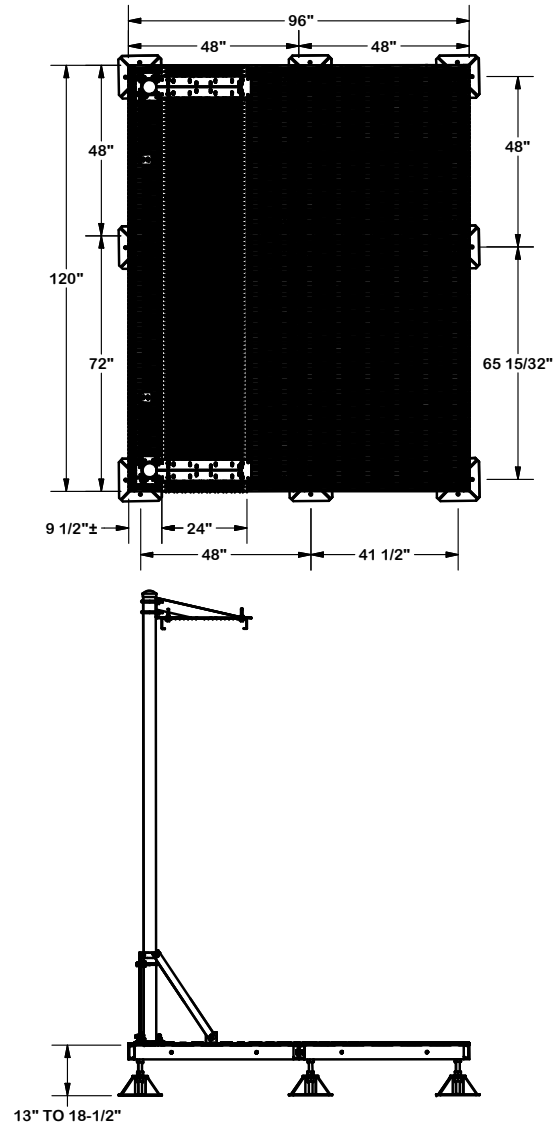
CPD NO.	DRAWN BY CEK	7/7/2016	ENG. APPROVAL
CLASS 81	SUB 02	DRAWING USAGE CUSTOMER	CHECKED BY BMC
			7/8/2016



Engineering
 Support Team:
 1-888-753-7446

Locations:
 New York, NY
 Atlanta, GA
 Los Angeles, CA
 Plymouth, IN
 Salem, OR
 Dallas, TX

PART NO.	MEP810-6SI
DWG. NO.	MEP810-6SI



TOLERANCE NOTES

**TOLERANCES ON DIMENSIONS, UNLESS OTHERWISE NOTED ARE:
 SAWED, SHEARED AND GAS CUT EDGES (± 0.030 ")
 DRILLED AND GAS CUT HOLES (± 0.030 ") - NO CONING OF HOLES
 LASER CUT EDGES AND HOLES (± 0.010 ") - NO CONING OF HOLES
 BENDS ARE $\pm 1/2$ DEGREE
 ALL OTHER MACHINING (± 0.030 ")
 ALL OTHER ASSEMBLY (± 0.060 ")**

**PROPRIETARY NOTE:
 THE DATA AND TECHNIQUES CONTAINED IN THIS DRAWING ARE PROPRIETARY INFORMATION OF VALMONT
 INDUSTRIES AND CONSIDERED A TRADE SECRET. ANY USE OR DISCLOSURE WITHOUT THE CONSENT OF
 VALMONT INDUSTRIES IS STRICTLY PROHIBITED.**

DESCRIPTION
 8' X 10'
 MODULAR EQUIPMENT PLATFORM WITH
 SMALL FOOTPADS AND 10' ICE BRIDGE

CPD NO.	DRAWN BY CEK 7/7/2016	ENG. APPROVAL
CLASS 81	SUB 02	DRAWING USAGE CUSTOMER
	CHECKED BY BMC 7/8/2016	



Engineering
 Support Team:
 1-888-753-7446

Locations:
 New York, NY
 Atlanta, GA
 Los Angeles, CA
 Plymouth, IN
 Salem, OR
 Dallas, TX

PART NO.	MEP810-6SI
DWG. NO.	MEP810-6SI