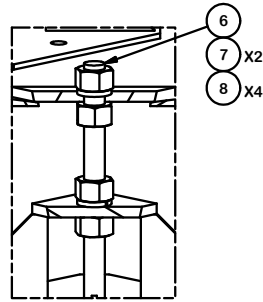


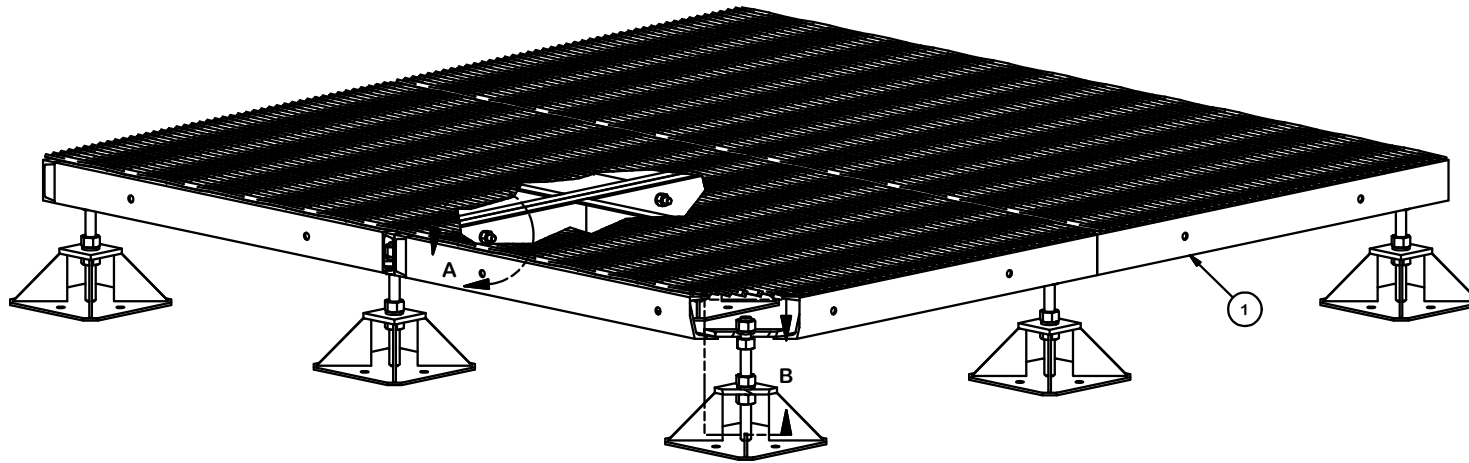
DETAIL A

TYPICAL ALL
PLATFORM TO PLATFORM
CONNECTIONS



DETAIL B

TYPICAL ALL
LEG CONNECTIONS



PARTS LIST						
ITEM	QTY	PART NO.	PART DESCRIPTION	LENGTH	UNIT WT.	NET WT.
1	4	X-MEP44	4' X 4' MODULAR EQUIPMENT PLATFORM BASE		201.72	806.87
2	8	G58134	5/8" x 1-3/4" HDG BOLT	1 3/4 in	0.27	2.15
3	8	G58LW	5/8" HDG LOCKWASHER		0.03	0.21
4	8	G58NUT	5/8" HDG HEAVY 2H HEX NUT		0.13	1.04
5	9	X-MPADS	1' SQAURE MODULAR PLATFORM FOOTPAD		17.50	157.53
6	9	G1R-12	1" x 12" THREADED ROD (HDG.)	12 in	2.68	24.09
7	18	G1LW	1" LOCK WASHER		0.09	1.70
8	36	G1NUT	1" HDG HEAVY HEX NUT		0.47	16.94
					TOTAL WT. #	1010.53

TOLERANCE NOTES

TOLERANCES ON DIMENSIONS, UNLESS OTHERWISE NOTED ARE:
 SAWED, SHEARED AND GAS CUT EDGES ($\pm 0.030"$)
 DRILLED AND GAS CUT HOLES ($\pm 0.030"$) - NO CONING OF HOLES
 LASER CUT EDGES AND HOLES ($\pm 0.010"$) - NO CONING OF HOLES
 BENDS ARE $\pm 1/2$ DEGREE
 ALL OTHER MACHINING ($\pm 0.030"$)
 ALL OTHER ASSEMBLY ($\pm 0.060"$)

PROPRIETARY NOTE:
 THE DATA AND TECHNIQUES CONTAINED IN THIS DRAWING ARE PROPRIETARY INFORMATION OF VALMONT
 INDUSTRIES AND CONSIDERED A TRADE SECRET. ANY USE OR DISCLOSURE WITHOUT THE CONSENT OF
 VALMONT INDUSTRIES IS STRICTLY PROHIBITED.

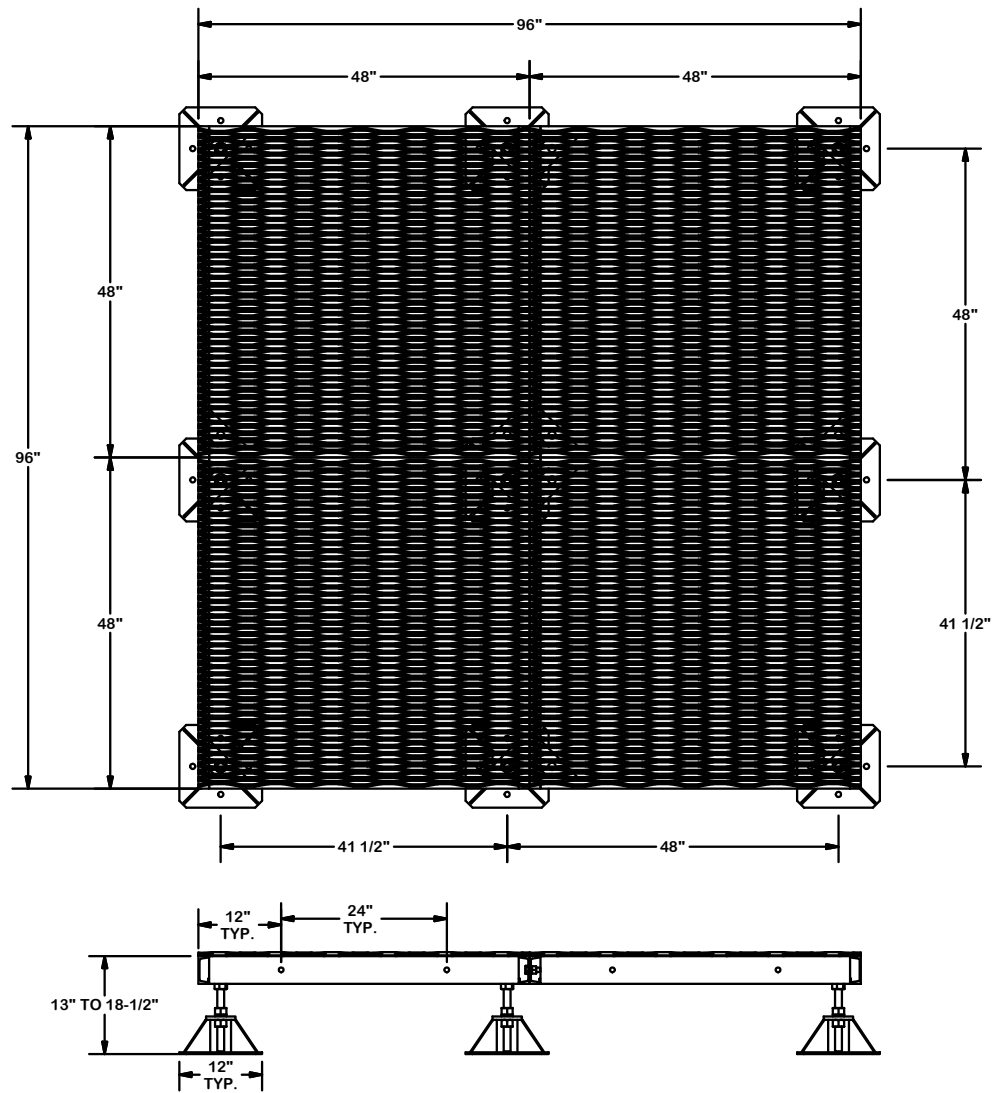
DESCRIPTION
 8' X 8'
 MODULAR EQUIPMENT PLATFORM
 WITH SMALL FOOTPADS

SITE PRO 1
 A valmont COMPANY
 Engineering Support Team:
 1-888-753-7446
 Locations:
 New York, NY
 Atlanta, GA
 Los Angeles, CA
 Plymouth, IN
 Salem, OR
 Dallas, TX

REV	DESCRIPTION OF REVISIONS	CPD	BY	DATE
A	REVISED LEG POSITION		CEK	4/11/2016
REVISION HISTORY				

CPD NO.	DRAWN BY	ENG. APPROVAL
	CEK 3/28/2016	
CLASS	SUB	DRAWING USAGE
81	01	CUSTOMER
CHECKED BY	DATE	
BMC	4/7/2016	

PART NO.	DWG. NO.
MEP88-4S	MEP88-4S



TOLERANCE NOTES

TOLERANCES ON DIMENSIONS, UNLESS OTHERWISE NOTED ARE:
 SAWED, SHEARED AND GAS CUT EDGES ($\pm 0.030"$)
 DRILLED AND GAS CUT HOLES ($\pm 0.030"$) - NO CONING OF HOLES
 LASER CUT EDGES AND HOLES ($\pm 0.010"$) - NO CONING OF HOLES
 BENDS ARE $\pm 1/2$ DEGREE
 ALL OTHER MACHINING ($\pm 0.030"$)
 ALL OTHER ASSEMBLY ($\pm 0.060"$)

PROPRIETARY NOTE:
 THE DATA AND TECHNIQUES CONTAINED IN THIS DRAWING ARE PROPRIETARY INFORMATION OF VALMONT INDUSTRIES AND CONSIDERED A TRADE SECRET. ANY USE OR DISCLOSURE WITHOUT THE CONSENT OF VALMONT INDUSTRIES IS STRICTLY PROHIBITED.

DESCRIPTION
8' X 8'
MODULAR EQUIPMENT PLATFORM
WITH SMALL FOOTPADS

SITE PRO 1
 Engineering Support Team:
 1-888-753-7446

Locations:
 New York, NY
 Atlanta, GA
 Los Angeles, CA
 Plymouth, IN
 Salem, OR
 Dallas, TX

A valmont COMPANY

CPD NO.	DRAWN BY	ENG. APPROVAL
CLASS	DRAWING USAGE	CHECKED BY
81	CUSTOMER	BMC 4/7/2016

PART NO.	MEP88-4S
DWG. NO.	MEP88-4S

REV	DESCRIPTION OF REVISIONS	CPD	BY	DATE
A	REVISED LEG POSITION	CEK	4/11/2016	
REVISION HISTORY				