

** FOR DETAILS, SEE PAGE 2 **

PARTS LIST

| ITEM | QTY | PART NO. | PART DESCRIPTION | LENGTH | UNIT WT. | NET WT. |
|------|-----|----------|---|-----------|-------------|---------|
| 1 | 2 | X-MEP48 | 4' X 8' WELDED EQUIPMENT RACK BASE | | 377.38 | 754.75 |
| 2 | 6 | X-MPADS | 1' SQAURE MODULAR PLATFORM FOOTPAD | | 17.50 | 105.02 |
| 3 | 1 | X-MAW | MODULAR EQUIPMENT PLATFORM ACCESS WELDMENT | | 53.54 | 53.54 |
| 4 | 2 | X-MRAIL2 | 2' HANDRAIL WELDMNT FOR MODULAR EQUIPMENT PLATFORM | | 29.50 | 59.00 |
| 5 | 6 | X-MRAIL4 | 4' HANDRAIL WELDMNT FOR MODULAR EQUIPMENT PLATFORM | | 60.49 | 362.92 |
| 6 | 4 | GRS24 | 24" X 10' GRIP SPAN BRIDGE CHANNEL | | 87.48 | 349.93 |
| 7 | 4 | X-MTRC | MODULAR TOP RAIL CORNER SPLICE | | 1.25 | 5.02 |
| 8 | 8 | X-MKPC | MODULAR KICKER PLATE CORNER SPLICE | 4 in | 1.66 | 13.25 |
| 9 | 5 | X-MTRS | MODULAR TOP RAIL STRAIGHT SPLICE | | 1.88 | 9.39 |
| 10 | 10 | X-MKPS | MODULAR KICKER PLATE STRAIGHT SPLICE | 6 5/16 in | 1.86 | 18.59 |
| 11 | 1 | X-MSWS | WELDED STEP FOR 1 LEVEL MODULAR STEP | | 52.77 | 52.77 |
| 12 | 4 | X-MPOST | SUPPORT POST FOR EQUIPMENT PLATFORM ICE BRIDGE KITS | | 92.99 | 371.97 |
| 13 | 4 | X-MBPB | BACKING PLATE FOR X-MPOST | 8 in | 8.48 | 33.90 |
| 14 | 8 | X-232698 | TRPD-HD SUPPORT PLATE - SITE PRO 1 | 29 1/2 in | 8.72 | 69.77 |
| 15 | 4 | PC312 | 3-1/2" FENCE POST CAP | | 0.59 | 2.34 |
| 16 | 8 | SCP | CLAMP HALF, 1/2" x 5-3/4" | | 1.29 | 10.34 |
| 17 | 8 | SHCM-T | CHAIN MOUNT TIGHTENER BRACKET | 3 in | 1.86 | 14.87 |
| 18 | 16 | X-JB8 | J-BOLT, 3/8" X 8" X 6" THREADED | | 0.33 | 5.29 |
| 19 | 16 | SQW38 | 3/8" SQUARE WASHER | 2 in | 0.29 | 4.63 |
| 20 | 16 | G38LW | 3/8" HDG LOCKWASHER | | 0.01 | 0.11 |
| 21 | 16 | G38NUT | 3/8" HDG HEAVY 2H HEX NUT | | 0.03 | 0.54 |
| 22 | 8 | X-124312 | 1/2" X 2" X 2" ANGLE SPACER; WITH 9/16" HOLE | 2 in | 0.53 | 4.26 |
| 23 | 6 | G1R-12 | 1" x 12" THREADED ROD (HDG.) | 12 in | 2.68 | 16.06 |
| 24 | 12 | G1LW | 1" LOCK WASHER | | 0.09 | 1.13 |
| 25 | 24 | G1NUT | 1" HDG HEAVY HEX NUT | | 0.47 | 11.29 |
| 26 | 16 | G58312 | 5/8" x 3-1/2" HDG HEX BOLT GR5 | | 0.40 | 6.41 |
| 27 | 60 | G58134 | 5/8" x 1-3/4" HDG BOLT | 1 3/4 in | 0.27 | 16.13 |
| 28 | 82 | G58FW | 5/8" HDG USS FLATWASHER | 1/8 in | 0.07 | 5.78 |
| 29 | 76 | G58LW | 5/8" HDG LOCKWASHER | | 0.03 | 1.98 |
| 30 | 76 | G58NUT | 5/8" HDG HEAVY 2H HEX NUT | | 0.13 | 9.87 |
| 31 | 16 | X-UB1358 | 1/2" X 3-5/8" X 5-1/2" X 3" GALV U-BOLT | | 0.77 | 12.36 |
| 32 | 8 | G1203 | 1/2" x 3" HDG HEX BOLT GR5 FULL THREAD | 3 in | 0.22 | 1.74 |
| 33 | 8 | G1202 | 1/2" x 2" HDG HEX BOLT GR5 | 2 in | 0.18 | 1.41 |
| 34 | 32 | G12FW | 1/2" HDG USS FLATWASHER | 3/32 in | 0.03 | 1.09 |
| 35 | 48 | G12LW | 1/2" HDG LOCKWASHER | 1/8 in | 0.01 | 0.67 |
| 36 | 56 | G12NUT | 1/2" HDG HEAVY 2H HEX NUT | | 0.07 | 4.01 |
| 37 | 2 | X-COV8 | 8' HORIZONTAL COV SUPPORT ANGLE | 96 in | 53.00 | 106.00 |
| | | | | | TOTAL WT. # | 2419.69 |

TOLERANCE NOTES

TOLERANCES ON DIMENSIONS, UNLESS OTHERWISE NOTED ARE:
 SAWED, SHEARED AND GAS CUT EDGES ($\pm 0.030"$)
 DRILLED AND GAS CUT HOLES ($\pm 0.030"$) - NO CONING OF HOLES
 LASER CUT EDGES AND HOLES ($\pm 0.010"$) - NO CONING OF HOLES
 BENDS ARE $\pm 1/2$ DEGREE
 ALL OTHER MACHINING ($\pm 0.030"$)
 ALL OTHER ASSEMBLY ($\pm 0.060"$)

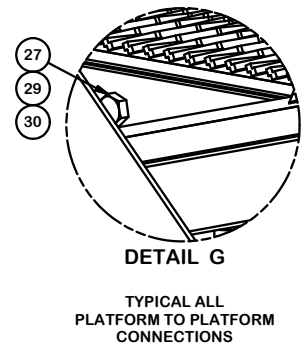
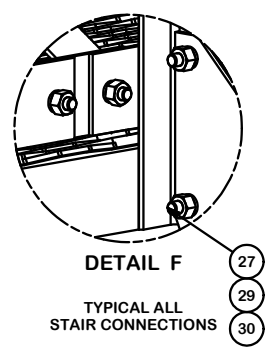
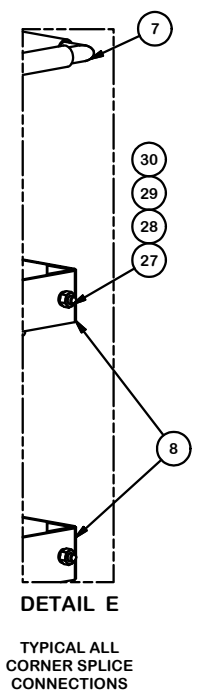
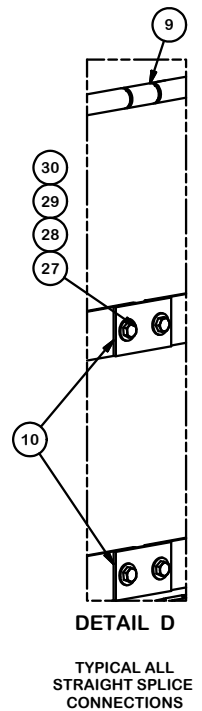
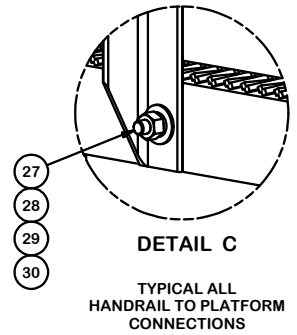
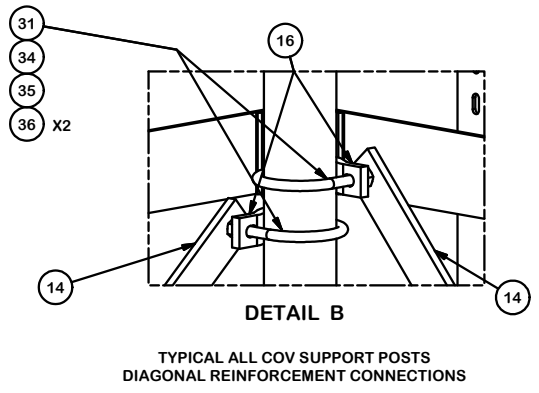
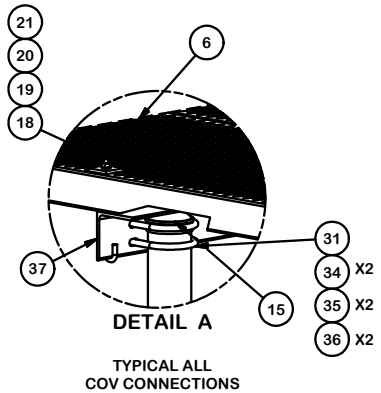
PROPRIETARY NOTE:
 THE DATA AND TECHNIQUES CONTAINED IN THIS DRAWING ARE PROPRIETARY INFORMATION OF VALMONT INDUSTRIES AND CONSIDERED A TRADE SECRET. ANY USE OR DISCLOSURE WITHOUT THE CONSENT OF VALMONT INDUSTRIES IS STRICTLY PROHIBITED.

DESCRIPTION
 8' X 8' MODULAR EQUIPMENT PLATFORM
 WITH SMALL FOOTPADS, 1 STEP
 AND 8' COV

SITE PRO 1
 Engineering Support Team:
 1-888-753-7446
 Locations:
 New York, NY
 Atlanta, GA
 Los Angeles, CA
 Plymouth, IN
 Salem, OR
 Dallas, TX

| | | |
|---------|---------------|----------------|
| CPD NO. | DRAWN BY | ENG. APPROVAL |
| | CEK 12/1/2016 | |
| CLASS | DRAWING USAGE | CHECKED BY |
| 81 | CUSTOMER | BMC 12/13/2016 |

| | |
|----------------|--------|
| PART NO. | 1 OF 4 |
| MEP88-8SH32S1C | |
| DWG. NO. | |
| MEP88-8SH32S1C | |

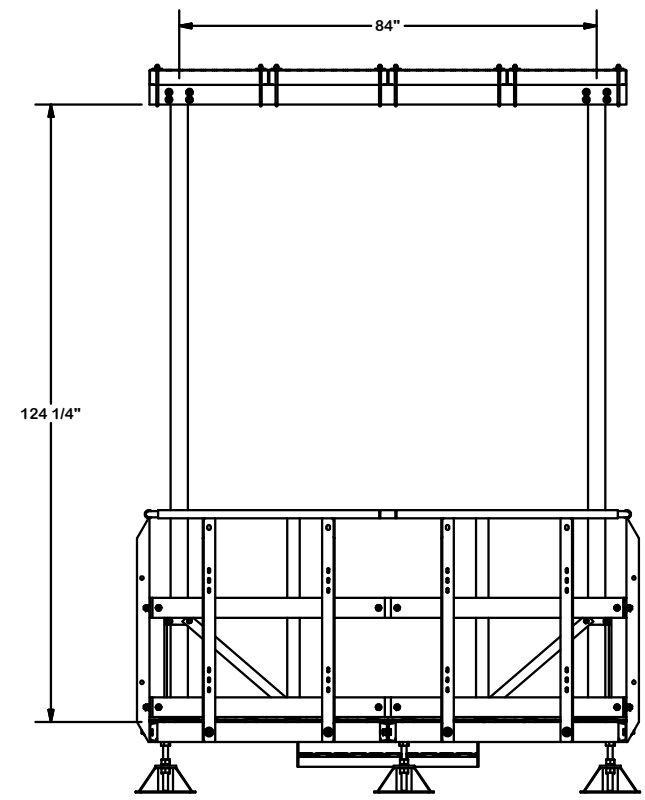
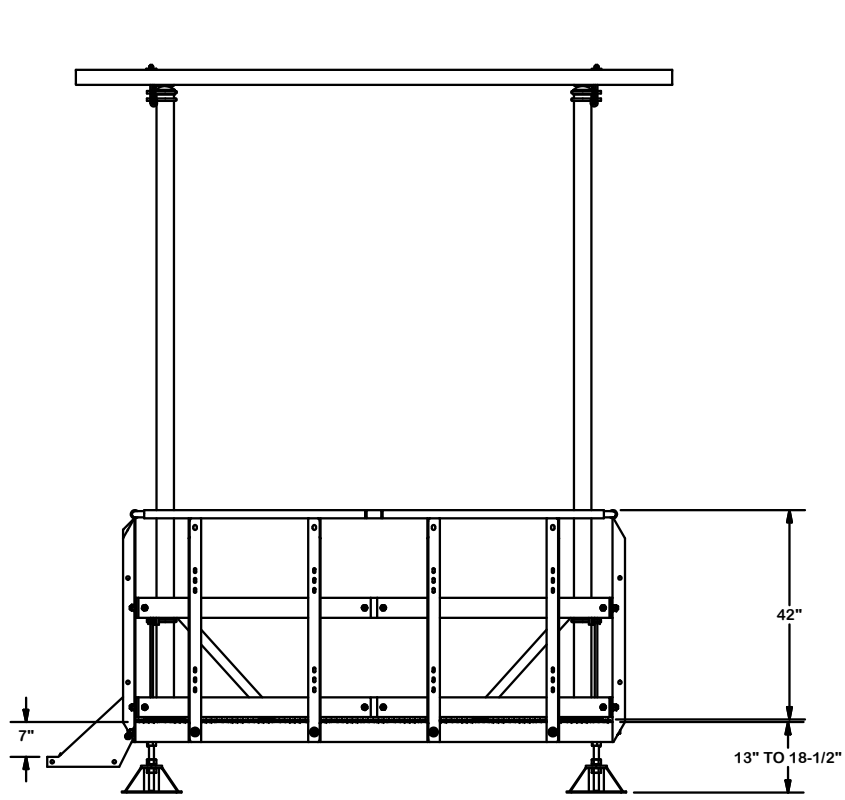


TOLERANCE NOTES
 TOLERANCES ON DIMENSIONS, UNLESS OTHERWISE NOTED ARE:
 SAWED, SHEARED AND GAS CUT EDGES ($\pm 0.030"$)
 DRILLED AND GAS CUT HOLES ($\pm 0.030"$) - NO CONING OF HOLES
 LASER CUT EDGES AND HOLES ($\pm 0.010"$) - NO CONING OF HOLES
 BENDS ARE $\pm 1/2$ DEGREE
 ALL OTHER MACHINING ($\pm 0.030"$)
 ALL OTHER ASSEMBLY ($\pm 0.060"$)

PROPRIETARY NOTE:
 THE DATA AND TECHNIQUES CONTAINED IN THIS DRAWING ARE PROPRIETARY INFORMATION OF VALMONT INDUSTRIES AND CONSIDERED A TRADE SECRET. ANY USE OR DISCLOSURE WITHOUT THE CONSENT OF VALMONT INDUSTRIES IS STRICTLY PROHIBITED.

| | | | | | |
|---|----|---------------|----------------|---------------|--|
| DESCRIPTION | | DRAWN BY | | ENG. APPROVAL | |
| 8' X 8' MODULAR EQUIPMENT PLATFORM WITH SMALL FOOTPADS, 1 STEP AND 8' COV | | CEK 12/1/2016 | | | |
| CPD NO. | | DRAWING USAGE | CHECKED BY | | |
| 81 | 02 | CUSTOMER | BMC 12/13/2016 | | |

| | | | |
|-----------------------|---|------|--------|
| A valmont COMPANY | Locations: New York, NY Atlanta, GA Los Angeles, CA Plymouth, IN Salem, OR Dallas, TX | | |
| | Engineering Support Team: 1-888-753-7446 | | |
| PART NO. | MEP88-8SH32S1C | PAGE | 2 OF 4 |
| DWG. NO. | MEP88-8SH32S1C | | |



TOLERANCE NOTES

**TOLERANCES ON DIMENSIONS, UNLESS OTHERWISE NOTED ARE:
 SAWED, SHEARED AND GAS CUT EDGES ($\pm 0.030"$)
 DRILLED AND GAS CUT HOLES ($\pm 0.030"$) - NO CONING OF HOLES
 LASER CUT EDGES AND HOLES ($\pm 0.010"$) - NO CONING OF HOLES
 BENDS ARE $\pm 1/2$ DEGREE
 ALL OTHER MACHINING ($\pm 0.030"$)
 ALL OTHER ASSEMBLY ($\pm 0.060"$)**

**PROPRIETARY NOTE:
 THE DATA AND TECHNIQUES CONTAINED IN THIS DRAWING ARE PROPRIETARY INFORMATION OF VALMONT
 INDUSTRIES AND CONSIDERED A TRADE SECRET. ANY USE OR DISCLOSURE WITHOUT THE CONSENT OF
 VALMONT INDUSTRIES IS STRICTLY PROHIBITED.**

DESCRIPTION
 8' X 8' MODULAR EQUIPMENT PLATFORM
 WITH SMALL FOOTPADS, 1 STEP
 AND 8' COV

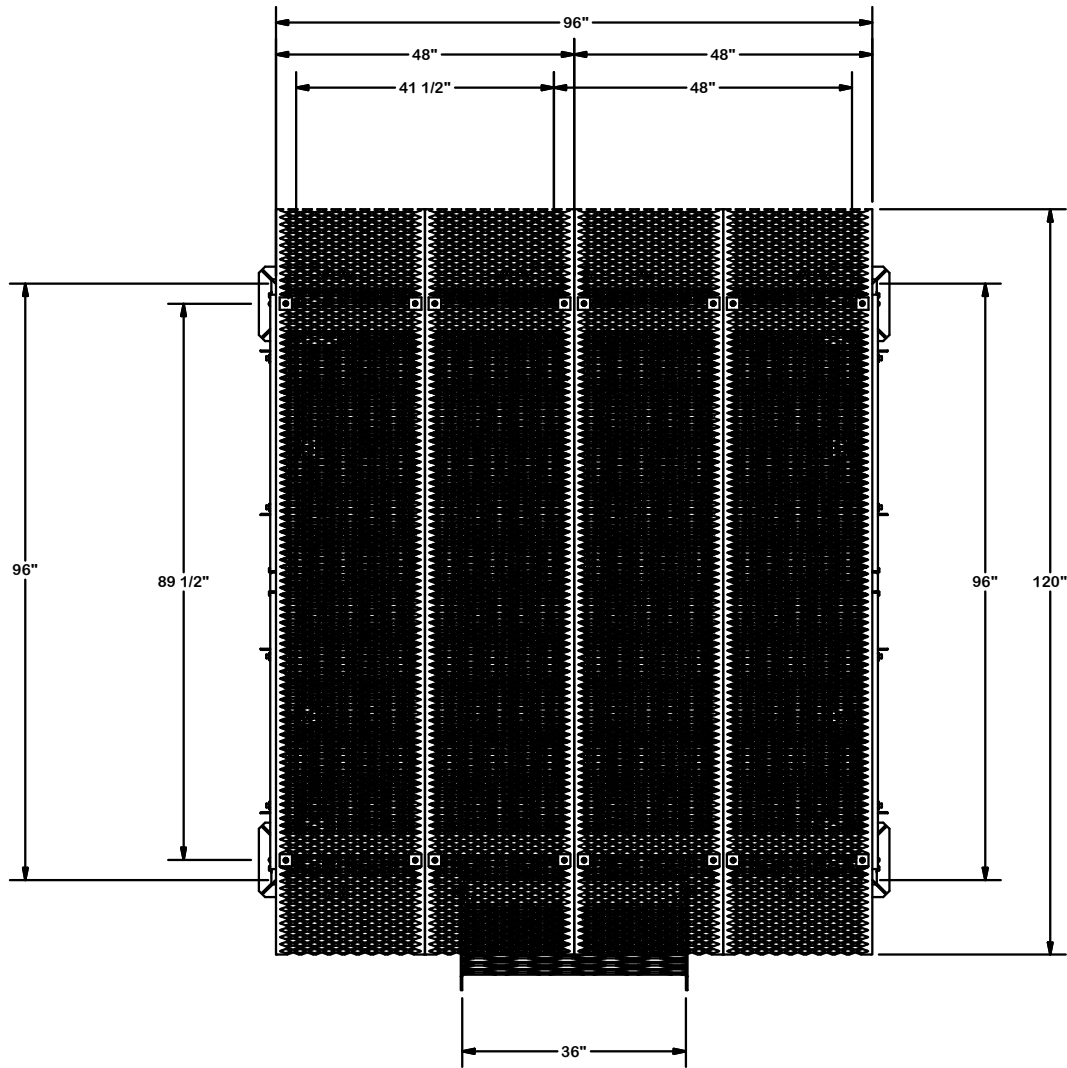


Locations:
 New York, NY
 Atlanta, GA
 Los Angeles, CA
 Plymouth, IN
 Salem, OR
 Dallas, TX

Engineering Support Team:
 1-888-753-7446

| | | |
|---------|---------------|----------------|
| CPD NO. | DRAWN BY | ENG. APPROVAL |
| CLASS | DRAWING USAGE | CHECKED BY |
| 81 | 02 | BMC 12/13/2016 |
| | CUSTOMER | |

| | |
|----------------|--------|
| PART NO. | 3 OF 4 |
| MEP88-8SH32S1C | PAGE |
| DWG. NO. | |
| MEP88-8SH32S1C | |



TOLERANCE NOTES

TOLERANCES ON DIMENSIONS, UNLESS OTHERWISE NOTED ARE:
 SAWED, SHEARED AND GAS CUT EDGES ($\pm 0.030"$)
 DRILLED AND GAS CUT HOLES ($\pm 0.030"$) - NO CONING OF HOLES
 LASER CUT EDGES AND HOLES ($\pm 0.010"$) - NO CONING OF HOLES
 BENDS ARE $\pm 1/2$ DEGREE
 ALL OTHER MACHINING ($\pm 0.030"$)
 ALL OTHER ASSEMBLY ($\pm 0.060"$)

PROPRIETARY NOTE:
 THE DATA AND TECHNIQUES CONTAINED IN THIS DRAWING ARE PROPRIETARY INFORMATION OF VALMONT INDUSTRIES AND CONSIDERED A TRADE SECRET. ANY USE OR DISCLOSURE WITHOUT THE CONSENT OF VALMONT INDUSTRIES IS STRICTLY PROHIBITED.

DESCRIPTION
 8' X 8' MODULAR EQUIPMENT PLATFORM
 WITH SMALL FOOTPADS, 1 STEP
 AND 8' COV



Locations:
 New York, NY
 Atlanta, GA
 Los Angeles, CA
 Plymouth, IN
 Salem, OR
 Dallas, TX
 Engineering Support Team:
 1-888-753-7446

A valmont COMPANY

| | | |
|---------|---------------|----------------|
| CPD NO. | DRAWN BY | ENG. APPROVAL |
| 81 | CEK 12/1/2016 | |
| CLASS | DRAWING USAGE | CHECKED BY |
| 81 | CUSTOMER | BMC 12/13/2016 |

| | |
|----------|----------------|
| PART NO. | MEP88-8SH32S1C |
| DWG. NO. | MEP88-8SH32S1C |