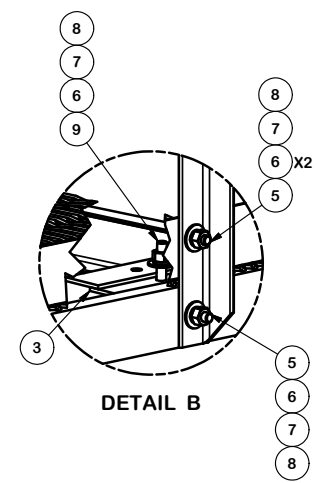
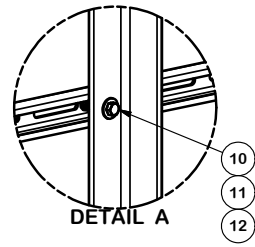


PARTS LIST						
ITEM	QTY	PART NO.	PART DESCRIPTION	LENGTH	UNIT WT.	NET WT.
1	4	X-MCOVUP	UPRIGHT SUPPORT FOR MCOV-4 & MCOV-6	120 in	32.17	128.68
2	2	X-MCOV4	HORIZONTAL SUPPORT ANGLE FOR MCOV-4	47 7/8 in	27.35	54.71
3	4	X-MUPBP	BACKING PLATE FOR X-MCOVUP		4.46	17.84
4	2	UNT10	UNISTRUT		20.38	40.76
5	8	G58134	5/8" x 1-3/4" HDG BOLT	1 3/4 in	0.27	2.15
6	16	G58FW	5/8" HDG USS FLATWASHER	1/8 in	0.07	1.13
7	12	G58LW	5/8" HDG LOCKWASHER	5/32 in	0.03	0.31
8	12	G58NUT	5/8" HDG HEAVY 2H HEX NUT	5/8 in	0.13	1.56
9	4	G58234	5/8" UNC HEX BOLT (A325)	2 3/4 in	0.36	1.42
10	8	G38112	3/8" x 1-1/2" HDG HEX BOLT GR5		0.07	0.57
11	8	G38FW	3/8" HDG USS FLATWASHER		0.01	0.09
12	8	SP158	SPRING NUT FOR 1-5/8" STRUT		0.10	0.82
					<b>TOTAL WT. #</b>	<b>207.79</b>



**TOLERANCE NOTES**

TOLERANCES ON DIMENSIONS, UNLESS OTHERWISE NOTED ARE:  
 SAWED, SHEARED AND GAS CUT EDGES ( $\pm 0.030"$ )  
 DRILLED AND GAS CUT HOLES ( $\pm 0.030"$ ) - NO CONING OF HOLES  
 LASER CUT EDGES AND HOLES ( $\pm 0.010"$ ) - NO CONING OF HOLES  
 BENDS ARE  $\pm 1/2$  DEGREE  
 ALL OTHER MACHINING ( $\pm 0.030"$ )  
 ALL OTHER ASSEMBLY ( $\pm 0.060"$ )

PROPRIETARY NOTE:  
 THE DATA AND TECHNIQUES CONTAINED IN THIS DRAWING ARE PROPRIETARY INFORMATION OF VALMONT INDUSTRIES AND CONSIDERED A TRADE SECRET. ANY USE OR DISCLOSURE WITHOUT THE CONSENT OF VALMONT INDUSTRIES IS STRICTLY PROHIBITED.

DESCRIPTION  
**8' H-FRAME  
 FOR MODULAR PLATFORM  
 DIRECT PLATFORM ATTACHMENT**

**SITE PRO 1**  
 Engineering Support Team:  
 1-888-753-7446

Locations:  
 New York, NY  
 Atlanta, GA  
 Los Angeles, CA  
 Plymouth, IN  
 Salem, OR  
 Dallas, TX

CPD NO.	DRAWN BY <b>CEK</b>	ENG. APPROVAL
CLASS <b>81</b>	SUB <b>01</b>	DRAWING USAGE <b>CUSTOMER</b>
	CHECKED BY <b>BMC</b>	DATE <b>3/13/2016</b>

PART NO. <b>MER8-P</b>	PAGE <b>1 OF 1</b>
DWG. NO. <b>MER8-P</b>	