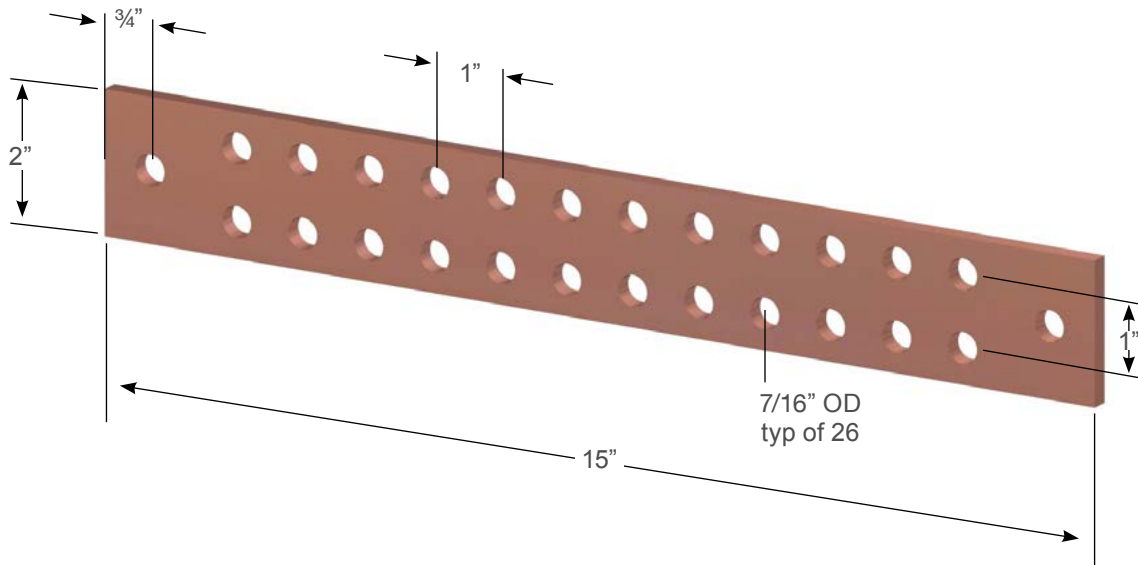


2" x 15" Double Ground Bar (MG21524)



Features:

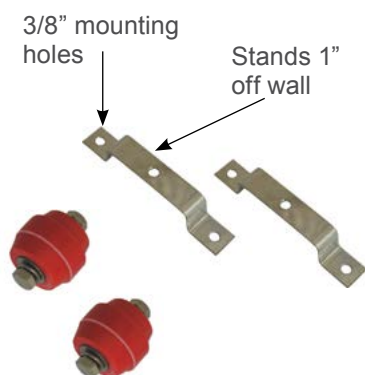
- The 2" x 15" Double accepts up to twelve 3/8" two-hole lugs (1" spacing)
- MG21524 is ground bar only; MG21524-K kit includes ground bar, stainless steel mounting brackets, and insulators

Construction:

- Constructed from 1/4" x 2" x 15" C110 copper
- Sanded after manufacture

Design Criteria:

- Can be used outdoors or indoors
- Options include mounting hardware and tin plating



Kits include:

- Complete kits include 304 stainless steel mounting brackets and insulators rated 600 Volts