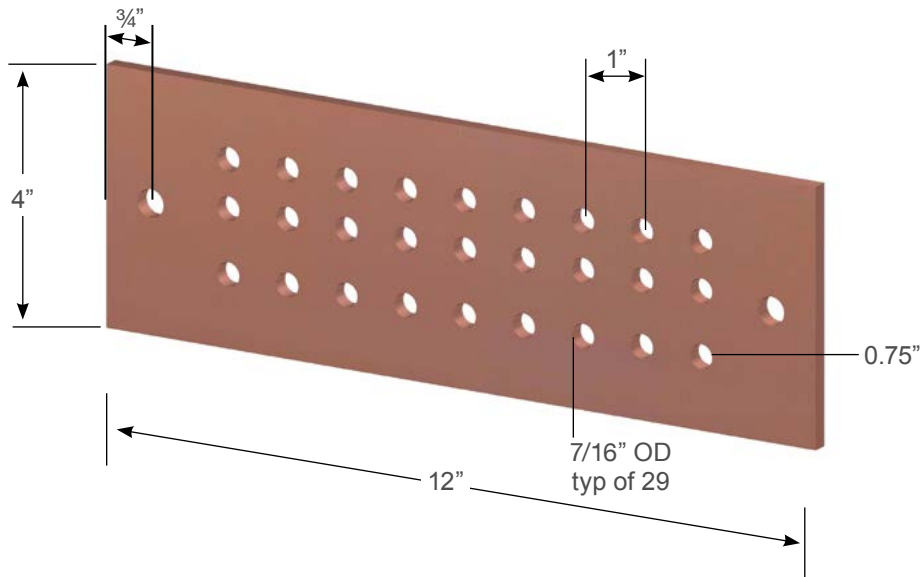


## MAX 12" Ground Bar (MG41227)



### Features:

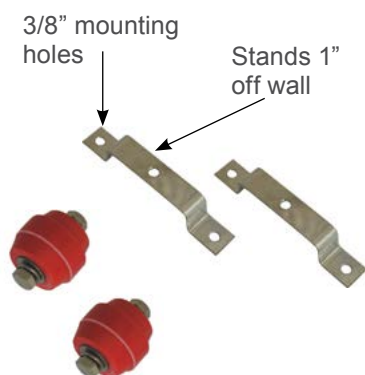
- The MAX 12" offers universal hole spacing for 3/8" lugs
- Accepts a total of nine runs with two-hole lugs (1" spacing)
- MG41227 is ground bar only; MG41227-K kit includes ground bar, stainless steel mounting brackets, and insulators

### Construction

- Constructed from 1/4" x 4" x 12" C110 copper
- Sanded after manufacture

### Design Criteria

- Can be used outdoors or indoors
- Options include mounting hardware and tin plating



### Kits include:

- Complete kits include 304 stainless steel mounting brackets and insulators rated 600 Volts