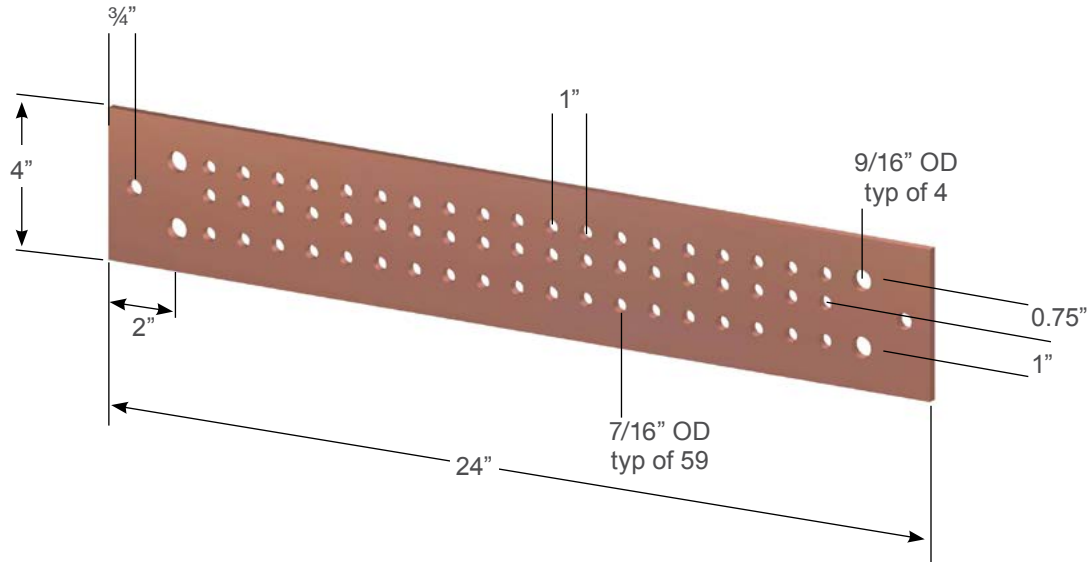


MAX 24" Ground Bar (MG42461)



Features:

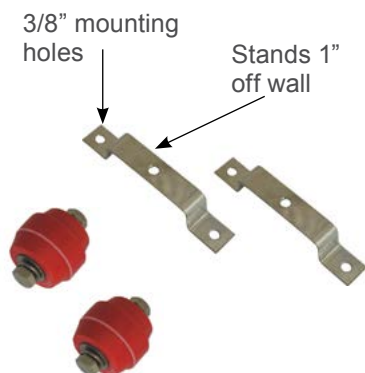
- The MAX 24" offers universal hole spacing for 3/8" lugs
- 57 holes allow up to 19 runs with two-hole lugs, 4 additional 1/2" holes are spaced 1-3/4" apart
- Universal hole pattern can accept two-hole lugs with 0.750", 0.815", or 1" spacing
- MG42461 is ground bar only; MG42461-K kit includes ground bar, stainless steel mounting brackets, and insulators

Construction

- Constructed from 1/4" x 4" x 24" C110 copper
- Sanded after manufacture

Design Criteria

- Can be used outdoors or indoors
- Options include mounting hardware and tin plating



Kits include:

- Complete kits include 304 stainless steel mounting brackets and insulators rated 600 Volts