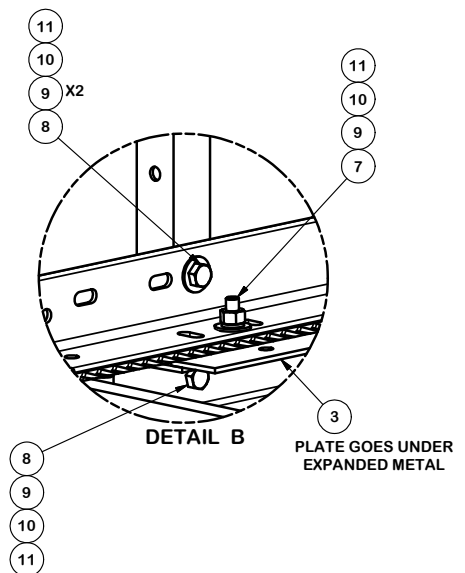
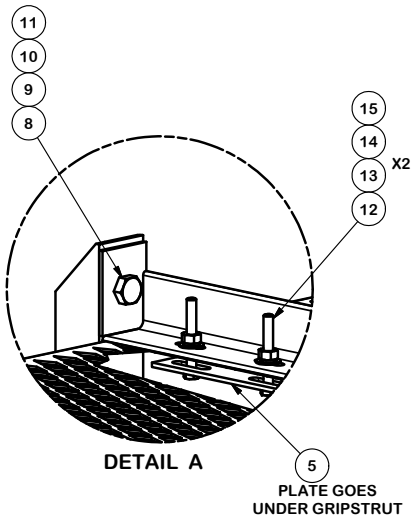


PARTS LIST						
ITEM	QTY	PART NO.	PART DESCRIPTION	LENGTH	UNIT WT.	NET WT.
1	4	X-MCOVUP	UPRIGHT SUPPORT FOR MCOV-4 & MCOV-6	120 in	32.17	128.68
2	2	X-MCOV4	HORIZONTAL SUPPORT ANGLE FOR MCOV-4	47 7/8 in	27.35	54.71
3	4	X-MUPBP	BACKING PLATE FOR X-MCOVUP		4.46	17.84
4	4	X-MHHD24	MODULAR PLATFORM ICE BRIDGE SUPPORT BRACKET		8.84	35.35
5	8	SPLICE	SPLICE FOR GRIP STRUT	7 3/8 in	0.53	4.24
6	1	GRS24	24" X 10' GRIP SPAN BRIDGE CHANNEL		67.98	67.98
7	4	G58234	5/8" UNC HEX BOLT (A325)	2 3/4 in	0.36	1.42
8	12	G58134	5/8" x 1-3/4" HDG BOLT	1 3/4 in	0.27	3.23
9	20	G58FW	5/8" HDG USS FLATWASHER	1/8 in	0.07	1.41
10	16	G58LW	5/8" HDG LOCKWASHER	5/32 in	0.03	0.42
11	16	G58NUT	5/8" HDG HEAVY 2H HEX NUT	5/8 in	0.13	2.08
12	16	G3803	3/8" x 3" HDG HEX BOLT GR5		0.12	1.94
13	32	G38FW	3/8" HDG USS FLATWASHER		0.01	0.38
14	16	G38LW	3/8" HDG LOCKWASHER		0.01	0.11
15	16	G38NUT	3/8" HDG HEAVY 2H HEX NUT		0.03	0.54
					TOTAL WT. #	319.81



**TOLERANCE NOTES**

TOLERANCES ON DIMENSIONS, UNLESS OTHERWISE NOTED ARE:  
 SAWED, SHEARED AND GAS CUT EDGES ( $\pm 0.030"$ )  
 DRILLED AND GAS CUT HOLES ( $\pm 0.030"$ ) - NO CONING OF HOLES  
 LASER CUT EDGES AND HOLES ( $\pm 0.010"$ ) - NO CONING OF HOLES  
 BENDS ARE  $\pm 1/2$  DEGREE  
 ALL OTHER MACHINING ( $\pm 0.030"$ )  
 ALL OTHER ASSEMBLY ( $\pm 0.060"$ )

PROPRIETARY NOTE:  
 THE DATA AND TECHNIQUES CONTAINED IN THIS DRAWING ARE PROPRIETARY INFORMATION OF VALMONT INDUSTRIES AND CONSIDERED A TRADE SECRET. ANY USE OR DISCLOSURE WITHOUT THE CONSENT OF VALMONT INDUSTRIES IS STRICTLY PROHIBITED.

DESCRIPTION  
 24" X 10' ICE BRIDGE  
 FOR MODULAR PLATFORM  
 DIRECT PLATFORM ATTACHMENT

**SITE PRO 1**  
 Engineering Support Team:  
 1-888-753-7446

Locations:  
 New York, NY  
 Atlanta, GA  
 Los Angeles, CA  
 Plymouth, IN  
 Salem, OR  
 Dallas, TX

CPD NO.	DRAWN BY CEK	3/7/2016	ENG. APPROVAL
CLASS 81	SUB 01	DRAWING USAGE CUSTOMER	CHECKED BY BMC 3/13/2016

PART NO.	MIB-2410-P
DWG. NO.	MIB-2410-P