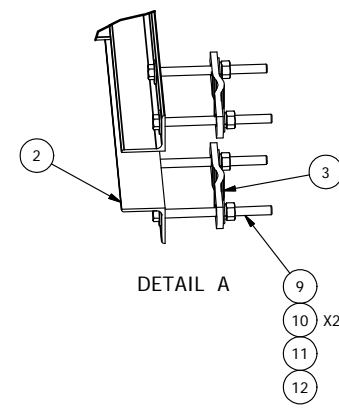
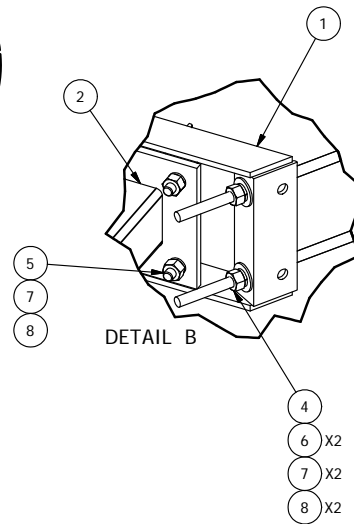


PARTS LIST						
ITEM	QTY	PART NO.	PART DESCRIPTION	LENGTH	UNIT WT.	NET WT.
1	3	X-UGLM	MINI RING MOUNT WELDMENT		21.67	65.00
2	3	X-LSM	15" ANGLE STANDOFF ARM		40.04	120.11
3	12	X-115765	5" V-CLAMP		1.02	12.22
4	6	G58R-14	5/8" x 14" THREADED ROD (HDG.)		1.22	7.32
4	6	G58R-24	5/8" x 24" THREADED ROD (HDG.)		2.09	12.54
5	12	G5802	5/8" x 2" HDG HEX BOLT GR5		0.27	3.26
6	12	G58FW	5/8" HDG USS FLATWASHER		0.07	0.85
7	24	G58LW	5/8" HDG LOCKWASHER		0.03	0.63
8	24	G58NUT	5/8" HDG HEAVY 2H HEX NUT		0.13	3.12
9	24	G12065	1/2" x 6-1/2" HDG HEX BOLT GR5 FULL THREAD	6 1/2 in	0.41	9.83
10	48	G12FW	1/2" HDG USS FLATWASHER		0.03	1.64
11	24	G12LW	1/2" HDG LOCKWASHER		0.01	0.33
12	24	G12NUT	1/2" HDG HEAVY 2H HEX NUT		0.07	1.72
					TOTAL WT. #	237.73

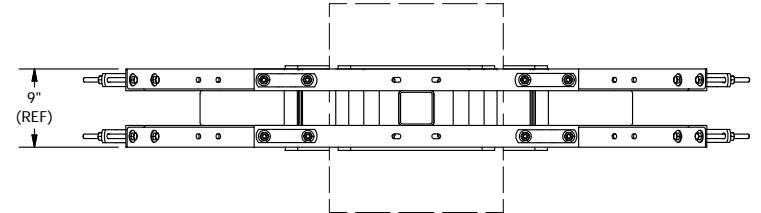
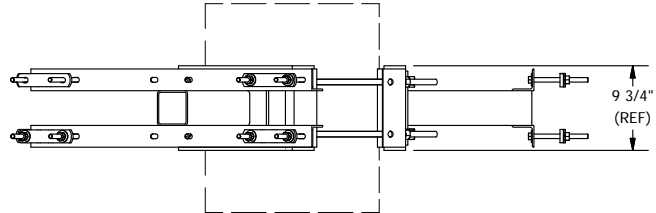
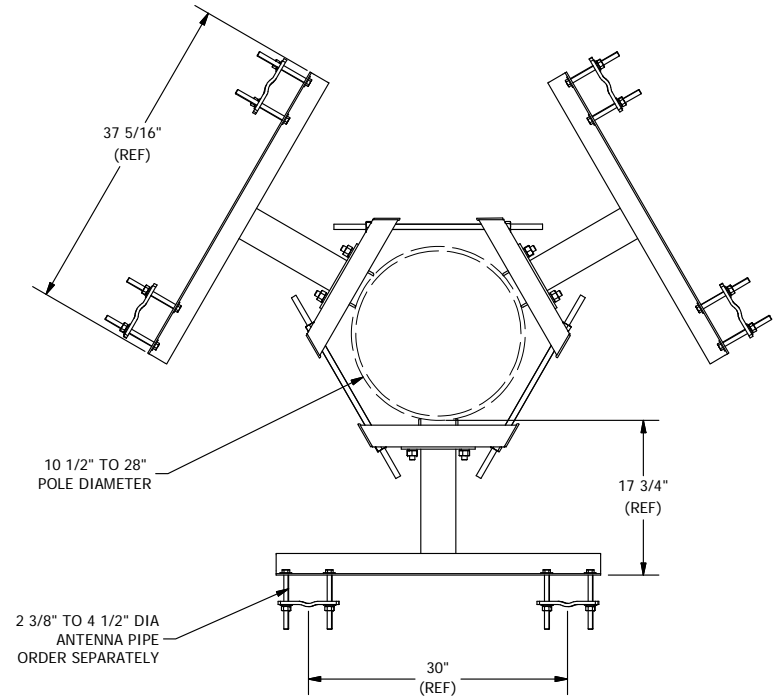
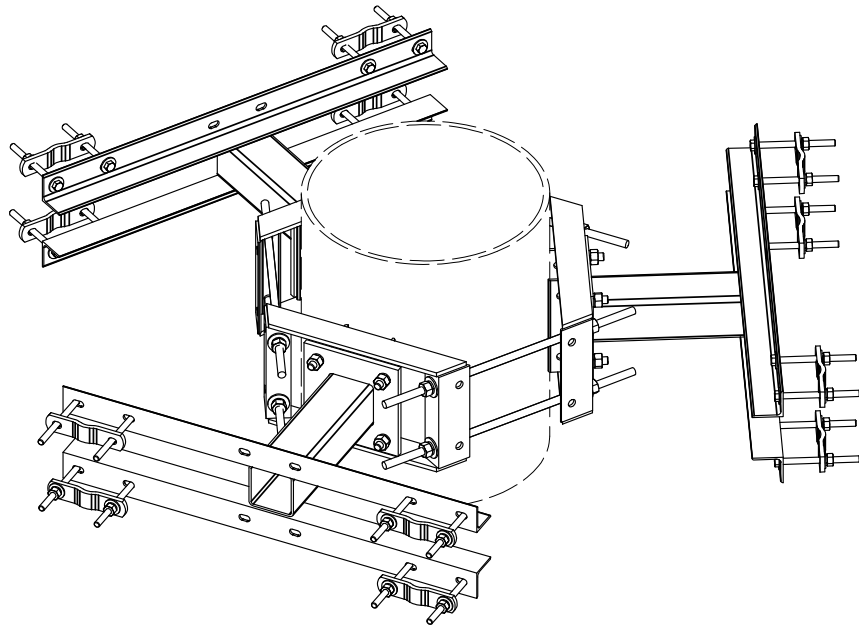


TOLERANCE NOTES
TOLERANCES ON DIMENSIONS, UNLESS OTHERWISE NOTED ARE:
SAWED, SHEARED AND GAS CUT EDGES ($\pm 0.030"$)
DRILLED AND GAS CUT HOLES ($\pm 0.030"$) - NO CONING OF HOLES
LASER CUT EDGES AND HOLES ($\pm 0.010"$) - NO CONING OF HOLES
BENDS ARE $\pm 1/2$ DEGREE
ALL OTHER MACHINING ($\pm 0.030"$)
ALL OTHER ASSEMBLY ($\pm 0.060"$)

PROPRIETARY NOTE:
 THE DATA AND TECHNIQUES CONTAINED IN THIS DRAWING ARE PROPRIETARY INFORMATION OF VALMONT INDUSTRIES AND CONSIDERED A TRADE SECRET. ANY USE OR DISCLOSURE WITHOUT THE CONSENT OF VALMONT INDUSTRIES IS STRICTLY PROHIBITED.

DESCRIPTION	
ANGLE STANDOFF ARM MONOPOLE ASSEMBLY	
CPD NO. 4924	DRAWN BY KC8 5/22/2012
CLASS 81	SUB 01
DRAWING USAGE CUSTOMER	ENG. APPROVAL CEK 8/17/2012

 A valmont COMPANY	Locations: New York, NY Atlanta, GA Los Angeles, CA Plymouth, IN Salem, OR Dallas, TX
	Engineering Support Team: 1-888-753-7446
PART NO.	MP-LSM
DWG. NO.	MP-LSM



TOLERANCE NOTES

**TOLERANCES ON DIMENSIONS, UNLESS OTHERWISE NOTED ARE:
 SAWED, SHEARED AND GAS CUT EDGES (± 0.030)
 DRILLED AND GAS CUT HOLES (± 0.030) - NO CONING OF HOLES
 LASER CUT EDGES AND HOLES (± 0.010) - NO CONING OF HOLES
 BENDS ARE $\pm 1/2$ DEGREE
 ALL OTHER MACHINING (± 0.030)
 ALL OTHER ASSEMBLY (± 0.060)**

PROPRIETARY NOTE:
 THE DATA AND TECHNIQUES CONTAINED IN THIS DRAWING ARE PROPRIETARY INFORMATION OF VALMONT INDUSTRIES AND CONSIDERED A TRADE SECRET. ANY USE OR DISCLOSURE WITHOUT THE CONSENT OF VALMONT INDUSTRIES IS STRICTLY PROHIBITED.

DESCRIPTION
**ANGLE STANDOFF ARM
 MONOPOLE ASSEMBLY**

CPD NO. 4924	DRAWN BY KC8 5/22/2012	ENG. APPROVAL
CLASS 81	SUB 01	DRAWING USAGE CUSTOMER
CHECKED BY CEK 8/17/2012		

SITE PRO 1
 A valmont COMPANY
 Locations:
 New York, NY
 Atlanta, GA
 Los Angeles, CA
 Plymouth, IN
 Salem, OR
 Dallas, TX
 Engineering Support Team:
 1-888-753-7446

PART NO. MP-LSM	PAGE 2 OF 2
DWG. NO. MP-LSM	