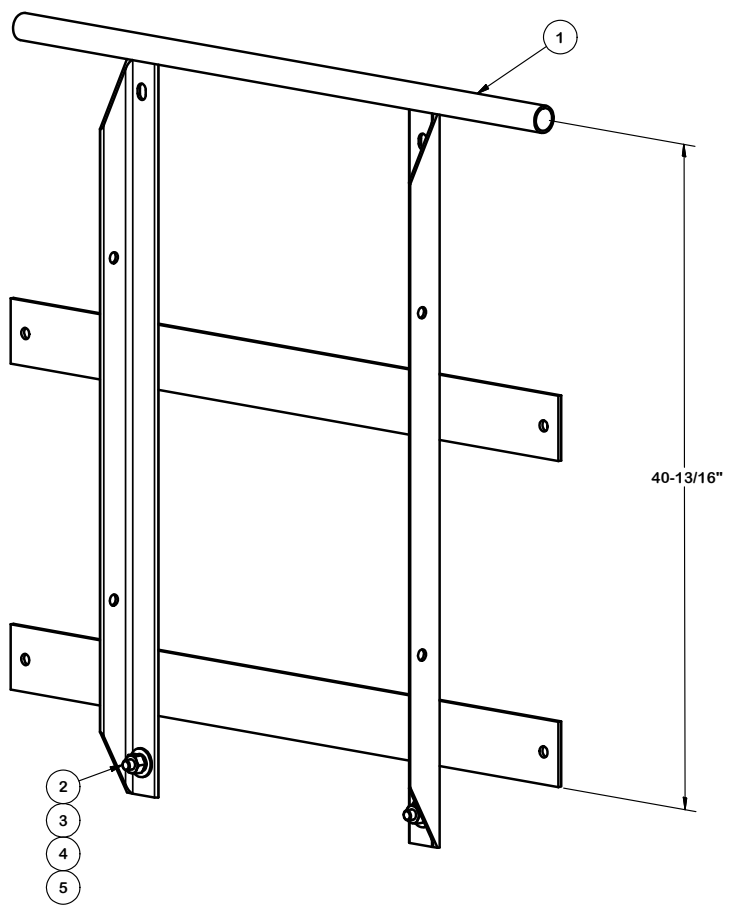


PARTS LIST						
ITEM	QTY	PART NO.	PART DESCRIPTION	LENGTH	UNIT WT.	NET WT.
1	1	X-MRAIL4	4' HANDRAIL WELDMENT FOR MODULAR EQUIPMENT PLATFORM		60.49	60.49
2	2	G58134	5/8" x 1-3/4" HDG BOLT	1 3/4 in	0.27	0.54
3	2	G58FW	5/8" HDG USS FLATWASHER	1/8 in	0.07	0.14
4	2	G58LW	5/8" HDG LOCKWASHER	5/32 in	0.03	0.05
5	2	G58NUT	5/8" HDG HEAVY 2H HEX NUT	5/8 in	0.13	0.26
					TOTAL WT. #	64.44




TOLERANCE NOTES

TOLERANCES ON DIMENSIONS, UNLESS OTHERWISE NOTED ARE:
 SAWED, SHEARED AND GAS CUT EDGES ($\pm 0.030"$)
 DRILLED AND GAS CUT HOLES ($\pm 0.030"$) - NO CONING OF HOLES
 LASER CUT EDGES AND HOLES ($\pm 0.010"$) - NO CONING OF HOLES
 BENDS ARE $\pm 1/2$ DEGREE
 ALL OTHER MACHINING ($\pm 0.030"$)
 ALL OTHER ASSEMBLY ($\pm 0.060"$)

PROPRIETARY NOTE:
 THE DATA AND TECHNIQUES CONTAINED IN THIS DRAWING ARE PROPRIETARY INFORMATION OF VALMONT INDUSTRIES AND CONSIDERED A TRADE SECRET. ANY USE OR DISCLOSURE WITHOUT THE CONSENT OF VALMONT INDUSTRIES IS STRICTLY PROHIBITED.

DESCRIPTION		4' HANDRAIL FOR MODULAR EQUIPMENT PLATFORM	
CPD NO.	DRAWN BY	ENG. APPROVAL	
	CEK 8/12/2015		
CLASS	SUB	DRAWING USAGE	CHECKED BY
81	02	CUSTOMER	BMC 3/13/2016

 A valmont COMPANY	Locations: New York, NY Atlanta, GA Los Angeles, CA Plymouth, IN Salem, OR Dallas, TX
	Engineering Support Team: 1-888-753-7446
PART NO.	MRAIL-4
DWG. NO.	MRAIL-4