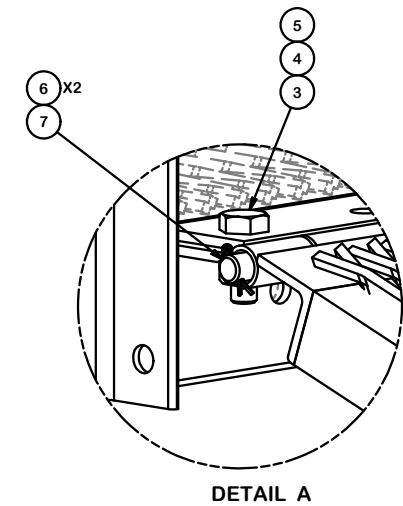
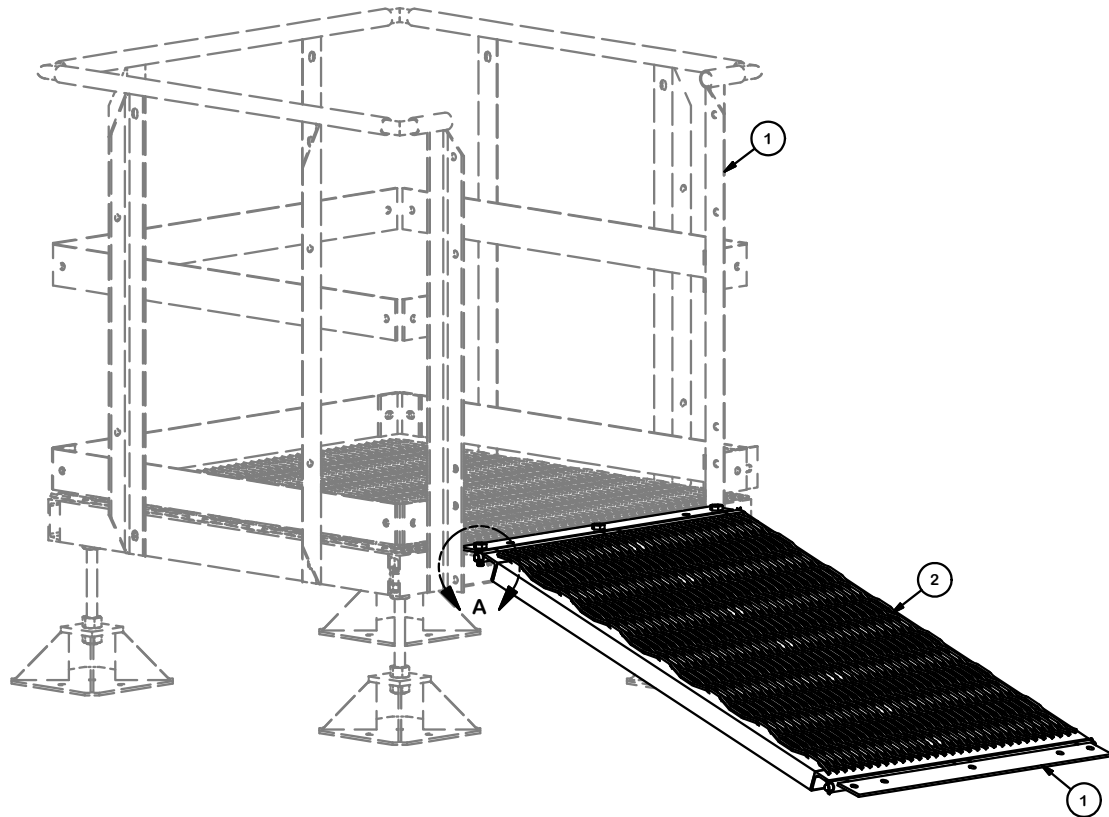


| PARTS LIST         |     |          |                                   |          |          |               |
|--------------------|-----|----------|-----------------------------------|----------|----------|---------------|
| ITEM               | QTY | PART NO. | PART DESCRIPTION                  | LENGTH   | UNIT WT. | NET WT.       |
| 1                  | 2   | X-MRH    | MODULAR RAMP HINGE                |          | 10.61    | 21.22         |
| 2                  | 1   | X-MRAMP5 | 5' MODULAR PLATFORM RAMP WELDMENT |          | 132.59   | 132.59        |
| 3                  | 3   | G58134   | 5/8" x 1-3/4" HDG BOLT            | 1 3/4 in | 0.27     | 0.81          |
| 4                  | 3   | G58LW    | 5/8" HDG LOCKWASHER               | 5/32 in  | 0.03     | 0.08          |
| 5                  | 3   | G58NUT   | 5/8" HDG HEAVY 2H HEX NUT         | 5/8 in   | 0.13     | 0.39          |
| 6                  | 4   | CP181    | COTTER PIN                        |          | 0.00     | 0.02          |
| 7                  | 2   | X-MRHP   | MODULAR RAMP HINGE PIN            |          | 4.07     | 8.14          |
| <b>TOTAL WT. #</b> |     |          |                                   |          |          | <b>163.24</b> |



**TOLERANCE NOTES**

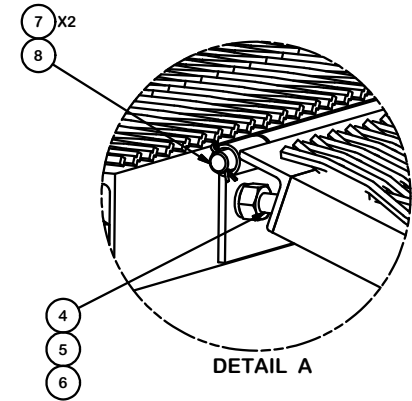
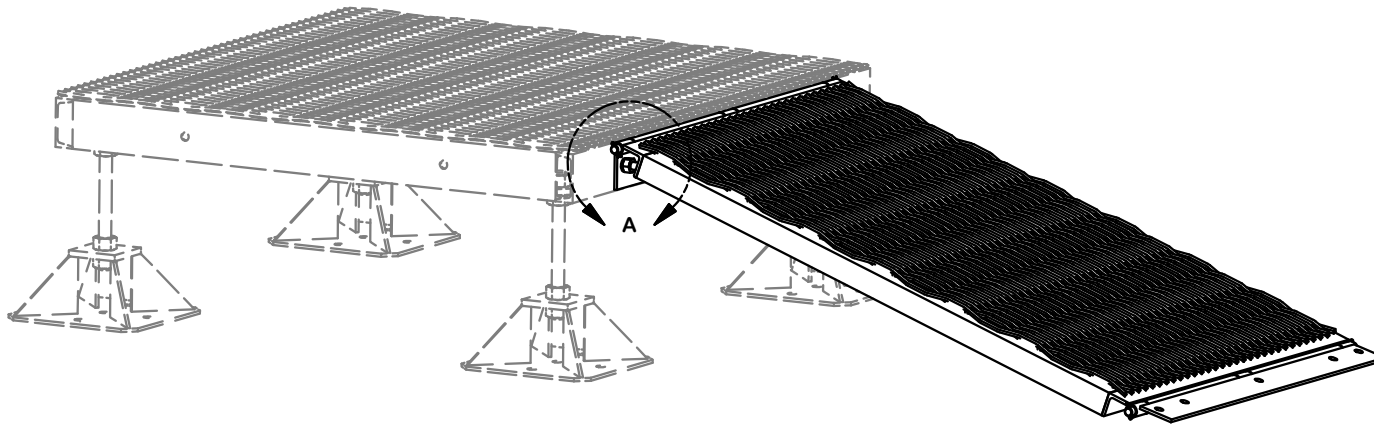
**TOLERANCES ON DIMENSIONS, UNLESS OTHERWISE NOTED ARE:**  
**SAWED, SHEARED AND GAS CUT EDGES ( $\pm 0.030"$ )**  
**DRILLED AND GAS CUT HOLES ( $\pm 0.030"$ ) - NO CONING OF HOLES**  
**LASER CUT EDGES AND HOLES ( $\pm 0.010"$ ) - NO CONING OF HOLES**  
**BENDS ARE  $\pm 1/2$  DEGREE**  
**ALL OTHER MACHINING ( $\pm 0.030"$ )**  
**ALL OTHER ASSEMBLY ( $\pm 0.060"$ )**

PROPRIETARY NOTE:  
 THE DATA AND TECHNIQUES CONTAINED IN THIS DRAWING ARE PROPRIETARY INFORMATION OF VALMONT INDUSTRIES AND CONSIDERED A TRADE SECRET. ANY USE OR DISCLOSURE WITHOUT THE CONSENT OF VALMONT INDUSTRIES IS STRICTLY PROHIBITED.

| DESCRIPTION                                    |          |               |               |
|--|----------|---------------|---------------|
| <b>WORK EQUIPMENT PLATFORM<br/>RAMP OPTION</b> |          |               |               |
| CPD NO.  | DRAWN BY | ENG. APPROVAL |               |
|  | CEK      | 2/2/2016      |               |
| CLASS  | SUB      | DRAWING USAGE | CHECKED BY    |
| 81   | 01       | CUSTOMER      | BMC 3/13/2016 |

|                              |   |  |
|------------------------------|---|--|
| <br><b>A valmont COMPANY</b> | <b>MRAMP-5</b>  | <small>Locations:<br/>         New York, NY<br/>         Atlanta, GA<br/>         Los Angeles, CA<br/>         Plymouth, IN<br/>         Salem, OR<br/>         Dallas, TX</small> |
|                              | <small>Engineering<br/>         Support Team:<br/>         1-888-753-7446</small> |  |
| PART NO.                     |   | <b>MRAMP-5</b>   |
| DWG. NO.                     |   |  |
|                              |   | <b>MRAMP-5</b>   |

| PARTS LIST |     |          |                                   |          |             |         |
|------------|-----|----------|-----------------------------------|----------|-------------|---------|
| ITEM       | QTY | PART NO. | PART DESCRIPTION                  | LENGTH   | UNIT WT.    | NET WT. |
| 2          | 2   | X-MRH    | MODULAR RAMP HINGE                |          | 10.61       | 21.22   |
| 3          | 1   | X-MRAMP5 | 5' MODULAR PLATFORM RAMP WELDMENT |          | 132.59      | 132.59  |
| 4          | 2   | G58134   | 5/8" x 1-3/4" HDG BOLT            | 1 3/4 in | 0.27        | 0.54    |
| 5          | 2   | G58LW    | 5/8" HDG LOCKWASHER               | 5/32 in  | 0.03        | 0.05    |
| 6          | 2   | G58NUT   | 5/8" HDG HEAVY 2H HEX NUT         | 5/8 in   | 0.13        | 0.26    |
| 7          | 4   | CP181    | COTTER PIN                        |          | 0.00        | 0.02    |
| 8          | 2   | X-MRHP   | MODULAR RAMP HINGE PIN            |          | 4.07        | 8.14    |
|            |     |          |                                   |          | TOTAL WT. # | 162.36  |



**TOLERANCE NOTES**

TOLERANCES ON DIMENSIONS, UNLESS OTHERWISE NOTED ARE:  
 SAWED, SHEARED AND GAS CUT EDGES ( $\pm 0.030"$ )  
 DRILLED AND GAS CUT HOLES ( $\pm 0.030"$ ) - NO CONING OF HOLES  
 LASER CUT EDGES AND HOLES ( $\pm 0.010"$ ) - NO CONING OF HOLES  
 BENDS ARE  $\pm 1/2$  DEGREE  
 ALL OTHER MACHINING ( $\pm 0.030"$ )  
 ALL OTHER ASSEMBLY ( $\pm 0.060"$ )

PROPRIETARY NOTE:  
 THE DATA AND TECHNIQUES CONTAINED IN THIS DRAWING ARE PROPRIETARY INFORMATION OF VALMONT INDUSTRIES AND CONSIDERED A TRADE SECRET. ANY USE OR DISCLOSURE WITHOUT THE CONSENT OF VALMONT INDUSTRIES IS STRICTLY PROHIBITED.

DESCRIPTION  
**WORK EQUIPMENT PLATFORM  
 RAMP OPTION**

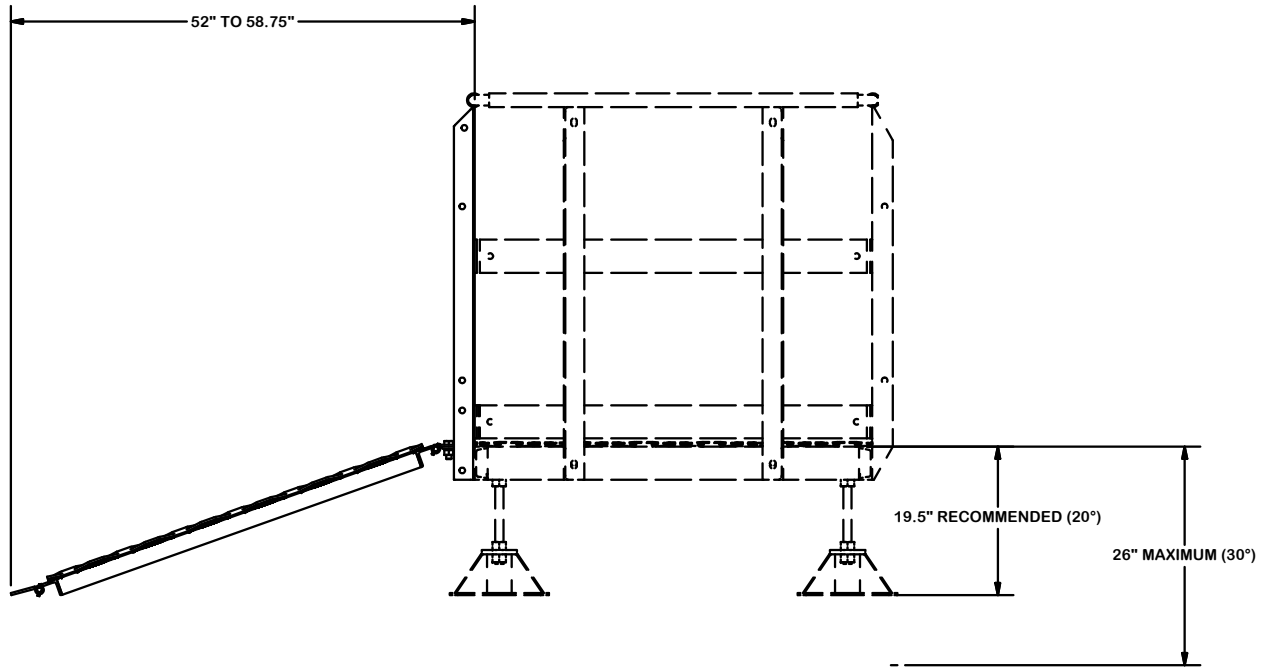
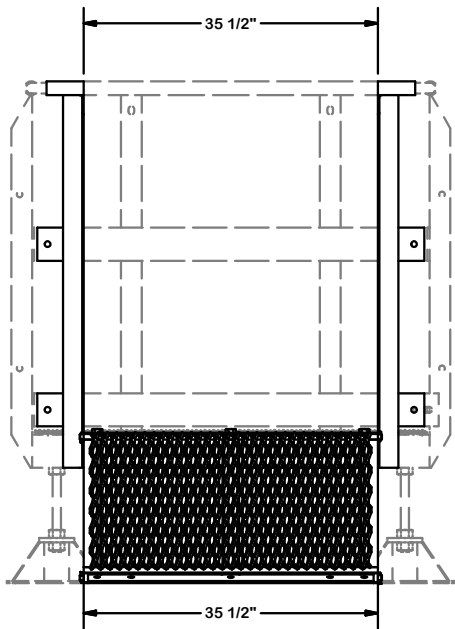
|             |                 |                           |                             |
|-------------|-----------------|---------------------------|-----------------------------|
| CPD NO.     | DRAWN BY<br>CEK | 2/2/2016                  | ENG. APPROVAL               |
| CLASS<br>81 | SUB<br>01       | DRAWING USAGE<br>CUSTOMER | CHECKED BY<br>BMC 3/13/2016 |



Locations:  
 New York, NY  
 Atlanta, GA  
 Los Angeles, CA  
 Plymouth, IN  
 Salem, OR  
 Dallas, TX

Engineering  
 Support Team:  
 1-888-753-7446

|          |                |                |
|----------|----------------|----------------|
| PART NO. | <b>MRAMP-5</b> | PAGE<br>2 OF 3 |
| DWG. NO. | <b>MRAMP-5</b> |                |



**TOLERANCE NOTES**

TOLERANCES ON DIMENSIONS, UNLESS OTHERWISE NOTED ARE:  
 SAWED, SHEARED AND GAS CUT EDGES ( $\pm 0.030"$ )  
 DRILLED AND GAS CUT HOLES ( $\pm 0.030"$ ) - NO CONING OF HOLES  
 LASER CUT EDGES AND HOLES ( $\pm 0.010"$ ) - NO CONING OF HOLES  
 BENDS ARE  $\pm 1/2$  DEGREE  
 ALL OTHER MACHINING ( $\pm 0.030"$ )  
 ALL OTHER ASSEMBLY ( $\pm 0.060"$ )

PROPRIETARY NOTE:  
 THE DATA AND TECHNIQUES CONTAINED IN THIS DRAWING ARE PROPRIETARY INFORMATION OF VALMONT INDUSTRIES AND CONSIDERED A TRADE SECRET. ANY USE OR DISCLOSURE WITHOUT THE CONSENT OF VALMONT INDUSTRIES IS STRICTLY PROHIBITED.

DESCRIPTION  
**WORK EQUIPMENT PLATFORM  
 RAMP OPTION**

|             |                 |                           |                             |
|-------------|-----------------|---------------------------|-----------------------------|
| CPD NO.     | DRAWN BY<br>CEK | 2/2/2016                  | ENG. APPROVAL               |
| CLASS<br>81 | SUB<br>01       | DRAWING USAGE<br>CUSTOMER | CHECKED BY<br>BMC 3/13/2016 |

**SITE PRO 1**  
 A valmont COMPANY

Engineering Support Team:  
 1-888-753-7446

Locations:  
 New York, NY  
 Atlanta, GA  
 Los Angeles, CA  
 Plymouth, IN  
 Salem, OR  
 Dallas, TX

|          |                |      |        |
|----------|----------------|------|--------|
| PART NO. | <b>MRAMP-5</b> | PAGE | 3 OF 3 |
| DWG. NO. | <b>MRAMP-5</b> |      |        |